

Specification Guide

mFurnace™

Manufactured Home Electric Furnace



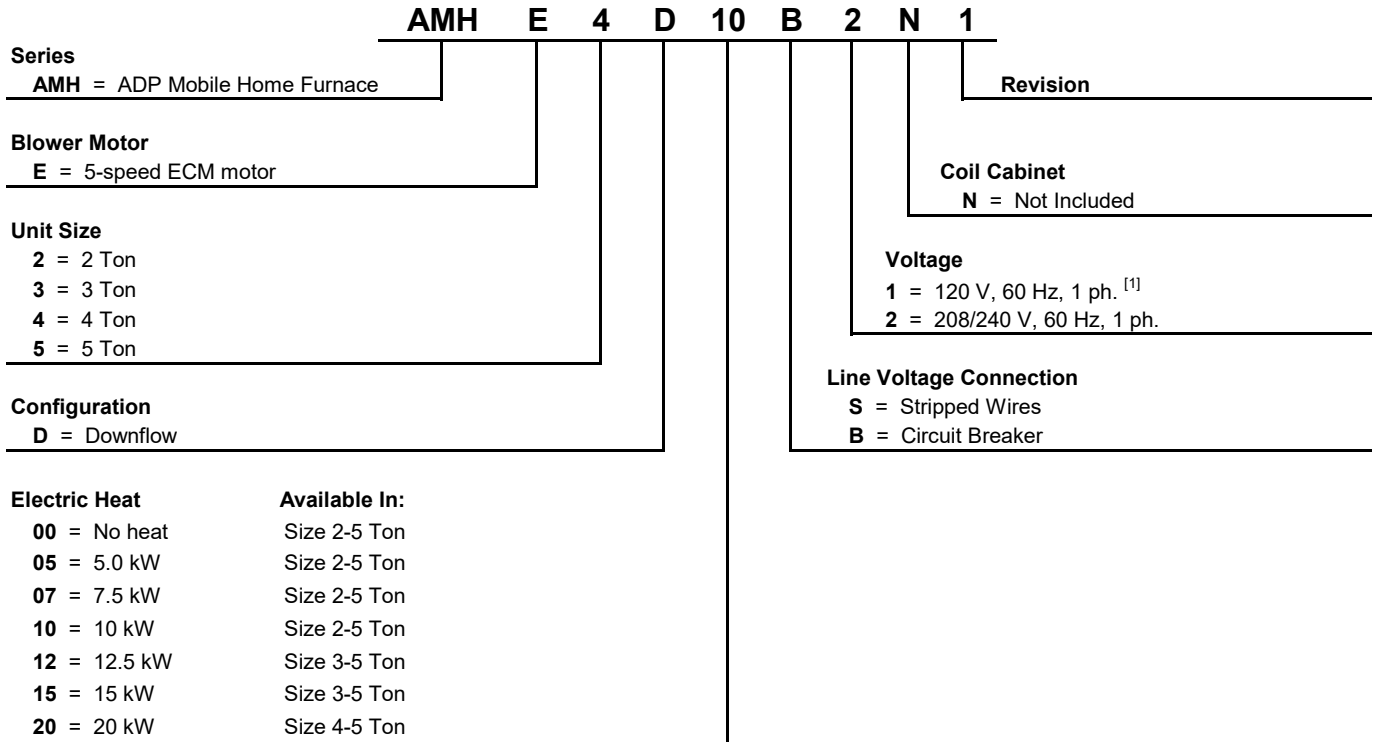
| Contents | Page |
|------------------------------|-------------|
| Nomenclature..... | 2 |
| Features..... | 4 |
| Physical Data | 4 |
| Blower Performance..... | 5 |
| Dimensions | 6 |
| Wiring Diagram | 6 |
| Thermostat Connections | 7 |
| Electrical Data..... | 9 |



Product improvement is a continuous process at Advanced Distributor Products. Therefore, product specifications are subject to change without notice and without obligation on our part. Please contact your ADP representative or distributor to verify details.

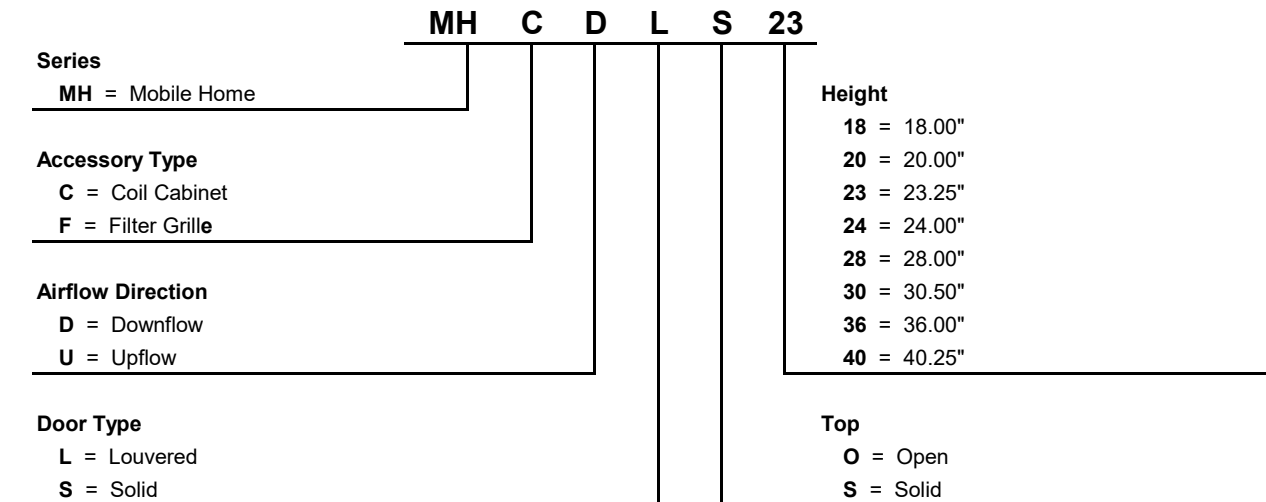
© 2025 by Advanced Distributor Products. All rights reserved.

Furnace Nomenclature



[1] 120 V, 60 Hz supply voltage cannot be used with electric heat

Coil Cabinet Nomenclature



| Coil Cabinet Model | Accessory Type | Airflow Direction | Door Type | Top | Height (in) | Depth (in) | Width (in) | Filter Size (Door) | Filter Size (Top) | Applicable M Series Coil sizes |
|--------------------|----------------|-------------------|-----------|-------|-------------|------------|------------|--------------------|-------------------|--------------------------------|
| MHCDLS23 | Coil Cabinet | Downflow | Louvered | Solid | 23.25 | 23.5 | 19.8 | 20x20x1 (qty 1) | N/A | Coil height upto 20" |
| MHCDSO23 | Coil Cabinet | Downflow | Solid | Open | 23.25 | 23.5 | 19.8 | N/A | 20x24x1 (qty 1) | |
| MHCDLO23 | Coil Cabinet | Downflow | Louvered | Open | 23.25 | 23.5 | 19.8 | 20x20x1 (qty 1) | 20x24x1 (qty 1) | |
| MHCDLS30 | Coil Cabinet | Downflow | Louvered | Solid | 30.50 | 23.5 | 19.8 | 20x30x1 (qty 1) | N/A | Coil height upto 25" |
| MHCDSO30 | Coil Cabinet | Downflow | Solid | Open | 30.50 | 23.5 | 19.8 | N/A | 20x24x1 (qty 1) | |
| MHCDLO30 | Coil Cabinet | Downflow | Louvered | Open | 30.50 | 23.5 | 19.8 | 20x30x1 (qty 1) | 20x24x1 (qty 1) | |
| MHCDLS40 | Coil Cabinet | Downflow | Louvered | Solid | 40.25 | 23.5 | 19.8 | 20x20x1 (qty 2) | N/A | All M Series Coil Height |
| MHCDSO40 | Coil Cabinet | Downflow | Solid | Open | 40.25 | 23.5 | 19.8 | N/A | 20x24x1 (qty 1) | |
| MHFDLO18 | Filter Grille | Downflow | Louvered | Open | 18.00 | N/A | 19.8 | N/A | N/A | N/A |
| MHFDLO24 | Filter Grille | Downflow | Louvered | Open | 24.00 | N/A | 19.8 | N/A | N/A | N/A |
| MHCUSO20 | Coil Cabinet | Up-flow | Solid | Open | 20.00 | 23.5 | 19.8 | N/A | N/A | Coil height upto 17" |
| MHCUSO24 | Coil Cabinet | Up-flow | Solid | Open | 24.00 | 23.5 | 19.8 | N/A | N/A | Coil height upto 21" |
| MHCUSO28 | Coil Cabinet | Up-flow | Solid | Open | 28.00 | 23.5 | 19.8 | N/A | N/A | Coil height upto 25" |
| MHCUSO36 | Coil Cabinet | Up-flow | Solid | Open | 36.00 | 23.5 | 19.8 | N/A | N/A | All M Series Coil Height |



Filter Grille



Coil Door with Open



Louvered Door with



Louvered Door with Open Top



UpFlow

Application Features

- Standard footprint for installation in manufactured homes.
- Compatible with 2-5 Ton AC or HP systems.
- Factory configured for downflow, field convertible for up-flow.
- Electric heat available factory or field installed for 208/240 V models.
- Multiple coil cabinet and filter grille options available.
- Perfectly matches with ADP manufactured housing coils.
- Meets UL 60335-2-40 product requirements.

Cabinet Features

- Blower panel with handle and push-to-lock feature for easy access.
- Cabinet and door lined with high quality 5/8" foil faced insulation for quiet operation.
- Cabinet constructed of heavy-gauge, corrosion-resistant galvanized steel.
- Slide-out blower assemblies for easy access to blower motor.

Electrical Features

- 120 V or 208/240 V 60 Hz supply voltages available.
- 5-speed high-efficiency ECM motor.
- Terminal board with screw down connections for thermostat wiring.
- Fan time delay built-in (1 second on, 45 seconds off).
- Multiple knockout options for line voltage and thermostat connections.
- Blower door safety switch on all models.

Physical Data

| | | Model | | | |
|---|---------------------------------|--|------------|-------------|-------------|
| | | AMHE2D* | AMHE3D* | AMHE4D* | AMHE5D* |
| Nominal CFM Range | | 600 - 800 | 900 - 1100 | 1200 - 1400 | 1200 - 1800 |
| Available Voltage^[1] | | (120 V, 60 Hz, 1 Ph), (208/240 V, 60 Hz, 1 Ph) | | | |
| Maximum Electric Heat Available (kW) | | 10 | 15 | 20 | 20 |
| Transformer Size and Type | | 40 VA, Class 2 | | | |
| Blower Data | Motor H.P. | 1/3 | 1/2 | 3/4 | 3/4 |
| 5-Speed High Efficiency ECM Motor (120 V) | F.L.A @ 120 V | 3.9 | 5.8 | 8.7 | 8.7 |
| | Wheel (Diameter x Width) | 10 x 9 | 10 x 9 | 10 x 9 | 11 x 9 |
| Blower Data | Motor H.P. | 1/3 | 1/2 | 3/4 | 3/4 |
| 5-Speed High Efficiency ECM Motor (240 V) | F.L.A @ 240 V | 2.6 | 3.9 | 5.8 | 5.8 |
| | Wheel (Diameter x Width) | 10 x 9 | 10 x 9 | 10 x 9 | 11 x 9 |
| Approx. Weight lbs (base unit w/o electric heat) | | 85 | 85 | 85 | 100 |

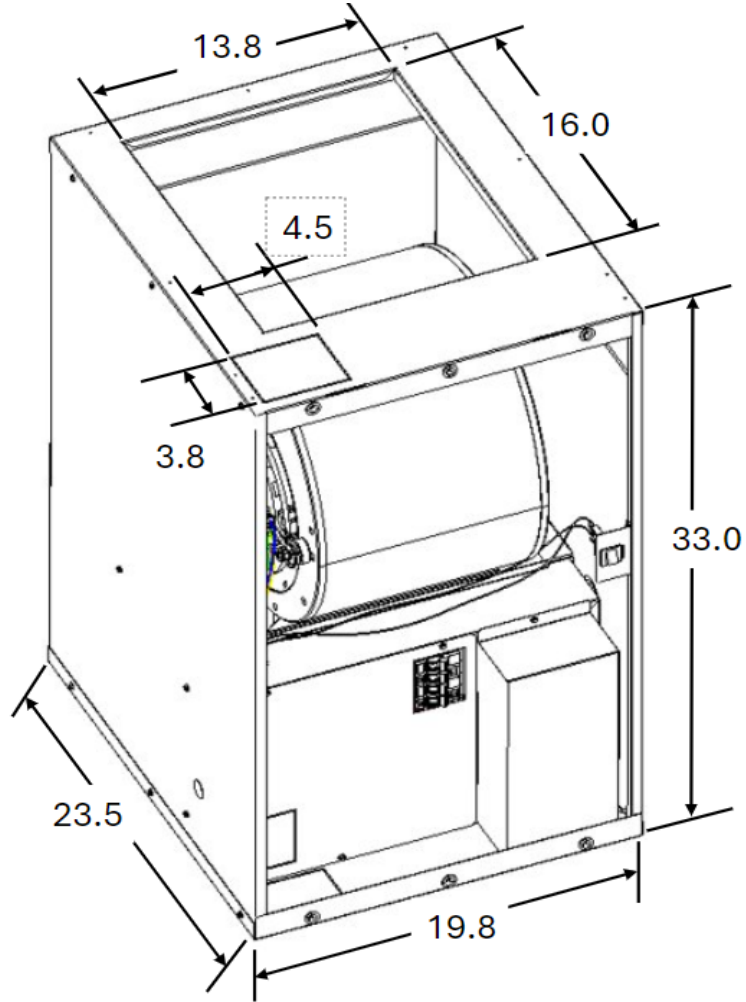
Blower Performance

| Unit Size | Tap | Airflow (CFM) vs. External Static Pressure (inches H ₂ O) | | | | | | | | | |
|-----------|------------------------|--|------|------|------|------|------|------|------|------|------|
| | | 0.1 | 0.2 | 0.3 | 0.4 | 0.5 | 0.6 | 0.7 | 0.8 | 0.9 | 1.0 |
| AMHE2D | 1 | 368 | 317 | 244 | 196 | 197 | 196 | 196 | 197 | 196 | 196 |
| | 2 | 522 | 470 | 433 | 379 | 339 | 339 | 340 | 260 | 261 | 260 |
| | 3[^] | 711 | 675 | 634 | 604 | 565 | 525 | 493 | 449 | 450 | 449 |
| | 4[#] | 837 | 801 | 774 | 738 | 705 | 676 | 645 | 614 | 607 | 605 |
| | 5[*] | 921 | 886 | 862 | 827 | 794 | 770 | 739 | 713 | 709 | 654 |
| AMHE3D | 1 | 414 | 344 | 268 | 202 | 202 | 201 | 201 | 201 | 202 | 202 |
| | 2 | 760 | 701 | 659 | 613 | 568 | 522 | 486 | 447 | 447 | 446 |
| | 3[^] | 1063 | 956 | 916 | 873 | 840 | 803 | 767 | 735 | 720 | 672 |
| | 4[#] | 1157 | 1060 | 1005 | 963 | 926 | 900 | 867 | 840 | 807 | 805 |
| | 5[*] | 1213 | 1142 | 1078 | 1035 | 997 | 961 | 936 | 905 | 881 | 848 |
| AMHE4D | 1 | 486 | 408 | 333 | 253 | 216 | 216 | 216 | 216 | 216 | 216 |
| | 2 | 1046 | 1010 | 969 | 877 | 824 | 780 | 734 | 690 | 655 | 615 |
| | 3[^] | 1382 | 1347 | 1313 | 1286 | 1244 | 1194 | 1119 | 1068 | 1034 | 993 |
| | 4[#] | 1426 | 1389 | 1353 | 1318 | 1289 | 1241 | 1179 | 1111 | 1068 | 1034 |
| | 5[*] | 1501 | 1474 | 1443 | 1411 | 1377 | 1339 | 1304 | 1243 | 1178 | 1134 |
| AMHE5D | 1 | 858 | 798 | 731 | 661 | 596 | 536 | 492 | 450 | 449 | 449 |
| | 2 | 1053 | 1015 | 962 | 904 | 848 | 790 | 738 | 693 | 643 | 639 |
| | 3 | 1202 | 1160 | 1116 | 1068 | 1013 | 965 | 911 | 861 | 818 | 810 |
| | 4^{#,^} | 1343 | 1318 | 1281 | 1240 | 1196 | 1160 | 1106 | 1060 | 1014 | 1008 |
| | 5[*] | 1826 | 1799 | 1790 | 1761 | 1722 | 1677 | 1640 | 1594 | 1544 | 1494 |

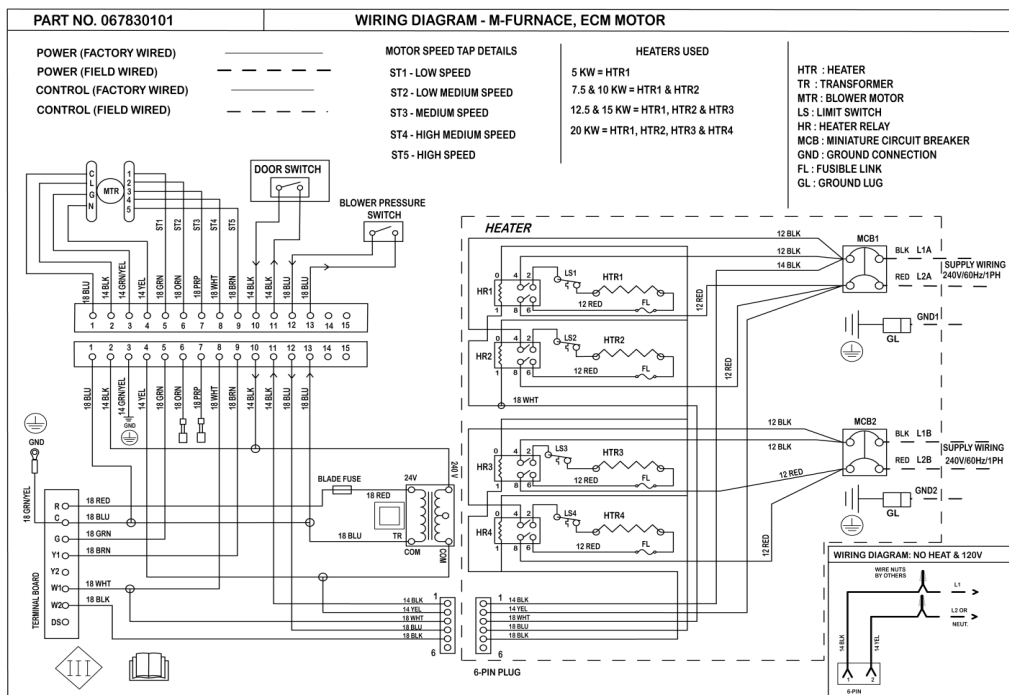
Notes :

1. All data is given while air handler is operating with a dry coil and air filter installed.
2. Speeds marked bold with * are the factory speed settings for Cooling.
3. Speeds marked bold with # are the factory speed settings for Heating.
4. Speeds marked bold with ^ are minimum speed tap allowed for electric heating.
5. Different speeds can be set for cooling mode; see installation instructions for changing cooling speeds.
6. Speed tap 4 is the maximum allowed for electric heating and heat pump operation in AMHE5D models.

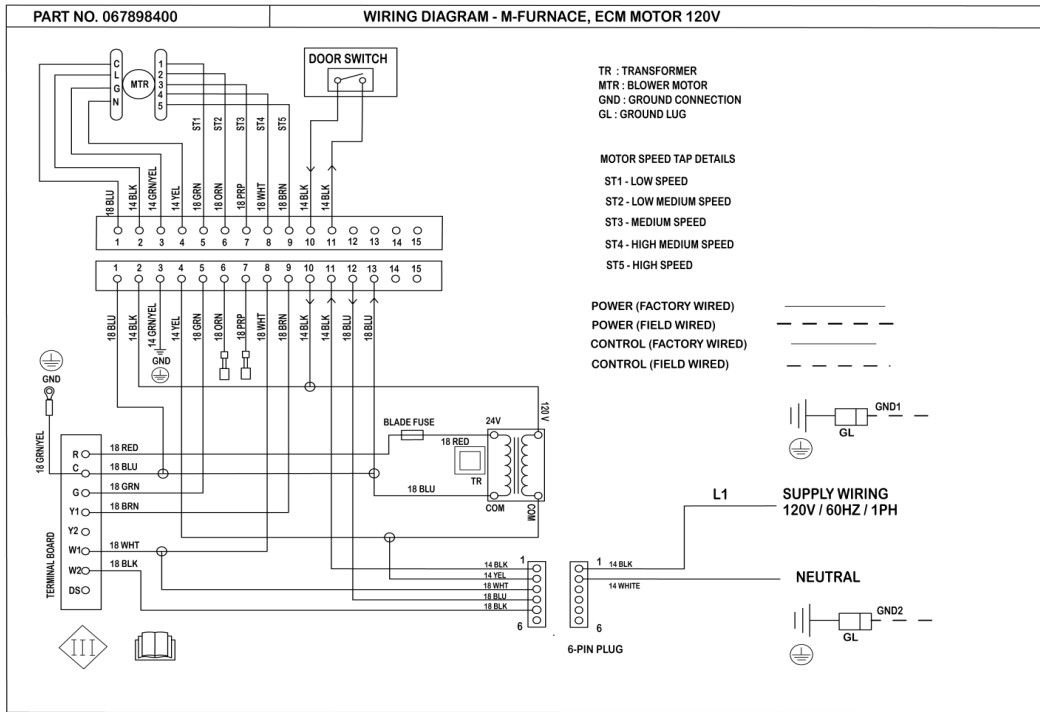
Dimensions



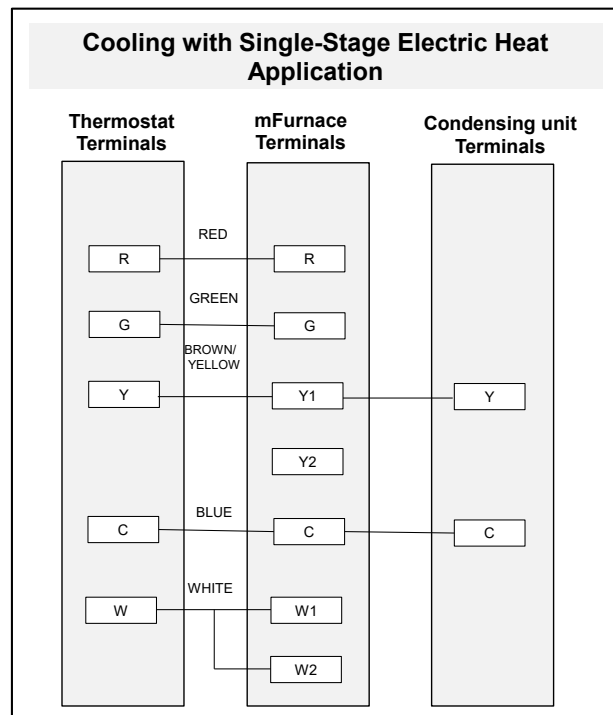
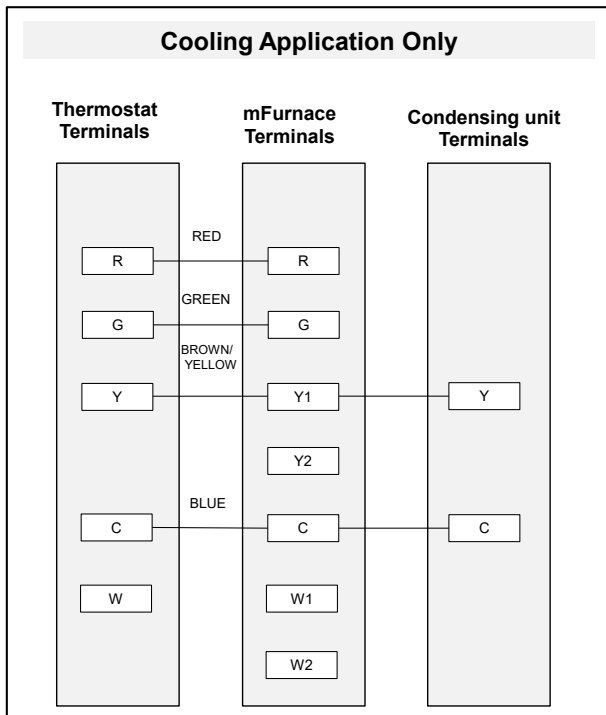
Wiring Diagram 208/240 Volt



Wiring Diagram 120 Volt

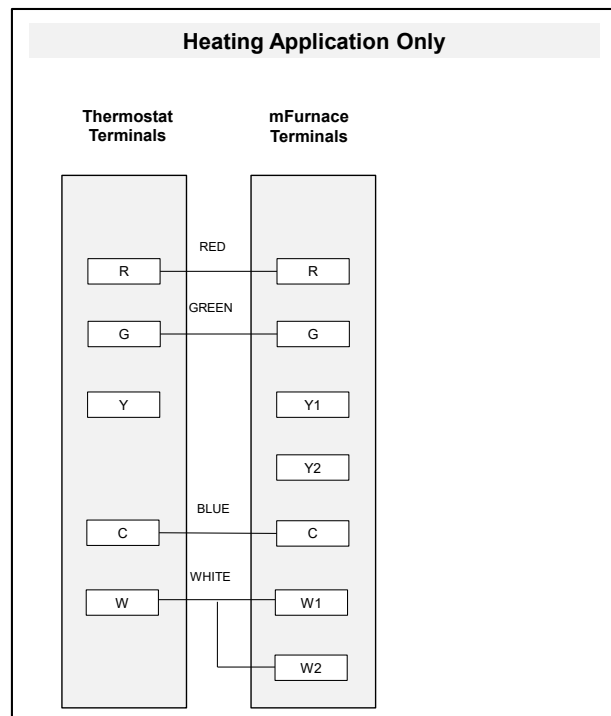
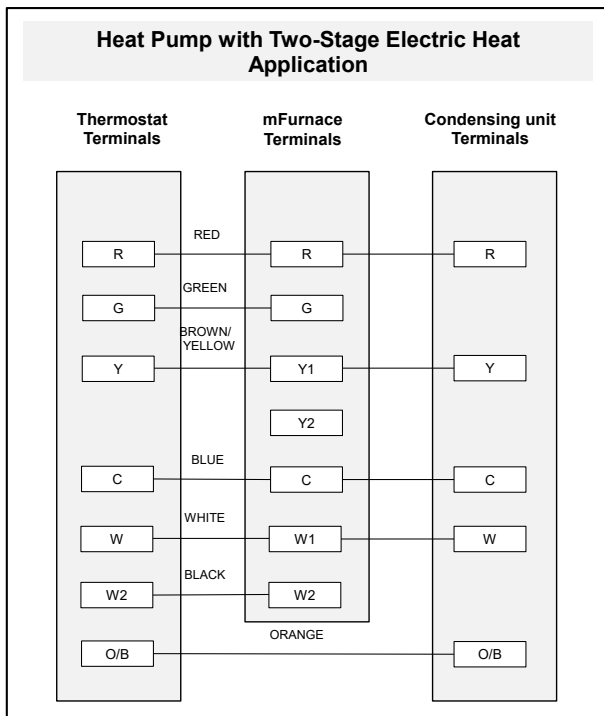
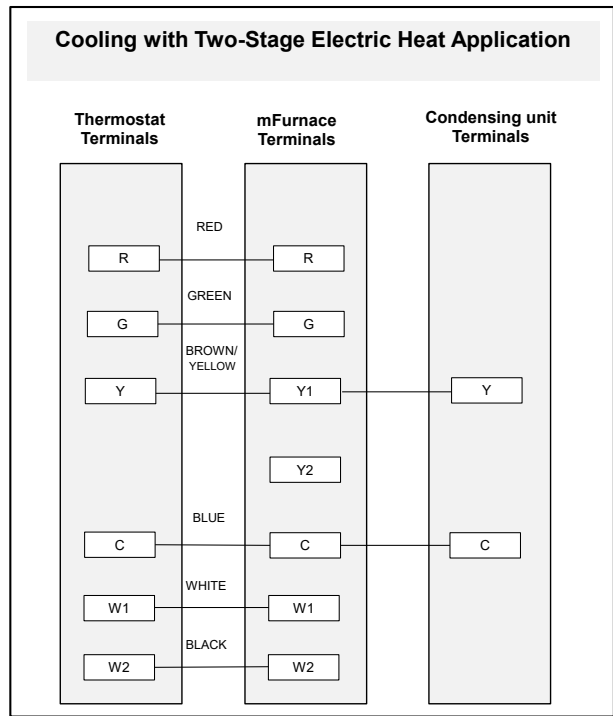
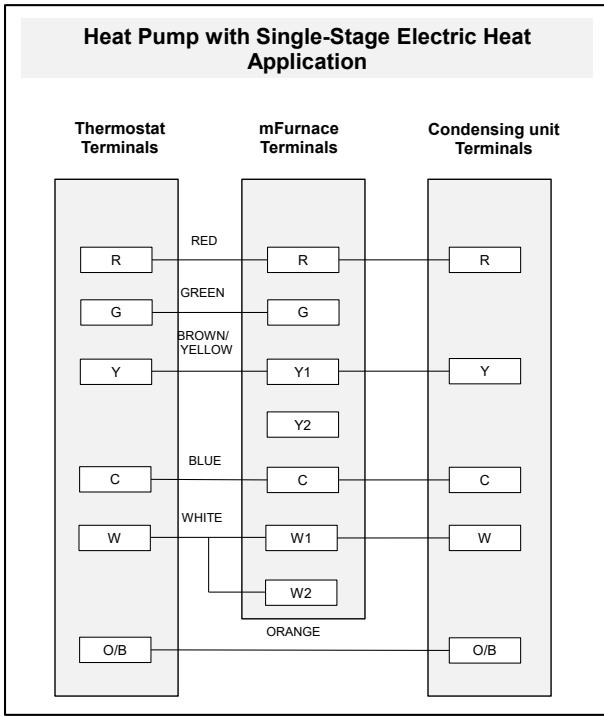


Thermostat Connections



Note:
- All thermostat connections are NEC class 2 wiring.
- Connect common wire from the furnace to the thermostat only if required.

Thermostat Connections



Note:

- All thermostat connections are NEC class 2 wiring.
- Connect common wire from the furnace to the thermostat only if required.

Electrical Data: 120 V, ECM Motor, No Electric Heat

| Unit Size | Total Heat Capacity | Heating Capacity | | Circuit | Blower Amps (A) | Total Current, (A) | Minimum Circuit Ampacity (A) | Maximum Circuit Breaker |
|-----------|---------------------|------------------|------|---------|-----------------|--------------------|------------------------------|-------------------------|
| | | kW | BTUH | | | | | |
| | | 120V | 120V | | | | | |
| 2 | 0 | 0 | 0 | 1 | 3.90 | 3.90 | 4.9 | 15 |
| 3 | 0 | 0 | 0 | 1 | 5.80 | 5.80 | 7.3 | 15 |
| 4 | 0 | 0 | 0 | 1 | 8.70 | 8.70 | 10.9 | 15 |
| 5 | 0 | 0 | 0 | 1 | 8.70 | 8.70 | 10.9 | 15 |

Electrical Data: 240 V, ECM Motor, Electric Heat

| Unit Size | Total Heat Capacity | Heating Capacity | | Circuit | Blower Amps (A) | | Total Current, (A) | | Minimum Circuit Ampacity (A) | | Maximum Circuit Breaker size ^[2] (A) | |
|-----------|---------------------|----------------------|----------------------|---------|-----------------|-------|--------------------|-------|------------------------------|-------|---|-------|
| | | kW | BTUH | | 208 V | 240 V | 208 V | 240 V | 208 V | 240 V | 208 V | 240 V |
| | | 240 V ^[1] | 240 V ^[1] | | | | | | | | | |
| 2 | 0 | 0 | 0 | 1 | 2.7 | 2.6 | 2.7 | 2.6 | 3.4 | 3.3 | 15 | 15 |
| | 5 | 5 | 17061 | 1 | 2.70 | 2.60 | 20.8 | 23.4 | 25.9 | 29.3 | 30 | 30* |
| | 7.5 | 7.5 | 25591 | 1 | 2.70 | 2.60 | 29.8 | 33.9 | 37.2 | 42.3 | 40 | 45 |
| | 10 | 10 | 34121 | 1 | 2.70 | 2.60 | 38.8 | 44.3 | 48.5 | 55.3 | 50 | 60 |
| 3 | 0 | 0 | 0 | 1 | 3.90 | 3.90 | 3.9 | 3.9 | 4.9 | 4.9 | 15 | 15 |
| | 5 | 5 | 17061 | 1 | 3.90 | 3.90 | 22.0 | 24.7 | 27.4 | 30.9 | 30 | 35 |
| | 7.5 | 7.5 | 25591 | 1 | 3.90 | 3.90 | 31.0 | 35.2 | 38.7 | 43.9 | 40 | 45 |
| | 10 | 10 | 34121 | 1 | 3.90 | 3.90 | 40.0 | 45.6 | 50.0 | 57.0 | 50 | 60 |
| | 12.5 | 8.3 | 28321 | 1 | 3.90 | 3.90 | 33.9 | 38.5 | 42.3 | 48.1 | 45 | 50 |
| | | 4.2 | 14331 | 2 | 0.00 | 0.00 | 15.2 | 17.5 | 19.0 | 21.9 | 20 | 25 |
| | 15 | 10 | 34121 | 1 | 3.90 | 3.90 | 40.0 | 45.6 | 50.0 | 57.0 | 50 | 60 |
| | | 5 | 17061 | 2 | 0.00 | 0.00 | 18.1 | 20.8 | 22.6 | 26.0 | 25 | 30 |
| 4 & 5 | 0 | 0 | 0 | 1 | 6.00 | 5.80 | 6.0 | 5.8 | 7.5 | 7.3 | 15 | 15 |
| | 5 | 5 | 17061 | 1 | 6.00 | 5.80 | 24.1 | 26.6 | 30.1 | 33.3 | 35 | 35 |
| | 7.5 | 7.5 | 25591 | 1 | 6.00 | 5.80 | 33.1 | 37.1 | 41.4 | 46.3 | 45 | 50* |
| | 10 | 10 | 34121 | 1 | 6.00 | 5.80 | 42.1 | 47.5 | 52.6 | 59.3 | 60 | 60 |
| | 12.5 | 8.3 | 28321 | 1 | 6.00 | 5.80 | 36.0 | 40.4 | 45.0 | 50.5 | 45 | 60* |
| | | 4.2 | 14331 | 2 | 0.00 | 0.00 | 15.2 | 17.5 | 19.0 | 21.9 | 20 | 25 |
| | 15 | 10 | 34121 | 1 | 6.00 | 5.80 | 42.1 | 47.5 | 52.6 | 59.3 | 60 | 60 |
| | | 5 | 17061 | 2 | 0.00 | 0.00 | 18.1 | 20.8 | 22.6 | 26.0 | 25 | 30 |
| | 20 | 10 | 34121 | 1 | 6.00 | 5.80 | 42.1 | 47.5 | 52.6 | 59.3 | 60 | 60 |
| | | 10 | 34121 | 2 | 0.00 | 0.00 | 36.1 | 41.7 | 45.1 | 52.1 | 50 | 60 |

[1] For 208 volt use 0.751 correction factor for kW & BTUH.
 [2] Verify breaker sizing based on minimum circuit ampacity.
 * Circuit Breaker supplied with heat kit must be changed.