



Installation Instructions

F Series

Premier Low Profile Air Handlers

Electric or No Heat, with available 5-Speed High Efficiency ECM Motor

TABLE OF CONTENTS		PAGE	PAGE
Air Handler Safety.....	1	Sloping the Drain	18
General	2	Install Condensate Drain	18
Wiring Diagrams	3	Ductwork Requirements	19
Thermostat Connections.....	7	Install Ductwork	19
Blower Performance Data.....	10	Metering Device	19
Inspect Shipment	13	Refrigerant Line Installation	20
Tools and Parts.....	13	Refrigerant Charging Instructions	20
Outdoor System Requirements	14	Electrical Connections	21
Location Requirements	14	Air Handler Checks	22
Installation Clearances	14	Sequence of Operations	23
Label installation	15	Air Handler Maintenance	23
Electrical Requirements	15	Assistance or Service	23
Configuration Options	16	Warranty	24
Drain Pan Connections.....	17		

AIR HANDLER SAFETY

SAFETY CONSIDERATIONS

Your safety and the safety of others are very important.

We have provided many important safety messages in this manual and on your appliance. Always read and obey all safety messages.

This is the safety alert symbol.

This symbol alerts you to potential hazards that can kill or hurt you and others.



All safety messages will follow the safety alert symbol and signal word. These signals words mean the following:

DANGER: You can be **killed or seriously injured** if you don't immediately follow instructions.

WARNING: Indicate a potentially hazardous situation which, if not

avoided, could result in **death or serious injury**.

CAUTION: Indicates a potentially hazardous situation which, if not avoided, may result in **minor or moderate injury**. Caution may also be used to alert against unsafe practices.

NOTICE: Indicates a statement of company policy as the message relates directly or indirectly to the safety of personnel or protection of property.

IMPORTANT: More detailed information concerning the statement of company policy as the message relates directly or indirectly to the safety of personnel or protection of property.

All safety messages will tell you what the potential hazard is, tell you how to reduce the chance of injury, and tell you what can happen if the instructions are not followed.



CAUTION



This appliance is not intended for use by persons (including children) with reduced physical, sensory or mental capabilities, or lack of experience and knowledge, unless they have been given supervision or instruction concerning use of the appliance by a person responsible for their safety. Children should be supervised ensure that they do not play with the appliance.



Product improvement is a continuous process at Advanced Distributor Products. Therefore, product specifications are subject to change without notice and without obligation on our part. Please contact your ADP representative or distributor to verify details.

© 2025 by Advanced Distributor Products. All rights reserved.

AIR HANDLER SAFETY



IMPORTANT



This unit is a PARTIAL UNIT AIR CONDITIONER, complying with PARTIAL UNIT requirements of this Standard, and must only be connected to other units that have been confirmed as complying to corresponding PARTIAL UNIT requirements of this Standard, UL 60335-2-40/CSA C22.2 No. 60335-2-40, or UL 1995/CSA C22.2 No 236.



IMPORTANT



Improper installation, adjustment, alteration, service or maintenance can cause property damage, personal injury or loss of life. Installation and service must be performed by a licensed professional HVAC installer or equivalent, service agency, or the gas supplier.



IMPORTANT



The Clean Air Act of 1990 bans the intentional venting of refrigerant (CFC's and HFC's). Approved methods of reclaiming must be followed. Fines and/or incarceration may be levied for non-compliance.



IMPORTANT



This unit is a PARTIAL UNIT, it shall only be connected to an appliance using the same refrigerant as listed in the name plate of this unit.



NOTICE



Maximum altitude of application is 3200 m above sea level.

GENERAL

These instructions are intended as a general guide only and do not supersede any national or local codes in any way. Compliance with all local, state, or national codes pertaining to this type of equipment should be determined prior to installation.

Read this entire instruction manual, as well as the instructions supplied in separate equipment, before starting the installation.

All models are designed for indoor installation only.

The installation of the air handler, field wiring, warm air ducts, etc. must conform to the requirements of the National Electrical Code, ANSI/NFPA No. 70 (latest edition) in the United States, and any state laws, and local ordinances (including plumbing or wastewater codes). Local authorities having jurisdiction should be consulted before installation is made. Such applicable regulations or requirements take precedence over the general instructions in this manual.

Install the conditioned air plenum, ducts and air filters (not provided) in accordance with NFPA 90B Standard for the Installation of Warm Air Heating and Air-Conditioning Systems (latest edition).

Some models are configured for upflow air discharge only, and some models are configured for upflow or horizontal left-hand air discharge.

Do not remove the cabinet knockouts until it has been determined which knockouts need to be removed for the installation.

Select the final installation position that best suits the site



WARNING



Electrical Shock

Disconnect power before servicing.

Replace all parts and panels before operating.

Electrically ground air handler.

Connect ground wire to ground terminal marked



Failure to do so can result in death or electrical shock.

Explosion Hazard

Keep flammable materials and vapors, such as gasoline, away from this unit.

Place this unit so that the heating elements a 18in (46cm) above the floor for a garage insulation.

Failure to follow these instructions can result in death, explosion or fire.

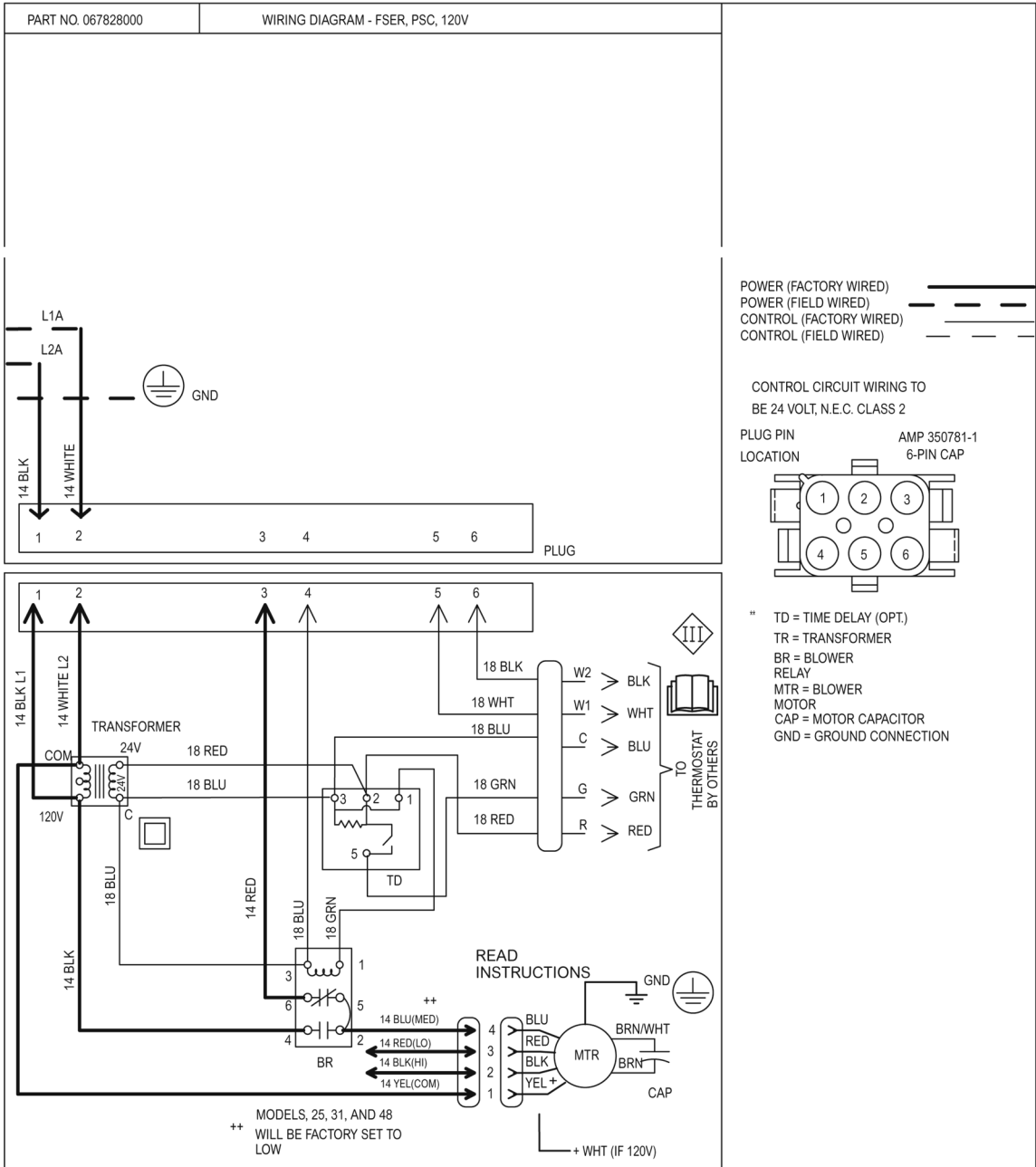


conditions. Consider required clearances, space, routing requirements for refrigerant line, condensate disposal, filters, ductwork, wiring, and accessibility for service. Refer to the air handler rating plate on the air handler for specific information.

WIRING DIAGRAM

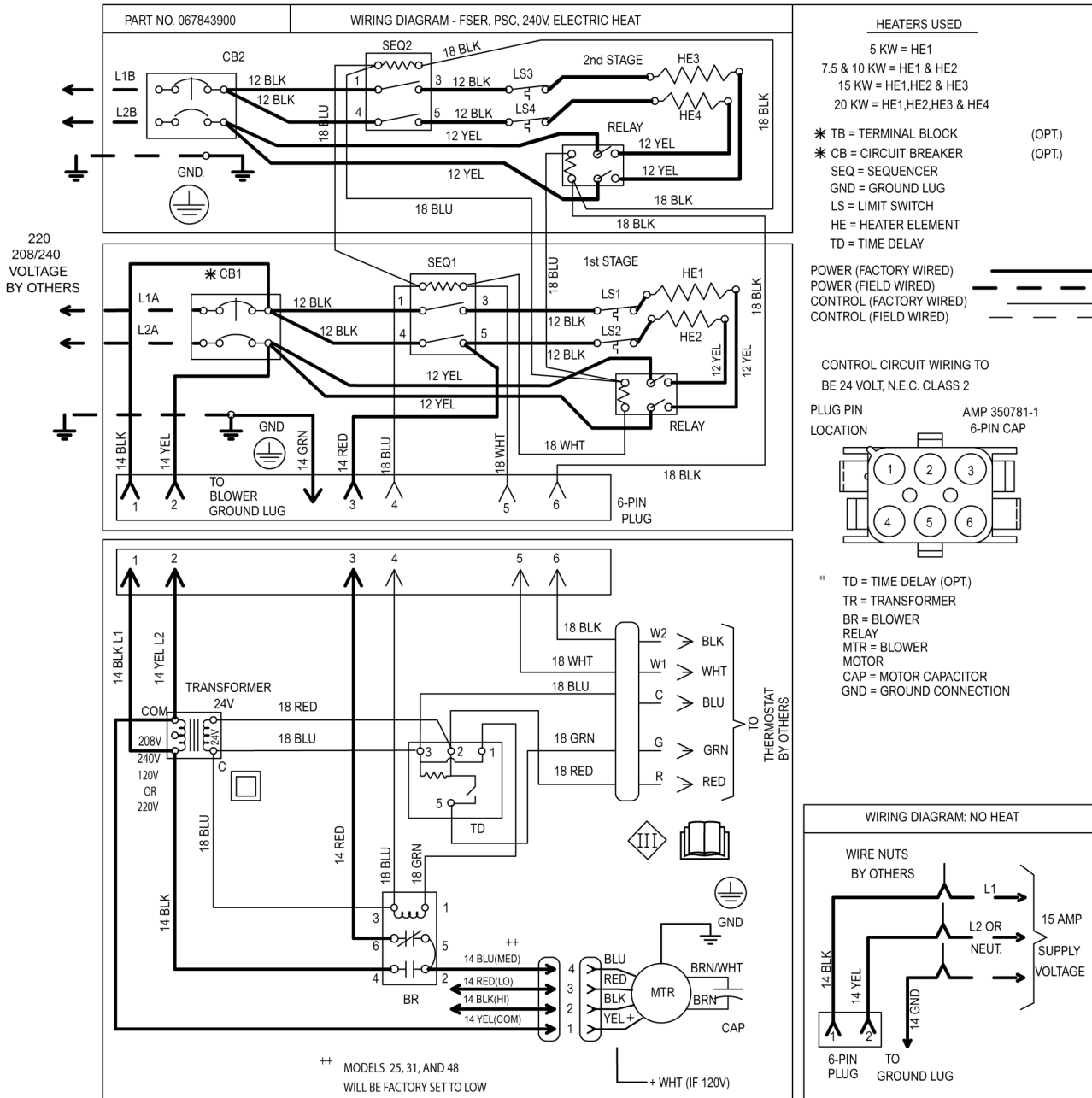
Part Number: 67828000 | WIRING DIAGRAM, PSC, 120 V, NO ELECTRIC HEAT

120V
VOLTAGE
BY OTHERS



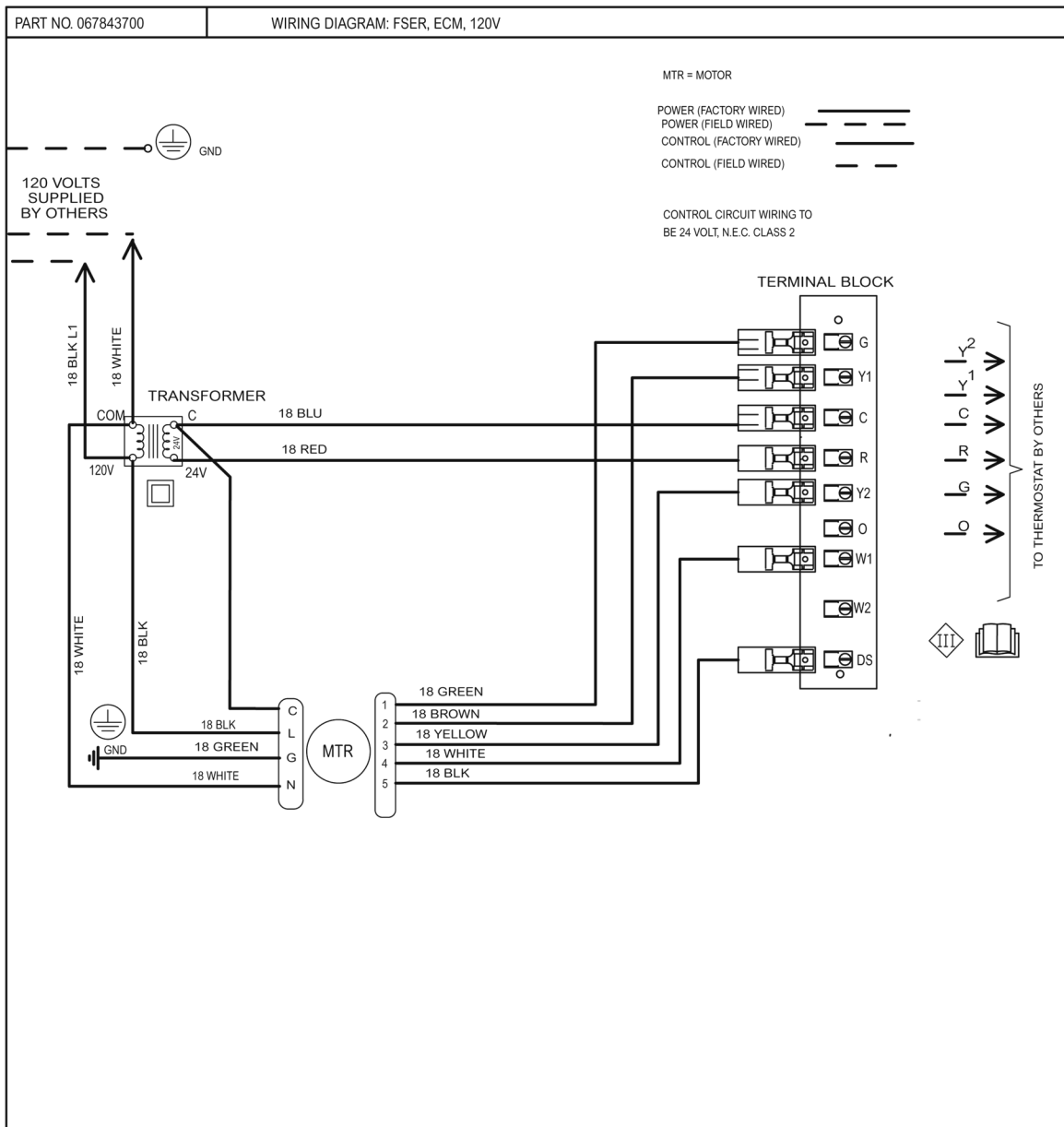
WIRING DIAGRAM

Part Number: 67843900 | WIRING DIAGRAM, PSC, 240 V



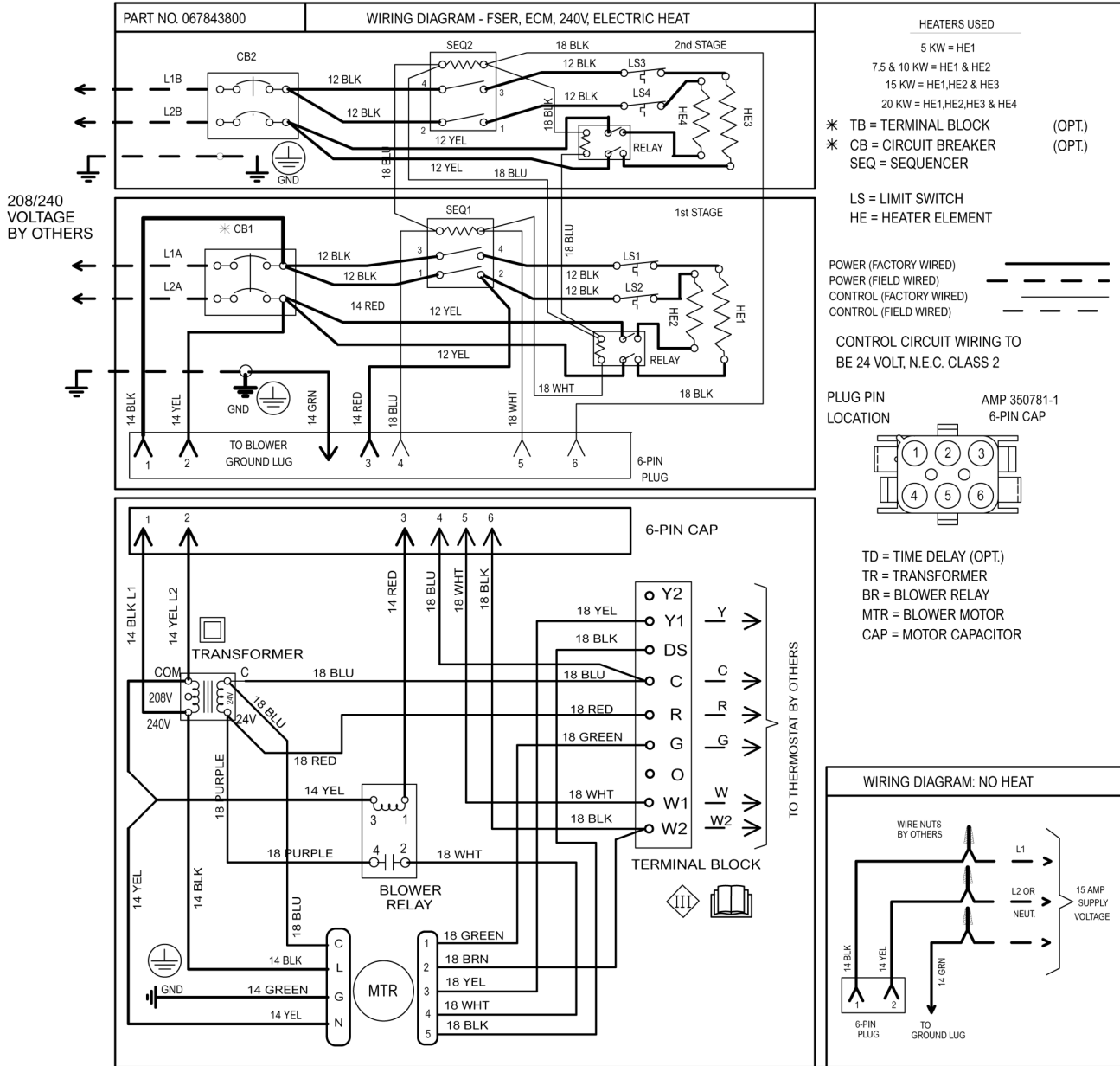
WIRING DIAGRAM

Part Number: 67843700 | WIRING DIAGRAM, ECM, 120 V, NO ELECTRIC HEAT



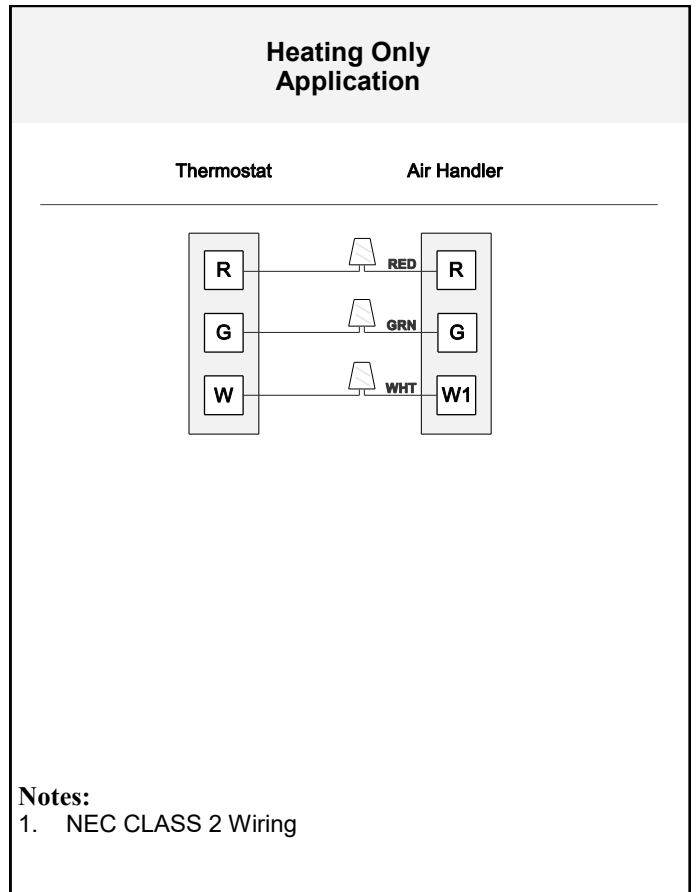
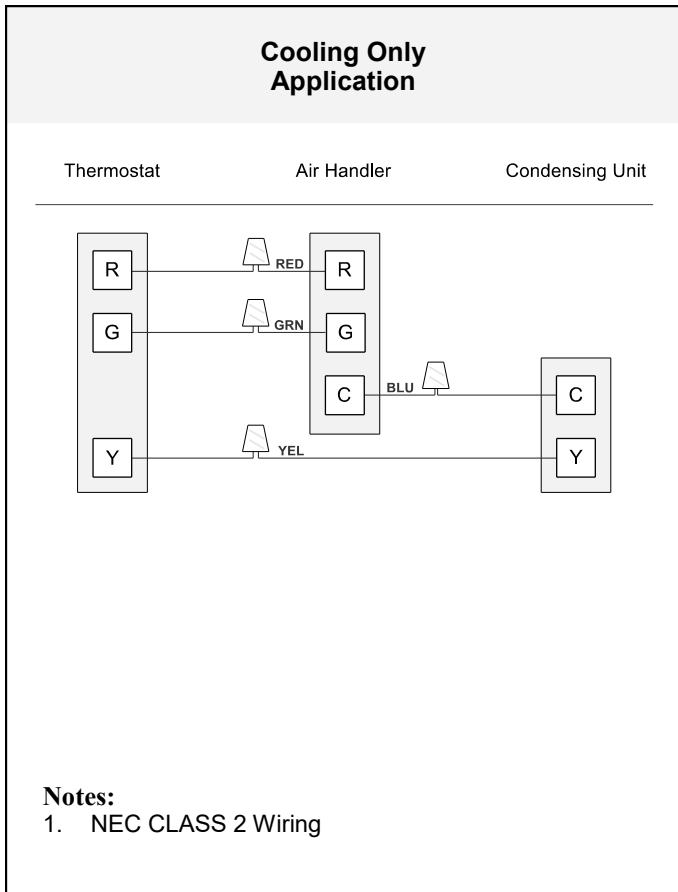
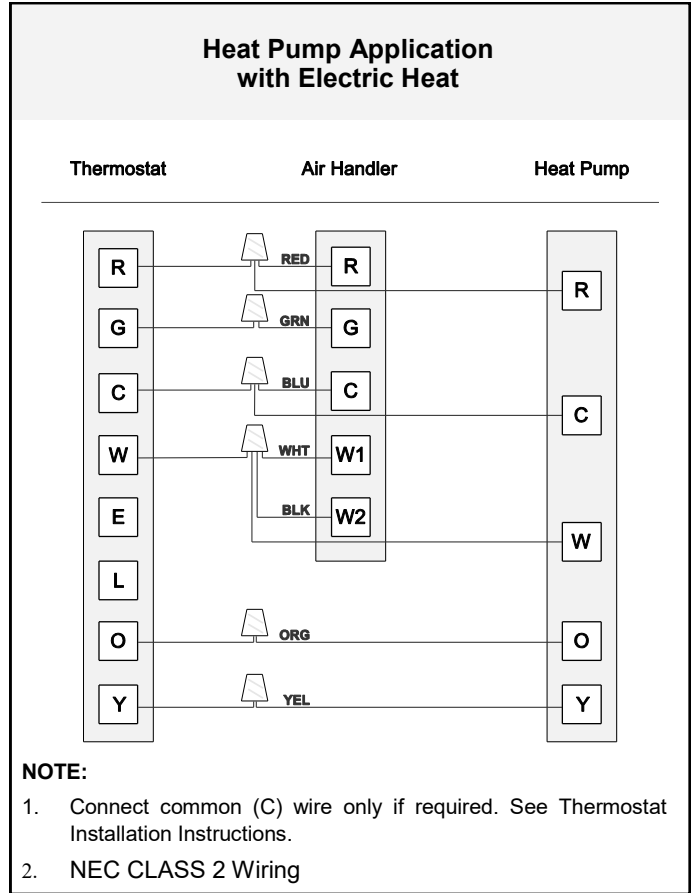
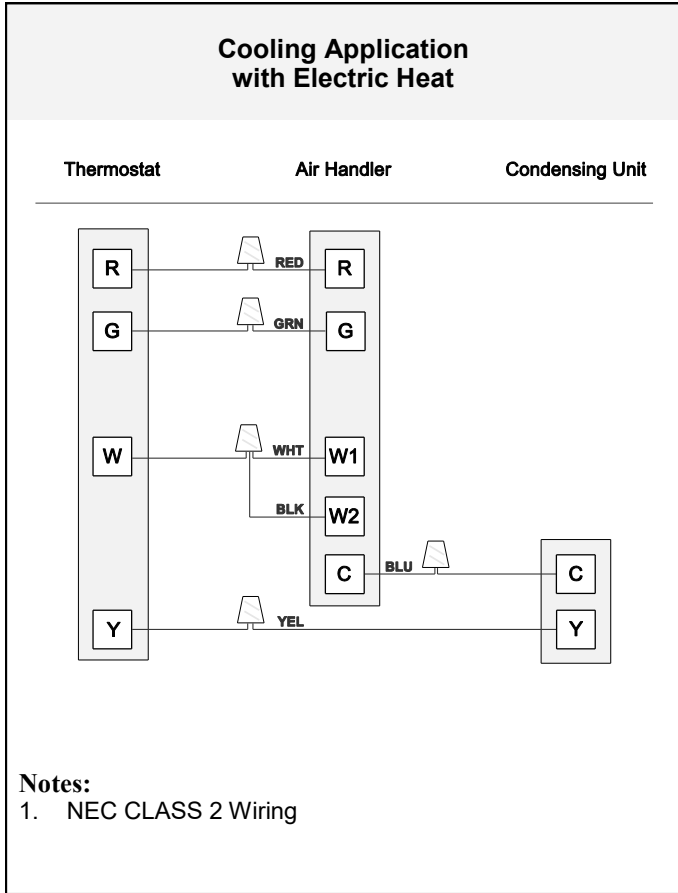
WIRING DIAGRAM

Part Number: 67843800 | WIRING DIAGRAM, ECM, 240 V



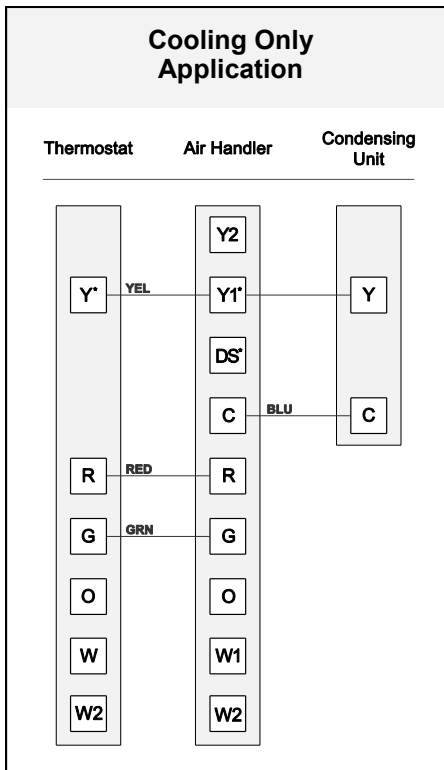
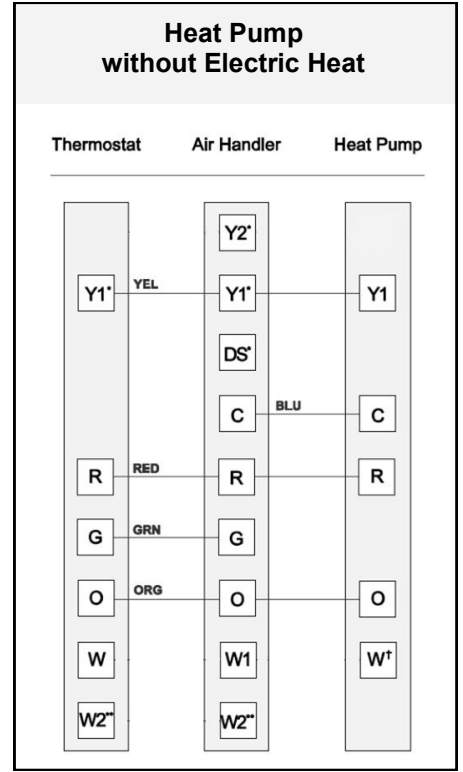
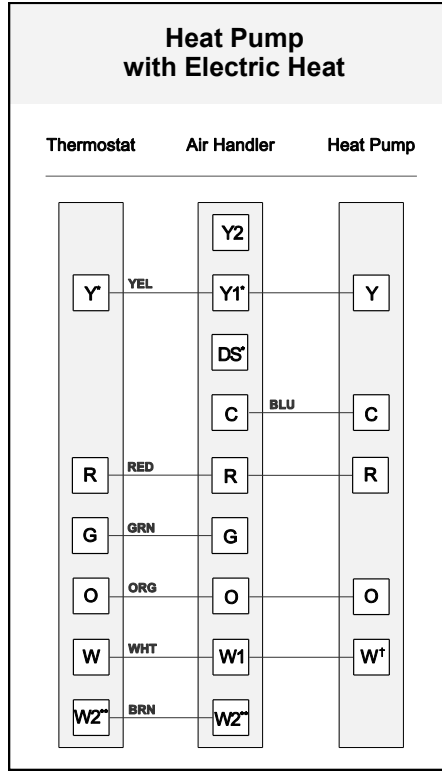
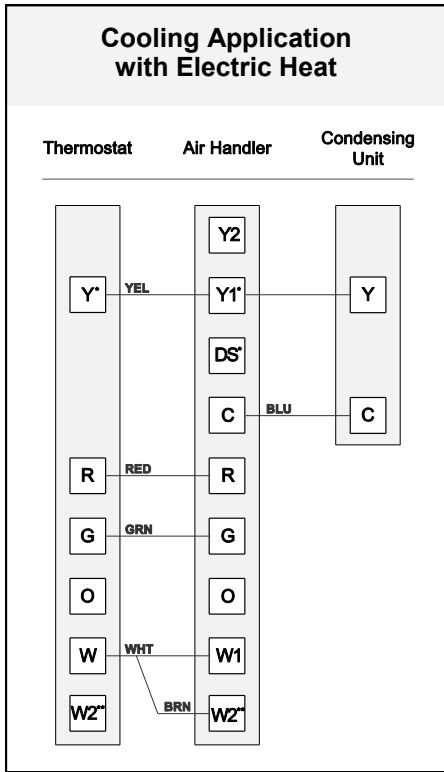
THERMOSTAT CONNECTIONS

Typical 1-Stage Thermostat Connections: 3-speed PSC Motor



THERMOSTAT CONNECTIONS

Typical 1-Stage Thermostat Connections: 5-speed High Efficiency ECM Motor



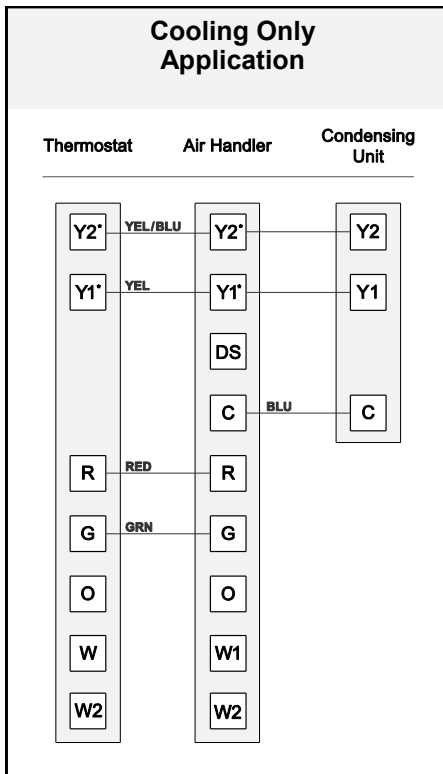
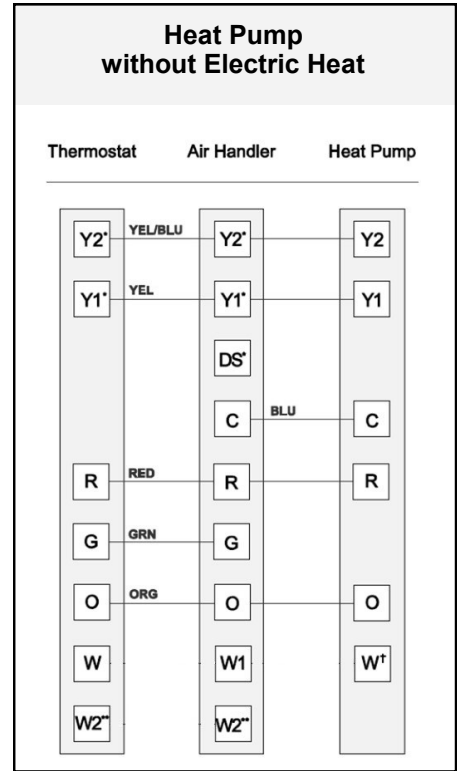
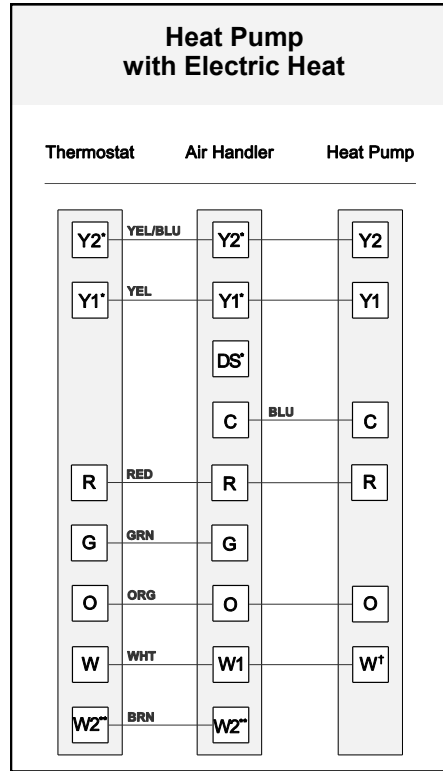
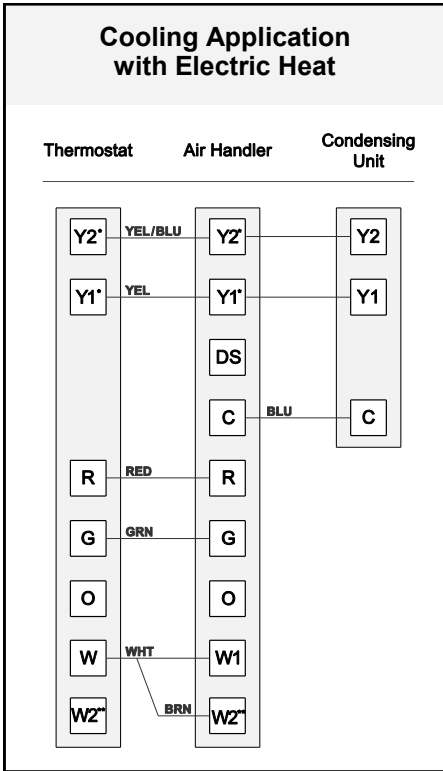
- * For high static system, jumper "Y1" & "DS" at air handler terminal block
- ** For single stage heat, jumper "W1" & "W2" at air handler terminal block
- † The "W" connection on heat pump could also be referred to as "X2"

Notes:

1. NEC CLASS 2 Wiring

THERMOSTAT CONNECTIONS

Typical 2-Stage Thermostat Connections: 5-speed High Efficiency ECM Motor



For typical 2-stage operation, move motor tap 3 (YEL) to Y2, and move motor tap 2 (BRN) to Y1.
^{*} For high static system and other blower speed changes, see page 14.
^{**} For single stage heat, jumper "W1" & "W2" at air handler terminal block
[†] The "W" connection on heat pump could also be referred to as "X2"

Notes:

1. NEC CLASS 2 Wiring

BLOWER PERFORMANCE DATA

3-speed PSC Motor:

- All data is given while air handler is operating with a dry coil and air filter installed.
- Speeds marked ***bold with asterisk** are the factory speed settings for both heating and cooling.
- Heating speeds should not be reduced below factory setting.
- Different speeds can be set for cooling mode; see installation instructions for changing cooling speeds
- For downflow operation, use the next highest speed setting available. If set to high speed from the factory, use high speed for downflow.

120 Volt 3-Speed PSC Motor

208/240 Volt 3-Speed PSC Motor

		Airflow (CFM) vs. External Static Pressure (inches W.C.)				
Size	Speed	0.10	0.20	0.30	0.40	0.50
18	Low	431	424	425	403	385
	*Med	645	645	645	641	597
	High	804	804	804	793	765
24	Low	530	525	519	507	483
	*Med	925	915	875	823	736
	High	1189	1110	1016	917	826
25	*Low	998	956	905	844	770
	Med	1045	1004	962	871	785
	High	1089	1036	980	905	826
30	Low	998	956	905	844	770
	*Med	1045	1004	962	871	785
	High	1089	1036	980	905	826
31	*Low	945	930	912	869	793
	Med	1150	1145	1123	1166	1004
	High	1291	1291	1285	1277	1200
36	Low	945	930	912	869	793
	*Med	1150	1145	1123	1166	1004
	High	1291	1291	1285	1277	1200
42	*Low	1393	1378	1366	1246	1167
	Med	1603	1592	1575	1540	1443
	High	1811	1811	1805	1744	1674
48	Low	1393	1378	1366	1246	1167
	*Med	1603	1592	1575	1540	1443
	High	1811	1811	1805	1744	1674
60	Low	1583	1583	1583	1567	1551
	*Med	1972	1972	1968	1882	1819
	High	2169	2146	2096	2004	1908

		Airflow (CFM) vs. External Static Pressure (inches W.C.)				
Size	Speed	0.10	0.20	0.30	0.40	0.50
18	Low	505	499	487	434	397
	Med	653	634	625	600	512
	*High	891	853	812	778	733
24	Low	663	624	583	578	562
	Med	902	864	822	792	744
	*High	1159	1097	1031	960	893
25	*Low	867	839	803	780	733
	Med	1044	1015	991	941	889
	High	1260	1234	1200	1149	1098
30	Low	867	839	803	780	733
	*Med	1044	1015	991	941	889
	High	1260	1234	1200	1149	1098
31	*Low	1143	1112	1081	1047	1015
	Med	1268	1233	1186	1165	1133
	High	1415	1390	1352	1314	1260
36	Low	1143	1112	1081	1047	1015
	*Med	1268	1233	1186	1165	1133
	High	1415	1390	1352	1314	1260
37	*Low	1318	1299	1270	1210	1147
	Med	1444	1409	1374	1294	1220
	High	1712	1645	1544	1453	1328
42	Low	1318	1299	1270	1210	1147
	*Med	1444	1409	1374	1294	1220
	High	1712	1645	1544	1453	1328
48	*Low	1764	1709	1652	1563	1418
	Med	1984	1884	1780	1683	1509
	High	2031	1959	1832	1725	1617
60	Low	1764	1709	1652	1563	1418
	Med	1984	1884	1780	1683	1509
	*High	2031	1959	1832	1725	1617

BLOWER PERFORMANCE DATA

5-speed High Efficiency 120 Volt ECM Motor

- All data is given while air handler is operating with a dry coil.
- Speeds marked ***bold with asterisk** are the factory speed settings for both heating and cooling.
- Different speeds can be set for cooling mode; see installation instructions for changing cooling speeds.
- For downflow operation, use speed tap 5.

		Airflow (CFM) vs. External Static Pressure (inches W.C.)					
Size	Tap	0.10	0.20	0.30	0.40	0.50	0.60
18	1	529	492	429	367	328	289
	2	603	563	526	469	417	380
	*3	757	725	701	668	639	586
	4	806	777	746	720	692	661
	5	849	826	798	768	745	720
24	1	613	575	538	487	432	395
	2	769	737	711	678	648	594
	*3	955	926	899	871	842	814
	4	989	962	938	912	891	865
	5	1046	1024	996	971	945	919
25	1	687	633	573	482	424	373
	2	830	794	757	708	636	570
	*3	971	948	913	882	840	802
	4	1012	988	960	922	889	849
	5	1057	1040	1011	979	943	909
30	1	765	720	667	602	521	474
	2	971	950	913	879	836	797
	*3	1163	1141	1116	1090	1054	1025
	4	1203	1189	1168	1139	1112	1078
	5	1222	1202	1188	1161	1128	1102
31	1	853	793	724	658	525	475
	2	1047	999	948	898	840	785
	*3	1230	1185	1142	1104	1054	1007
	4	1268	1231	1189	1147	1106	1053
	5	1316	1273	1237	1196	1152	1108

		Airflow (CFM) vs. External Static Pressure (inches W.C.)					
Size	Tap	0.10	0.20	0.30	0.40	0.50	0.60
36	1	835	798	761	710	629	569
	2	1158	1137	1114	1088	1054	1024
	*3	1354	1327	1310	1290	1270	1239
	4	1418	1389	1369	1351	1327	1304
	5	1429	1412	1395	1379	1358	1330
37	1	908	851	794	730	632	535
	2	1232	1186	1142	1104	1054	1005
	*3	1432	1389	1346	1307	1272	1228
	4	1468	1426	1388	1350	1311	1275
	5	1504	1474	1438	1401	1363	1323
42	1	961	914	857	794	744	611
	2	1417	1377	1339	1299	1267	1223
	*3	1613	1574	1543	1508	1482	1447
	4	1669	1634	1600	1564	1530	1504
	5	1694	1665	1637	1603	1570	1537
48	1	1169	1106	1008	930	859	799
	2	1658	1615	1575	1532	1477	1409
	*3	1830	1792	1754	1737	1682	1622
	4	1863	1844	1809	1778	1740	1684
	5	1895	1855	1836	1805	1772	1714
60	1	1317	1298	1239	1162	1049	972
	2	1809	1752	1706	1707	1671	1619
	*3	1905	1851	1822	1784	1795	1756
	4	2013	1956	1908	1867	1890	1867
	5	2230	2171	2119	2072	2038	2048

BLOWER PERFORMANCE DATA

5-speed High Efficiency 240 Volt ECM Motor

- All data is given while air handler is operating with a dry coil and air filter installed.
- Heating speeds should not be reduced below factory setting. For unit size 18 & 24, use speed tap 5 for heating operation
- Different speeds can be set for cooling mode; see installation instructions for changing cooling speeds.
- Speeds marked ***bold with asterisk** are the factory speed settings for both heating and cooling.
- For downflow operation, use speed tap 5.

		Airflow (CFM) vs. External Static Pressure (inches W.C.)							
Size	Tap	0.10	0.20	0.30	0.35	0.40	0.45	0.50	0.60
18	1	492	448	393	361	361	333	307	273
	2	513	471	420	414	384	357	325	318
	*3	667	641	615	605	596	577	567	560
	4	705	673	665	648	630	621	603	590
	5	721	689	673	656	639	629	612	590
24, 25	1	732	627	590	581	571	545	536	525
	2	671	634	594	578	573	546	493	480
	*3	892	859	832	828	818	797	790	775
	4	911	866	839	832	825	818	804	760
	5	924	886	846	832	825	818	797	780
30, 31	1	871	830	778	722	671	635	625	586
	2	906	859	809	779	715	689	654	635
	*3	1085	1070	1048	1036	1024	1001	989	975
	4	1125	1103	1087	1059	1047	1024	1012	983
	5	1176	1146	1114	1098	1081	1059	1047	1029
36, 37	1	882	887	826	804	766	760	755	695
	2	1082	1037	1025	1002	990	959	921	881
	*3	1270	1250	1238	1228	1214	1189	1179	1162
	4	1290	1275	1265	1246	1236	1227	1212	1172
	5	1335	1315	1301	1287	1278	1259	1240	1225
42	1	1008	907	861	832	803	772	717	671
	2	1292	1243	1202	1192	1171	1149	1127	1070
	*3	1447	1430	1404	1377	1359	1340	1322	1283
	4	1534	1502	1476	1459	1433	1416	1398	1362
	5	1559	1519	1502	1477	1460	1434	1417	1381
48	1	1585	1494	1320	1252	1210	1151	1120	1088
	2	1510	1463	1414	1389	1363	1324	1256	1228
	*3	1675	1633	1579	1556	1545	1510	1487	1451
	4	1737	1697	1655	1633	1612	1590	1568	1545
	5	1781	1731	1679	1658	1637	1615	1593	1571
60	1	1394	1342	1288	1251	1172	1109	1077	1025
	2	1722	1666	1623	1594	1564	1534	1518	1471
	*3	2083	2048	2013	1990	1972	1947	1929	1885
	4	2179	2135	2101	2079	2056	2039	2021	1937
	5	2209	2166	2122	2101	2057	2058	2047	1956

INSPECT SHIPMENT



WARNING



Excessive Weight Hazard

Use two or more people to move and install air handler.
Failure to do so can result in back or other injury.

All air handlers are performance tested. Each unit consists of a blower assembly, refrigerant coil and controls, in an insulated, factory-finished enclosure. Knockouts are provided for electrical wiring entrance.

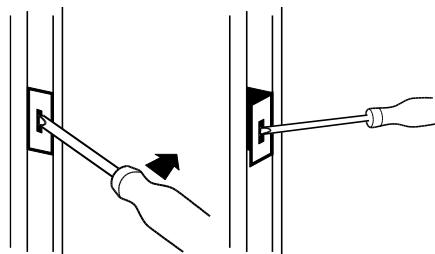
1. Check the unit rating plate to confirm specifications are as ordered.
2. Upon receipt of equipment, carefully inspect it for possible shipping damage. Take special care to examine the unit if the carton is damaged.

If damage is found, it should be noted on the carrier's freight bill. Damage claims should be filed with the carrier immediately. Claims of shortages should be filed with the seller within 5 days.

NOTE: If any damages are discovered and reported to the carrier, do not install the unit because your claim may be denied.

FIGURE 5

Adjusting Filter Rack Tabs



Model	Filter Size
12 / 18 / 24	12" x 20"
25 / 30 / 36	16" x 20"
31 / 37 / 42 / 48 / 60	18" x 25"

If a filter is to be installed, a filter rack must be formed using factory-supplied flanges as shown in Figure 5.

1. Lay air handler on its back.
2. Pry filter rack tabs.
3. Place air handler in vertical position.

TOOLS AND PARTS NEEDED

Assemble the required tools and parts before starting installation. Read and follow the instructions provided with any tools listed here:

1/4" Nut Driver

Level

Screw Drive

Adjustable Wrench

Tape Measure

Hammer

Sealant

UL Listed Wire Nuts

Replacement Orifice (if needed; see "Metering Device")

Check local codes, check existing electrical supply, and read "Ductwork Requirements," and "Electrical Requirements," before purchasing parts.

The correct orifice size may be contained in the replacement orifice package located inside the control box of the outdoor unit. If this package does not contain the correct orifice for your air handler, you must purchase the correct orifice size.

OUTDOOR SYSTEM REQUIREMENTS

The air handler is designed to match, and must be used with, outdoor units as rated in AHRI. The indoor sections are manufactured with an interchangeable refrigerant metering device to provide optimum refrigerant control and system

performance with a variety of different capacities of outdoor units. In some cases, the AHRI rating may require that the air handler refrigerant metering device be changed to obtain rated performance.

LOCATION REQUIREMENTS

NOTE: When the unit is installed in a very humid space and used in cooling applications, excessive sweating may occur on outside of unit. To prevent excessive sweating wrap unit with 1" fiberglass insulation. All openings should be sealed to prevent air leakage that could cause condensate to form inside the cabinet.

- If installed in an unconditioned space, sealant should be applied around the electrical wires, refrigerant tubing, and condensate lines where they enter the cabinet.
- Electrical wires should be sealed on the inside where they exit the conduit opening. Sealant is required to prevent air leakage into and condensate from forming inside the air handler, control box, and on electrical controls.
- The air handler must be installed in such a way as to allow free access to the coil/filter compartment and blower/control compartment.

INSTALLATION CLEARANCES

Clearance to combustible material to be 0 inches to unit casing, and 0 inches to plenum and duct for first 36 inches.

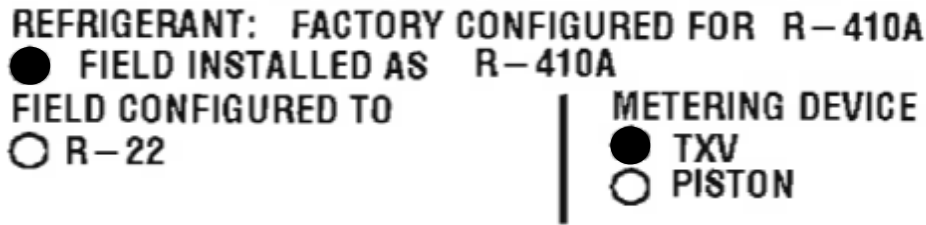
The air handler can be installed in a closet with a false bottom to form a return air plenum or be installed with a return air plenum under the air handler.

Louvers or return air grilles are field supplied. Local codes may limit application of systems without a ducted return to single-story buildings.





- Install louvers in a closet. Use the "Minimum Filter Requirements Chart" to determine the opening size that will provide the amount of free air you will require. If using louvers or grilles, match the free area rating of the louver or grille to the Minimum Return Air Free Area you determined to be necessary by consulting the "Minimum Filter Requirements Chart."
- If the free area is not known, assume a 25% free area for wood or a 75% free area for metal louvers or grilles.
- If the return air plenum is used, the return air grille should be immediately in front of the opening in the plenum to allow for the free flow of return air.
- When not installed in front of the opening, there must be adequate clearance around the air handler to allow for the free flow of return air.

LABEL INSTALLATION

Permanently mark the serial label with the appropriate A1 (R-410A & R-22) refrigerant & metering device used. See example below.



ELECTRICAL REQUIREMENTS

 WARNING 	
 Electrical Shock Hazard	
<p>Electrically ground electric heater. Connect ground wire to ground terminal marked Use copper wire rated for supply connection. Correct wire gauge is shown in the chart below. Failure to follow these instructions can result in death or electrical shock.</p>	

- All field wiring must be done in accordance with National Electrical Code, applicable requirements of UL and local codes, where applicable.
- Electrical wiring, disconnect means and over-current protection are to be supplied by the installer. Refer to the air handler rating plate for maximum over-current protection, minimum circuit Ampacity, as well as operating voltage.
- The power supply must be sized and protected according to the specifications supplied on the product.
- This air handler is factory configured for 240 Volt, single phase, 60 cycles. For 208 Volt applications, see "208 Volt Conversion" in the "Make Electrical Connections" section.
- For optional electric heater applications refer to the instructions provided with the accessory for proper installation.

NOTE: Use copper conductors only.

CONFIGURATION OPTIONS

For ease of installation, it is best to make any necessary coil configuration changes before setting air handler in place.

- Vertical models only contain 1 drain pan.
- Multi-Position models contain 2 drain pans.

Vertical Installations

Upflow:

The air handler must be supported on the bottom only and set on solid floor or field supplied supporting frame. Securely attach the air handler to the floor or supporting frame.

Downflow:

Downflow accessory kit is available. Use downflow conversion instructions included with kit.

Horizontal Installations

Horizontal installations can be left-hand or right-hand air supply. Adequate support must be provided to ensure cabinet integrity. Units mounted horizontal should be mounted with a slight angle toward the drain connections (see Figure 6) so that the drain pan will empty completely without water standing in the pan.

Ensure that there is adequate room to remove service and access panels if installing in the horizontal position.

IMPORTANT:

- This coil is provided with a secondary drain that should be trapped and piped to a location that will give the

Conversion from Vertical to Horizontal

An upflow only air handler may be converted to horizontal air discharge by installing a horizontal drain pan kit (see accessories). An upflow/horizontal air handler may be converted from horizontal left-hand discharge to horizontal right-hand discharge without additional parts.

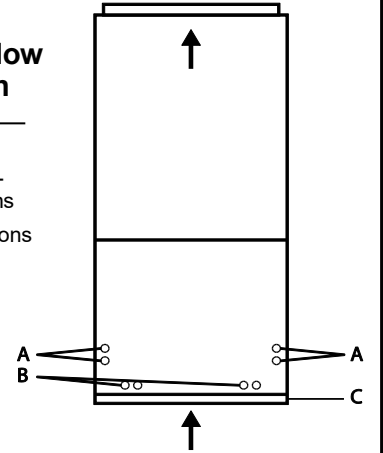
occupant a visual warning that the primary drain is clogged. See "Install Condensate Drain."

- When an evaporator coil is installed in an attic or above a finished ceiling, an auxiliary drain pan should be provided under the air handler as specified by most local building codes, and must have a larger footprint than the air handler.
- Extend suction line insulation into the coil cabinet by 2" to prevent moisture from dripping onto the insulation (the rubber grommet may need to be removed).

FIGURE 1

Air Handler in Upflow Vertical Position

- A. Horizontal left or right-hand drain connections
- B. Upflow drain connections
- C. Bottom/filter frame



Suspended Cabinet Installation

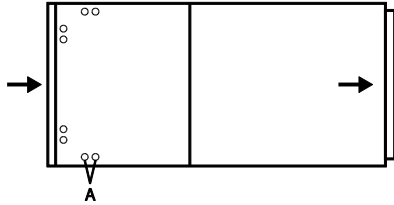
NOTE: Air handler must be positioned with one side parallel to the floor when in the horizontal position, with a 1/2" pitch towards drain. The suspending means must be field fabricated, and should consist of a minimum of two "cradles" made by attaching two 3/8" all thread rods to a length 1-5/8" x 7/8" unistrut. Cradles should not interfere with panel removal, drain connections, or refrigerant connections.

DRAIN PAN CONNECTIONS

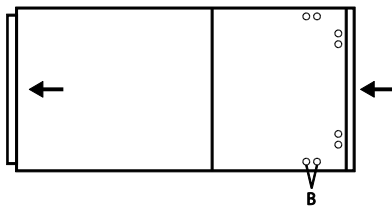
FIGURE 2

Air Handler in the Horizontal Position

Horizontal Right
Requires Drain Pan Location Change



Horizontal Left
Factory Ready (on multi-position models)



Horizontal installations can be either "Right" or "Left."

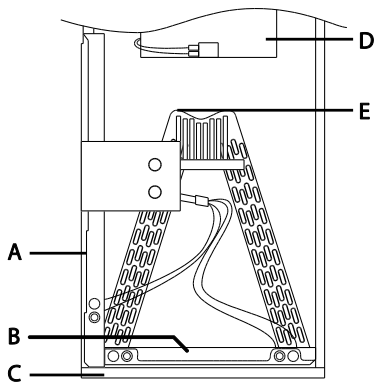
For horizontal right installations, a drain pan location change is required. Use drain connections "A" (Figure 2). For horizontal left installations, use drain connections marked "B" (Figure 2).

Follow these steps to modify drain pan for horizontal right configuration.

1. Remove and set aside blower and front access panels.
2. Remove the coil support bracket.
3. Carefully remove coil assembly, bottom drain pan and side drain pan as one assembly from the air handler.
Caution: Take care when removing coil assembly from unit. Installation in this configuration may cause the coil to tip into unit once clear of the cabinet. Support the coil when removing.
4. Move side drain pan to the opposite side.
5. Install modified coil assembly back into air handler in the same orientation as before.
6. Install the coil support bracket on the opposite side of the air handler.
7. Knockout required panels for drain line connections.
8. Replace the blower and coil access doors.

FIGURE 3

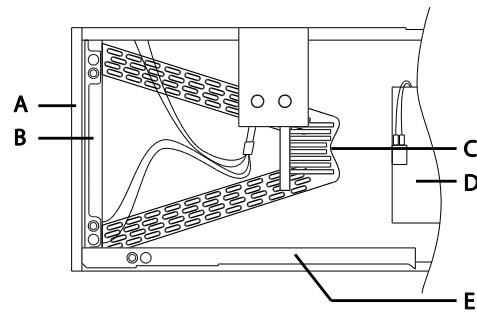
Front View of Air Handler without Front Access Panel



- | | |
|-----------------------|------------|
| A. Side Drain Pan | D. Blower |
| B. Bottom Drain Pan | E. Top Cap |
| C. Filter Access Door | |

FIGURE 4

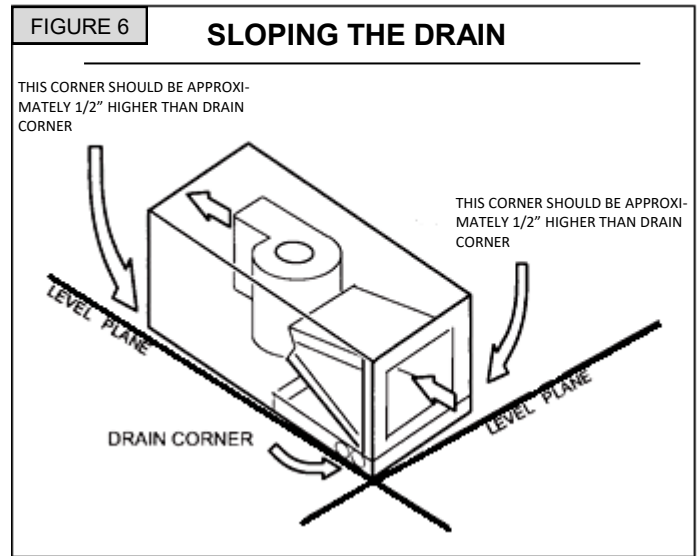
Front View of Air Handler in Horizontal Position without Front Access Panel After Conversion



- | | |
|-----------------------|-------------------|
| A. Filter Access Door | D. Blower |
| B. Bottom Drain Pan | E. Side Drain Pan |
| C. Top Cap | |

SLOPING THE DRAIN

Make sure the unit is sloped approximately 1/2" (similar to the slope shown in Figure 6) to ensure proper condensate drainage. **NOTE:** Sloping over 5/8" may cause blow off into the auxiliary drain hole in high static situations.



INSTALL CONDENSATE DRAIN

The air handler is provided with 3/4" NPT condensate drain connections.

A field fabricated secondary drain pan, with a drain pipe to the outside of the building, is required in all installations over a finished living space or in any area that may be damaged by overflow from the main drain pan. In some localities, local codes require a secondary drain pan for any horizontal installations. The secondary drain pan must have a larger footprint than the air handler.

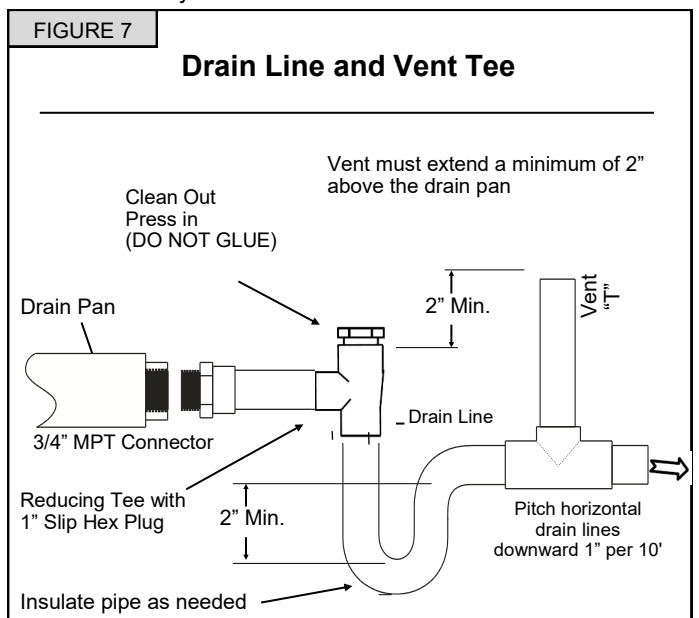
1. Remove the appropriate panel knockouts for drains. See "Drain Pan Connections" section. You may need to remove the indoor coil assembly from the cabinet.
2. Determine the drain connections to be used and note the difference between the primary (green) and secondary (red) openings. Drain plugs are provided for all openings; remove and discard the appropriate plugs with 1/2" drive ratchet and verify that remaining plugs are tight (2.5 ft-lbs). Attach drain line to pan with 3/4" male pipe thread PVC fittings. Hand tight is adequate – do not over tighten & do not reduce drain line size.
3. Secondary drain connections should be connected to a separate drainage system. Run this drain to a place in compliance with local installation codes where it will be noticed when unit is operational. Condensate flowing from the secondary drain indicates a plugged primary drain.
4. Install a 2" trap in the primary drain line as close to the unit as practical. Make sure the top of the trap is below the connection to the drain pan to allow complete drainage of the pan. **NOTE:** Horizontal runs must also have an anti-siphon air vent (standpipe) installed ahead of the horizontal run. See Figure 7. An extremely long horizontal run may require an oversized drain line to eliminate air trapping. **NOTE:** Do not operate air handler without a drain trap. The condensate drain is on the negative pressure side of the blower; therefore, air being pulled through the condensate line will prevent positive drainage without a proper trap.

5. Route the drain line to the outside or to an appropriate drain. Drain lines must be installed so they do not block service access to the front of the air handler. A 24" clearance is required for filter, coil, or blower removal and service access. **NOTE:** Check local codes before connecting the drain line to an existing drainage system.

6. Insulate the drain lines where sweating could cause water damage.

Upon completion of installation, it is the responsibility of the installer to ensure the drain pan(s) is capturing all condensate, and all condensate is draining properly and not getting into duct/system.

1. Pour several quarts of water into drain pan, enough to fill drain trap and line.
2. Check to make sure the drain pan is draining completely, no leaks are found in drain line fittings, and water is draining from the end of the primary drain pan.
3. Correct any leaks found.



DUCTWORK REQUIREMENTS

- Install the conditioned air plenum, ducts and air filters (not provided) in accordance with NFPA 90B Standard for the Installation of Warm Air Heating and Air-Conditioning Systems (latest edition).
- The air handler is provided with flanges for the connection of the plenum and ducts.
- The air handler is equipped with flanges that can form a filter rack for the installation of the air filter, or the filter may be installed as part of the return air duct system.
- Air filters must be listed as Class 2 furnace air filters.
- Supply and return ductwork must be adequately sized to meet the system's air requirements and static pressure capabilities. Ductwork should be insulated with a minimum of 1" thick insulation with a vapor barrier in conditioned areas and 2" minimum in unconditioned areas.
- Supply plenum should be the same size as the flanged opening provided around the blower outlet and should extend ideally at least 3 ft. from the air handler before turning or branching off plenum into duct runs. The plenum forms an extension of the blower housing and minimizes air expansion losses from the blower.

INSTALL DUCTWORK

IMPORTANT:

- Install ductwork in accordance with NFPA 90B and any local codes.
- Connect supply air duct to the flange on top of the air handler. If an isolation connector is used, it must be nonflammable.

- A return air duct system is recommended. If the unit is installed in a confined space or closet, a return connection must be run to a location outside the cabinet.

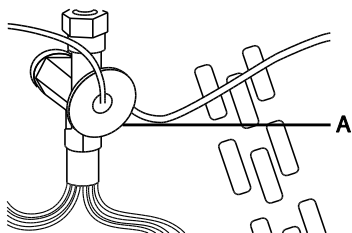
METERING DEVICE

Thermal Expansion Valve (TXV)

Factory Installed Expansion Valves: Sensing bulbs are factory installed and clamped to the suction line. For optimum performance, reattach and insulate the bulb at a 10 or 2 o'clock position outside of the cabinet to the main suction line no more than one foot from the suction line connection. If necessary, the bulb can be installed on a vertical suction line. In this instance, the bulb must be placed before any trap, with the bulb's capillary tube facing upward.

FIGURE 8

Thermal Expansion Valve (Letter A)



NOTE: Some models are equipped with thermo expansion valve and do not require any orifice change.

Pistons

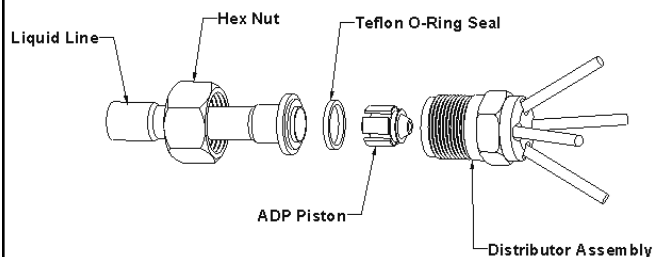
IMPORTANT: For optimum performance, the piston should be sized to match the recommendation from the outdoor unit manufacturer. Consult the outdoor unit information to determine whether the indoor unit has the correct orifice size.

When changing pistons, use the following procedure:

1. Loosen the hex nut located on liquid line and separate from distributor assembly.
2. Remove the existing piston from inside the distributor assembly.
3. Insert the desired piston into the distributor assembly.
4. Inspect Teflon O-Ring and replace if damaged. Ensure Teflon O-Ring is in place.
5. Re-install hex nut to body and torque to 10 ft-lbs.

FIGURE 9

Side View of Piston Orifice



REFRIGERANT LINE INSTALLATION

Refrigerant lines must be connected by a licensed, EPA certified refrigerant technician in accordance with established procedures.

IMPORTANT:

- Connecting refrigerant lines must be clean, dehydrated, refrigerant-grade copper lines. Air handler coils should be installed only with specified line sizes for approved system combinations.
 - Use care with the refrigerant lines during the installation process. Sharp bends or possible kinking in the lines will cause a restriction.
 - Do not remove the caps from the lines or system connection points until connections are ready to be completed.
1. Route the suction and liquid lines from the fittings on the indoor coil to the fittings on the outdoor unit. Run the lines in a direct path, avoiding unnecessary turns and bends.
 2. Ensure that the suction line is insulated over the entire exposed length and that both suction and liquid lines are not in direct contact with floors, walls, ductwork, floor joists, or other piping.
 3. Connect the suction and liquid line to the evaporator coil.

4. To avoid damaging the rubber grommets in the cabinet while brazing, slide the rubber grommets over the refrigerant lines until they are away from the heat source.
5. Braze with an alloy of silver or copper and phosphorus with a melting point above 1,100°F. **NOTE:** Do not use soft solder.
6. Reinstall the rubber grommets after brazing is finished.
7. Make sure the outdoor air conditioning unit has been put in place according to the Installation Instructions and is connected to the refrigerant lines.

ADP recommends installing a filter drier and sight glass in the liquid line. While brazing, purge the system with Nitrogen to prevent contamination. ADP recommends reattaching and insulating the TXV sensing bulb at a 10 to 2 o'clock position on the suction line, outside the coil housing, no more than one foot from the connection. Evacuate the system to 500 microns to ensure proper air and moisture removal (**Note: Deep evacuation or triple evacuation method recommended**). Open the suction service valve slowly and allow the refrigerant to bleed into the system before opening the liquid service valve.

REFRIGERANT CHARGING INSTRUCTIONS

When charging in cooling mode, the outdoor temperature should be 60°F or higher. To allow the pressures to stabilize, operate the system a minimum of 15 minutes between adjustments. When adjusting charge to systems with micro-channel outdoor coils, make small (1 ounce or less) adjustments as these systems are very sensitive to refrigerant charge.

TXV Charging^{2, 3, 4} – Use the charging method recommended by the outdoor unit instructions. Alternatively, ADP recommends charging to 12°F sub-cooling for AC units and 10°F sub-cooling for heat pump units. In addition, if equipped with an adjustable valve, adjust to 10°F superheat.

Fixed Orifice Charging^{2, 3, 4} – Use the superheat recommended by the outdoor unit instructions. Alternatively, ADP recommends charging to the superheat table below.

Outdoor Air Temp. (°F)	60	65	70	75	80	85	90	95	100	105	110	115
Superheat (°F)	31	28	25	22	20	16	13	10	8	6	5	5

For heat pump units initially charged in the cooling mode, final adjustments to charge in the heating mode are acceptable if necessary. Some heat pump units require charging in the heating mode. In this case, refer to the outdoor instructions for recommended charging procedures.

If the system is undercharged after the initial charge, add refrigerant until the sight glass is clear and recommended pressures, temperatures, sub-cooling and superheat can be obtained. If the system is overcharged after the initial charge, recover refrigerant until recommended pressures, temperatures, sub-cooling and superheat can be obtained.

Notes:

1. If any problems or questions regarding charge occur, contact customer service.
2. OEM charging methods vary depending on design and application. Verify all recommended pressures, temperatures, sub-cooling and superheat settings result in the proper charge.
3. ADP coils may require charge compensation due to size variation versus the OEM coil.
4. Temperatures are ±2°F unless otherwise recommended.

ELECTRICAL CONNECTIONS

WARNING

Electrical Shock Hazard

Disconnect all power supplies before servicing.

Replace all parts and panels before operating.

Failure to do so can result in death or electrical shock.

Models with Electric Heat

1. Determine the number of circuits needed to supply the heater with electrical power (1 or 2 circuits). See the air handler Accessory Kit label for number of circuits and ratings.
2. Disconnect all power supplies.
3. Knock out the correct number of knockouts (1 or 2), and install UL listed wires and fittings.
4. Connect appropriate size wire to circuit breaker terminals. If circuit breakers are not provided, a terminal block is provided.
5. Connect green ground wire(s) (1 or 2) to the ground terminal(s) (1 or 2) marked
6. Install conduit-opening plugs in any unused openings.
7. Reinstall the air handler blower access panel.
8. Reconnect power.
9. Dispose of all remaining parts.

Models without Electric Heat

120V, 208/240V Installations—3 & 5 Speed Motors

1. Disconnect all power supplies.
2. Remove the air handler access panel.
3. Route the field supply wires to the air handler electrical connection box.
4. Using UL listed wire nuts; connect the field supply wires to the air handler, black-to-black and yellow-to-yellow (240V) or white to white (120V), as shown in Figure 10.
5. Connect ground wire to ground terminal marked
6. Replace the air handler access panel.
7. See “Wiring Diagram – 3-Speed Motor.”

208 Volt Conversion – 3-Speed Motors Only

1. Disconnect all power supplies.
2. Remove the air handler access panel.
3. Move the 2 connected black transformer leads from the 240 Volt terminals on the transformer to the 208 Volt terminals on the transformer. See “Wiring Diagram—3-Speed Motor.”

FIGURE 10

Field and Air Handler Wire Connections

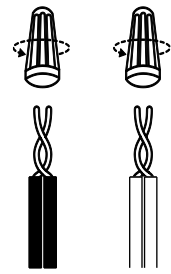


FIGURE 11

Field and Air Handler Wire Connections

- A. Ground terminal connection
- B. Black to black connection
- C. Yellow to yellow connection

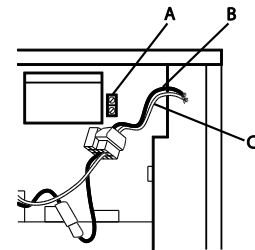
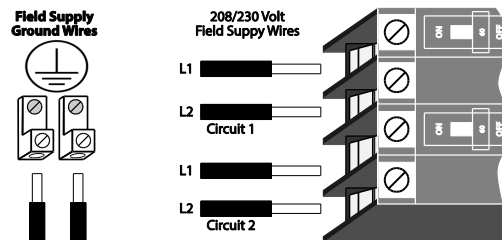


FIGURE 12

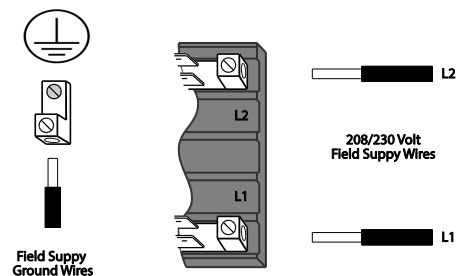
Connect to Circuit Breaker Air Handler Supply Voltage Wire Connections

NOTE: There are 2 ground terminals marked

shown in Figure 11. There may be 1, 2, or 3 ground terminals depending on the number of circuit breakers.



Connect to Terminal Block Air Handler Supply Voltage Wire Connections



AIR HANDLER CHECKS

Check Blower Operation

1. Set thermostat to FAN ON.
2. The indoor blower should come on.

Check Electric Heater (if used)

1. Set thermostat to call for auxiliary heat (approximately 5°F above ambient temperature). The indoor blower and auxiliary heat should come on together. Allow a minimum of three minutes for all sequencers to cycle on.
2. Set the thermostat so it does not call for heat. Allow up to five minutes for all sequencers to cycle off.

Check Airflow

Cooling Blower Speed:

- For proper cooling operation, the airflow through the indoor coil should be between 350 and 450 CFM per ton of cooling capacity (350 - 450 CFM per 12,000 BTU/HR) based on the rating of the outdoor unit.
- The cooling blower speed is factory configured to provide correct airflow for an outdoor unit that matches the maximum cooling capacity rating of the air handler.
- If the outdoor unit is smaller than the maximum cooling capacity rating for the air handler, the cooling blower speed may need to be changed. Refer to "Blower Performance Chart."

IMPORTANT: The cooling blower speed must be set to provide a minimum of 350 CFM airflow per ton (12,000 BTU/HR) of outdoor cooling capacity.

 WARNING 
 Electrical Shock Hazard
Disconnect all power supplies before servicing.
Replace all parts and panels before operating.
Failure to do so can result in death or electrical shock.

To change blower speed for 3-Speed Motor: (Refer to "Wiring Diagram – 3-Speed Motor.")

1. Disconnect all power supplies.
2. Remove the air handler access panel.
3. Locate pin number 2 on the blower relay. Two black wires are connected to this terminal pin. One wire connects to pin number 5 on the blower relay; one connects to an inline splice connecting to a blue wire.
4. Remove the wire going to the 4-pin blower motor connector from the splice.
5. Connect the blower lead (Red [LO], Blue [MED], Black [HI]) onto the splice from the 4-pin blower motor connector. **NOTE:** Unused blower speeds are shipped from the factory covered with a plastic cap. Remove this cap from the new blower speed terminal and replace it over the factory set blower terminal.
6. Replace all panels.
7. Reconnect power.

To change blower speed for 5-Speed High Efficiency ECM Motor:

(Refer to "Wiring Diagram – 5-Speed High Efficiency ECM Motor.")

1. Disconnect all power supplies.
2. Remove the air handler access panel.
3. Locate low voltage terminal block on air handler.
4. Reduced airflow single stage installation (1/2 ton lower airflow):
 - a. Move motor tap 2 (BRN) to Y1.
 - b. Move motor tap 3 (YEL) to W2.
5. High static single stage installation:
 - a. Jumper terminals Y1 and DS
6. Typical 2-stage installation:
 - a. Move motor tap 3 (YEL) to Y2 terminal.
 - b. Move motor tap 2 (BRN) to Y1 terminal.
7. Reduced airflow 2-stage installation (1/2 ton lower airflow):
 - a. Move motor tap 2 (BRN) to Y2 terminal.
 - b. Move motor tap 1 (GRN) to Y1 terminal.
 - c. Move motor tap 3 (YEL) to G terminal.
 - d. **NOTE:** A call for "fan on" will provide higher CFM than normal operation.
8. High static 2-stage installation:
 - a. Move motor tap 5 (BLK) to Y2 terminal.
 - b. Move motor tap 3 (YEL) to DS terminal.
 - c. Move motor tap 2 (BRN) to Y1 terminal.
9. Replace all panels.
10. Reconnect power.

SEQUENCE OF OPERATIONS

Cooling (cooling only or heat pump)

When the thermostat calls for cooling, the circuit between R and G is completed, and the blower relay is energized. The Normally Open contacts close, causing the indoor blower motor to operate. The circuit between R and Y is also completed; this circuit closes the contractor in the outdoor fan motor. Circuit R and O energizes the reversing valve, switching it to the cooling position. (The reversing valve remains energized as long as selector switch is on the COOL position.)

Heating (electric heat only)

When the thermostat calls for heat, the circuit between R and W is completed, and the heater sequencer is energized. A time delay follows before the heating elements and the indoor blower motor comes on. Units with a second heat sequencer can be connected with the first sequencer to W on the thermostat sub base or connected to a second stage on the sub base.

Heating (heat pump)

When the thermostat calls for heat, the circuits between R-Y and R-G are completed. Circuit R-Y energizes the contactor starting the outdoor fan motor and the compressor. Circuit R-G energizes the blower relay starting the indoor blower motor. If the room temperature should continue to fall, the second stage heat room thermostat completes the circuit between R-W1. Circuit R-W1 energizes a heat sequencer. The completed circuit will energize supplemental electric heat. Units with a second heater sequencer can be connected with the first sequencer to W1 on the thermostat or connected to a second heating stage W2 on the thermostat sub base.

Emergency Heat (heating heat pump)

If selector switch on thermostat is set to the emergency heat position, the heat pump will be locked out of the heating circuit, and all heating will be electric heat (if applicable). A jumper is necessary so that the electric heat control will transfer to the first stage heat on the thermostat. This will allow the indoor blower to cycle on and off with the electric heat when the fan switch is in the AUTO position.

AIR HANDLER MAINTENANCE

At the beginning of each heating season the unit should be serviced by a qualified installer or servicing agency.

ASSITANCE OR SERVICE

If you need further assistance, you may contact us at the address below with any questions or concerns. Please include a daytime phone number in your correspondence.

Advanced Distributor Products
1995 Air Industrial Park Road
Grenada, MS 38901
www.adpnow.com

ADP AIR HANDLER LIMITED WARRANTY

Term of Warranty

Advanced Distributor Products (ADP) warrants that products sold shall be of merchantable quality, free of defects in material and workmanship, under normal use and service, for a period of five (5) years from the date of installation, **not** to exceed six (6) years from the date of manufacture subject to the terms of ADP's limited warranty.

For information on this product's warranty, including accessing complete warranty terms, registering for an extended warranty* or instructions on filing a warranty claim, please go to www.ADPwarranty.com.

** In such states or provinces where registration requirements are prohibited, failure to complete registration by the consumer does not diminish his or her warranty rights.*

Equipment Information

Please *complete information below and retain this warranty for records and future reference.*

Unit Model Number: _____

Serial Number: _____

Installing Contractor: _____

Installation Date: _____

Phone: _____





Instructions d'installation

Série F

Ventilo-convecteurs compacts Premier

Électricité ou pas de chauffage, avec moteur ECM à 5 vitesses haute efficacité disponible

TABLE DES MATIÈRES	PAGE	PAGE	
Sécurité du ventilo-convecteur	1	Inclinaison du drain	18
Généralités	2	Installation du drain de condensat	18
Schéma de câblage	3	Exigences en matière de conduits	19
Connexions du thermostat.....	7	Installation des gaines	19
Rendement du ventilateur.....	10	Dispositif de mesure	19
Inspecter l'expédition.....	13	Installation de la conduite de réfrigérant.....	20
Outils et pièces	13	Instructions de chargement du réfrigérant	20
Exigences du Système Extérieur.....	14	Raccordements électriques	21
Exigences relatives à l'emplacement.....	14	Vérifications du ventilo-convecteur	22
Dégagements d'installation.....	14	Séquence de fonctionnement	23
Installation de l'étiquette	15	Entretien du ventilo-convecteur	23
Exigences électriques.....	15	Assistance ou service	23
Options de Configuration.....	16	Garantie	24
Connexions de drainage.....	17		

SÉCURITÉ DU VENTILO-CONVECTEUR

CONSIDÉRATIONS DE SÉCURITÉ

Votre sécurité et celle des autres sont très importantes.

Nous avons fourni de nombreux messages de sécurité importants dans ce manuel et sur votre appareil. Toujours lire et respecter tous les messages de sécurité.

Il s'agit du symbole d'alerte de sécurité.

Ce symbole vous avertit des dangers potentiels qui peuvent vous tuer ou vous blesser, ainsi que d'autres personnes.



Tous les messages de sécurité suivent le symbole d'alerte de sécurité et le mot de signal. Ces mots signifient ce qui suit :

DANGER: Vous pouvez être tué ou gravement blessé si vous ne suivez pas immédiatement les instructions.

AVERTISSEMENT: Indiquer une situation potentiellement dangereuse

qui, si elle n'est pas évitée, peut entraîner la **mort ou des blessures graves**.

ATTENTION: Indique une situation potentiellement dangereuse qui, si elle n'est pas évitée, peut entraîner des **blessures mineures ou modérées**. Des précautions peuvent également être prises pour prévenir les pratiques dangereuses.

AVIS: Indique une déclaration de politique de l'entreprise car le message concerne directement ou indirectement la sécurité du personnel ou la protection des biens.

IMPORTANT: Des informations plus détaillées concernant l'énoncé de la politique de l'entreprise car le message concerne directement ou indirectement la sécurité du personnel ou la protection des biens.

Tous les messages de sécurité vous indiqueront le danger potentiel, vous indiqueront comment réduire le risque de blessure et vous indiqueront ce qui peut se passer si les instructions ne sont pas respectées.



ATTENTION



Cet appareil n'est pas conçu pour être utilisé par des personnes (y compris des enfants) ayant des capacités physiques, sensorielles ou mentales réduites, ou un manque d'expérience et de connaissances, sauf si elles ont été surveillées ou que des instructions ont été données concernant l'utilisation de l'appareil par une personne responsable de leur sécurité. Les enfants doivent être surveillés pour s'assurer qu'ils ne jouent pas avec l'appareil.



L'amélioration des produits est un processus continu chez Advanced Distributor Products. Par conséquent, les spécifications du produit peuvent être modifiées sans préavis et sans obligation de notre part. Veuillez contacter votre représentant ou distributeur ADP pour vérifier les détails.

© 2025 par Advanced Distributor Products. Tous droits réservés.

Sécurité du ventilo-convecteur



IMPORTANT



Cette unité est un CLIMATISEUR À UNITÉ PARTIELLE, conforme aux exigences de la présente norme en matière d'UNITÉ PARTIELLE, et ne doit être connectée qu'à d'autres unités qui ont été confirmées comme étant conformes aux exigences correspondantes de la présente norme, UL 60335-2-40/CSA C22.2 n° 60335-2-40, ou UL 1995/CSA C22.2 n° 236.



IMPORTANT



Une installation, un réglage, une modification, une maintenance et/ou un entretien incorrects peuvent entraîner des dommages matériels ou des blessures graves, voire mortelles. L'installation et l'entretien doivent être assurés par un installateur de CVCA professionnel certifié (ou l'équivalent), une société de service ou le fournisseur du gaz.



IMPORTANT



La loi sur la lutte contre la pollution atmosphérique (Clean Air Act) de 1990 interdit la mise à l'air volontaire du réfrigérant (CFC et HFC). Les méthodes de récupération approuvées doivent être respectées. La non conformité entraîne l'imposition éventuelle d'amendes et/ou l'emprisonnement.



IMPORTANT



Cette unité est une UNITÉ PARTIELLE; elle ne doit être connectée qu'à un appareil utilisant le même réfrigérant que celui indiqué sur la plaque signalétique de cette unité.



AVIS



L'altitude maximale de l'application est de 3 200 m au-dessus du niveau de la mer.

GÉNÉRALITÉS

Ces instructions sont données à titre indicatif uniquement et ne remplacent en aucun cas les codes nationaux ou locaux. La conformité à tous les codes locaux, provinciaux ou nationaux applicables à ce type d'équipement doit être déterminée avant l'installation.

Lire ce manuel d'instructions dans son intégralité, ainsi que les instructions fournies avec l'équipement séparé, avant de commencer l'installation.

Tous les modèles sont conçus pour utilisation à l'intérieur uniquement.

L'installation du ventilo-convecteur, du câblage sur place, des conduits d'air chaud, etc. doit être conforme aux exigences du Code national de l'électricité, ANSI/NFPA no. 70 (dernière édition) aux États-Unis, ainsi qu'aux lois d'État et ordonnances locales (y compris les codes de plomberie ou des eaux usées). Les autorités compétentes locales doivent être consultées avant l'installation. De telles réglementations ou exigences applicables prévalent sur les instructions générales de ce manuel.

Installer le plénum d'air conditionné, les conduits et les filtres à air (non fournis) conformément à la norme NFPA 90B relative à l'installation des systèmes de climatisation et de chauffage à air chaud (dernière édition).

Certains modèles sont configurés pour le refoulement d'air ascendant uniquement et d'autres pour le refoulement d'air ascendant ou horizontal à gauche.

Ne pas retirer pas les ouvertures défonçables de l'armoire avant d'avoir déterminé quelles ouvertures devront être retirées pour l'installation.

Choisir la position d'installation finale qui convient le mieux aux conditions du site. Tenir compte des dégagements



AVERTISSEMENT



Choc électrique

Déconnecter l'alimentation électrique avant de procéder à l'entretien.

Remettre toutes les pièces et panneaux en place avant de les utiliser.

Mettre le ventilo-convecteur à la terre.

Connecter le fil de terre à la borne de terre marquée

Le non-respect de cette consigne peut entraîner la mort ou un choc électrique.

Danger d'explosion

Tenir les matériaux et vapeurs inflammables, comme l'essence, à l'écart de cette unité.

Placer cette unité de manière à ce que les éléments chauffants soient à au moins 18 po (46 cm) au-dessus du sol pour une isolation dans le garage.

Le non-respect de ces instructions peut entraîner la mort, une explosion ou un incendie.



obligatoires, de l'espace, des exigences d'acheminement de la conduite de réfrigérant, de l'évacuation du condensat, des filtres, du système de conduits, du câblage et de l'accessibilité pour l'entretien. Se référer à la plaque signalétique du ventilo-convecteur pour des informations spécifiques.

SCHÉMA DE CÂBLAGE

Réf. Pièce : 67828000 | SCHÉMA DE CÂBLAGE, PSC, 120 V, SANS CHAUFFAGE ÉLECTRIQUE

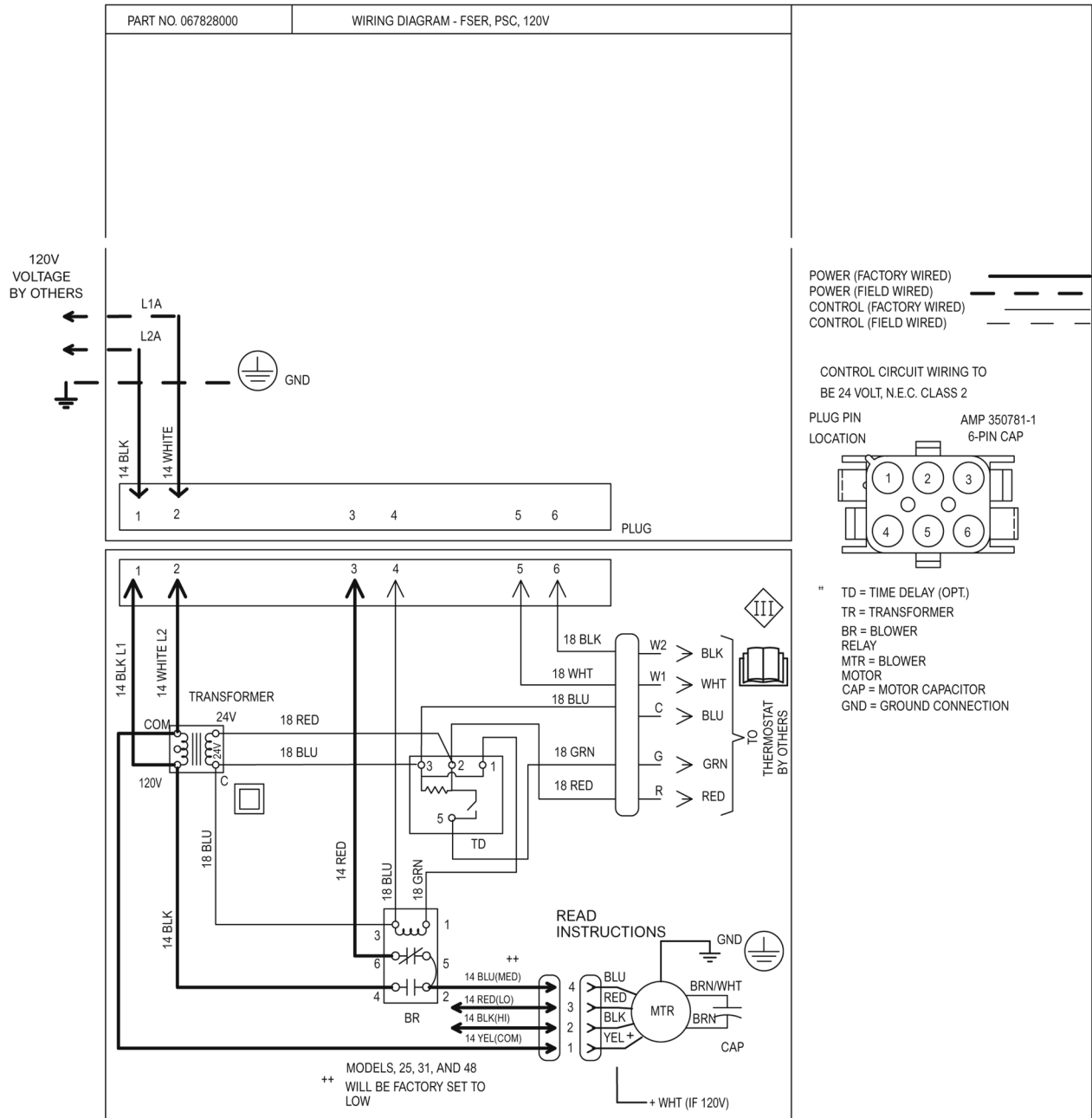


SCHÉMA DE CÂBLAGE

Réf. Pièce : 67843900 | SCHÉMA DE CÂBLAGE, PSC, 240 V

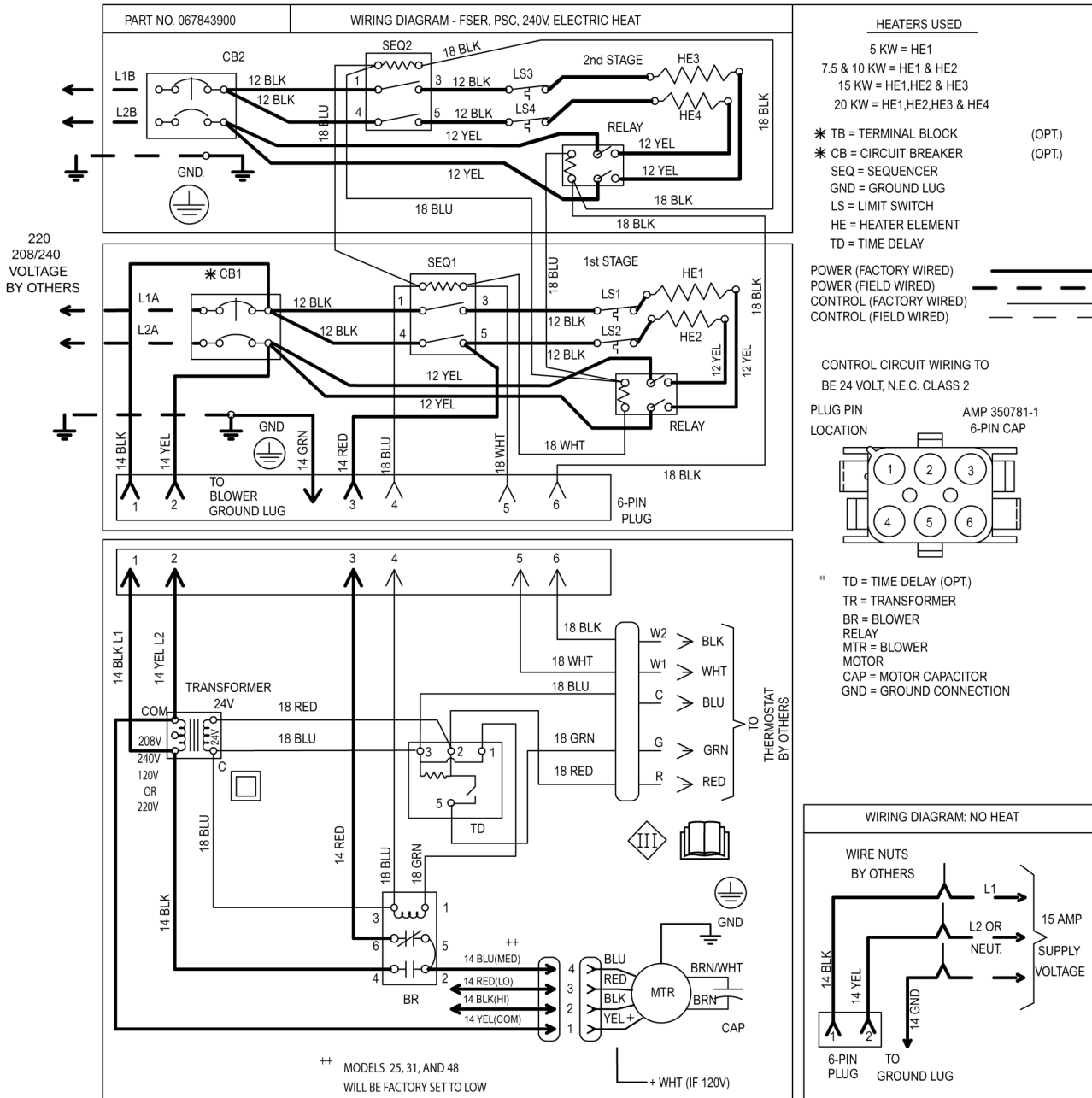


SCHÉMA DE CÂBLAGE

Réf. Pièce : 67843700 | SCHÉMA DE CÂBLAGE, ECM, 120 V, SANS CHAUFFAGE ÉLECTRIQUE

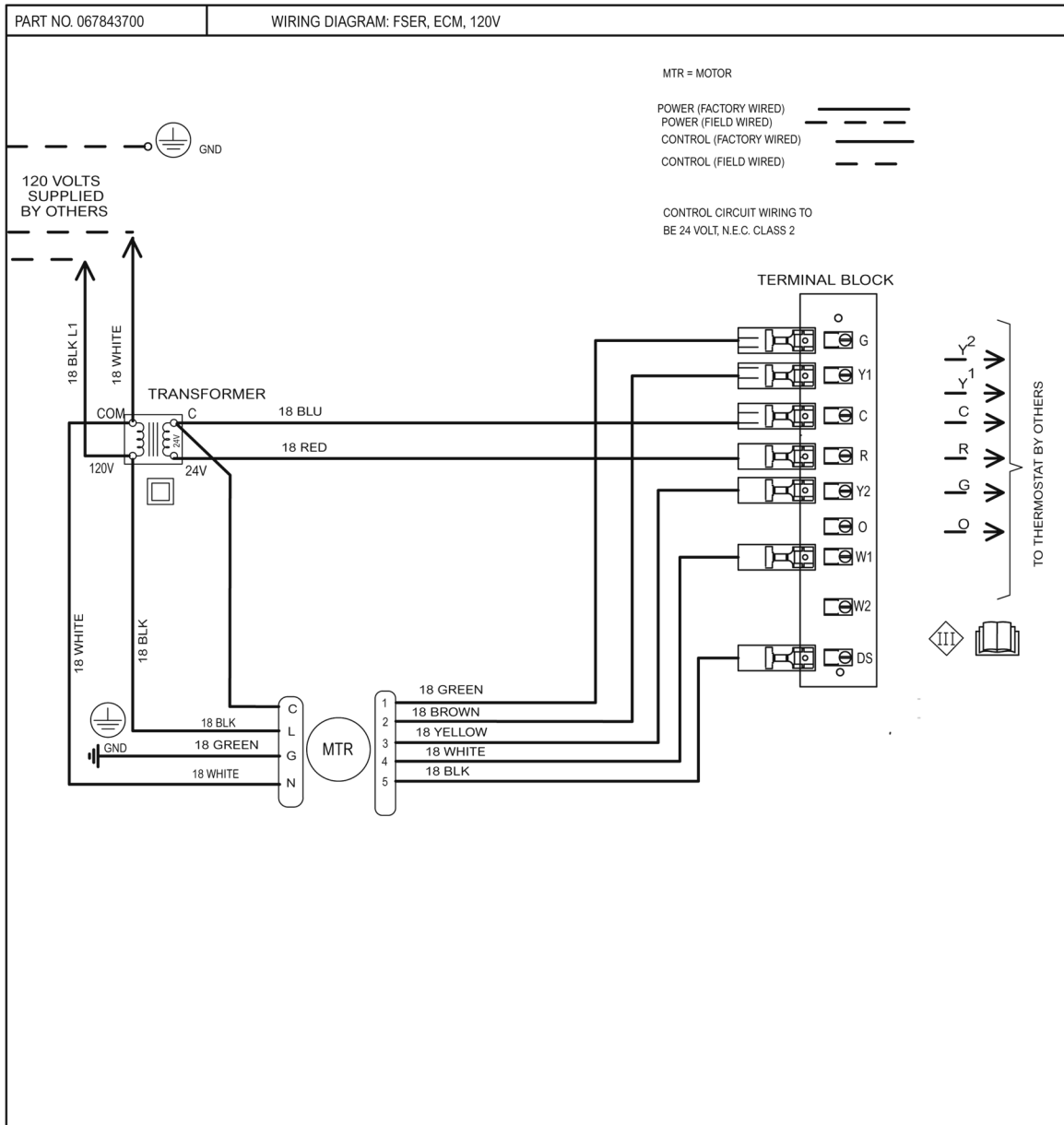
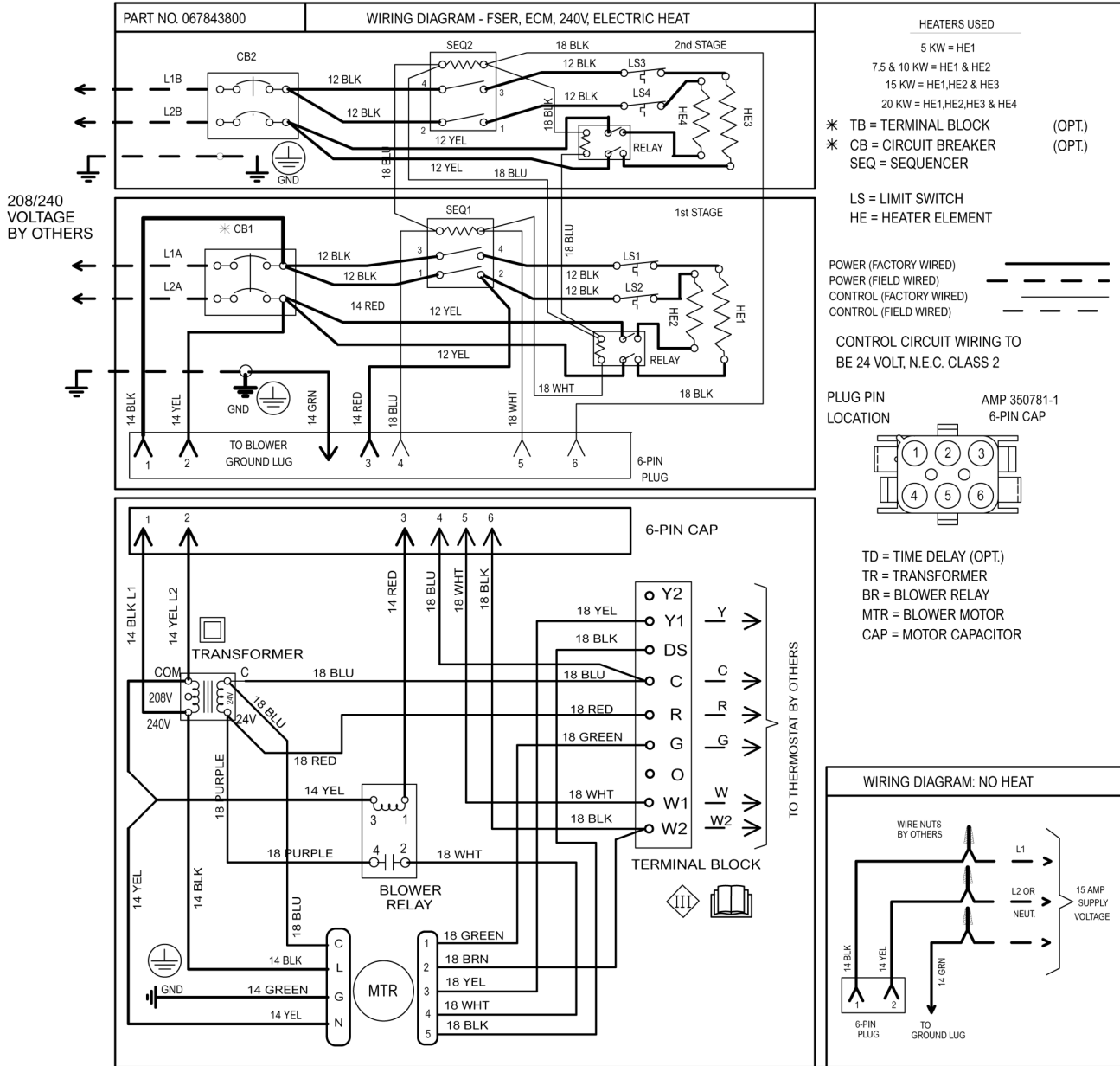


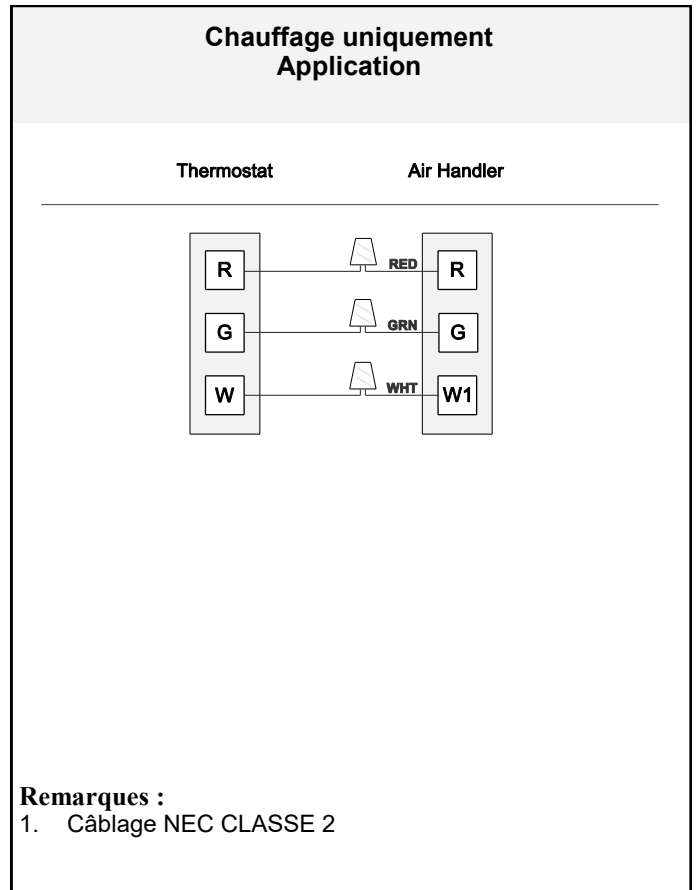
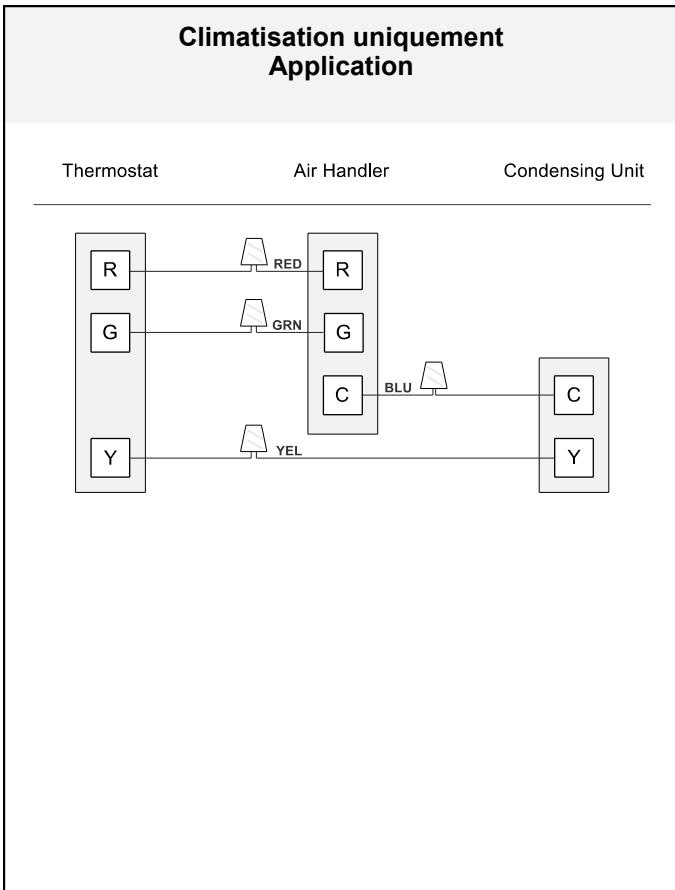
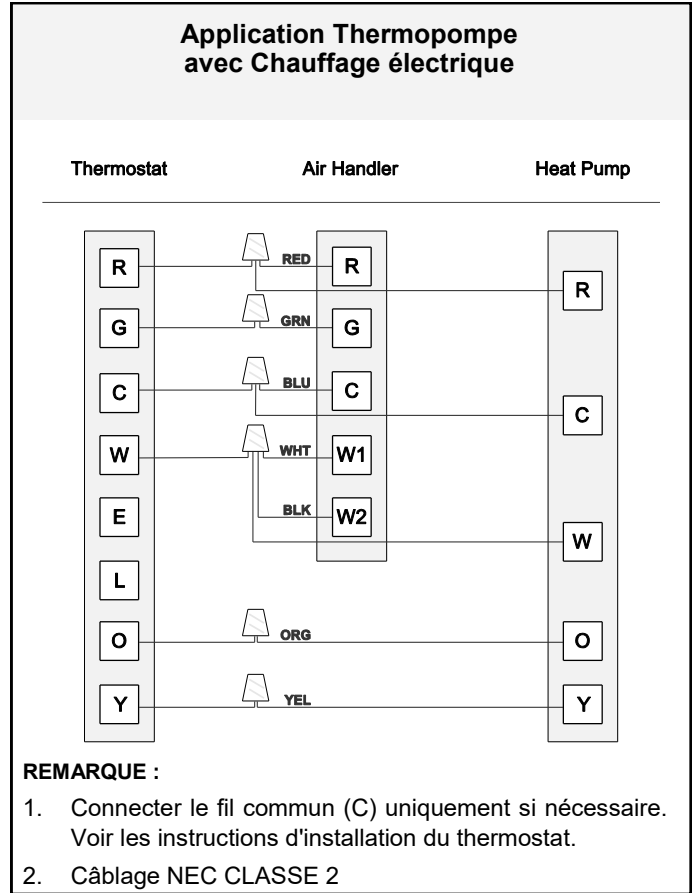
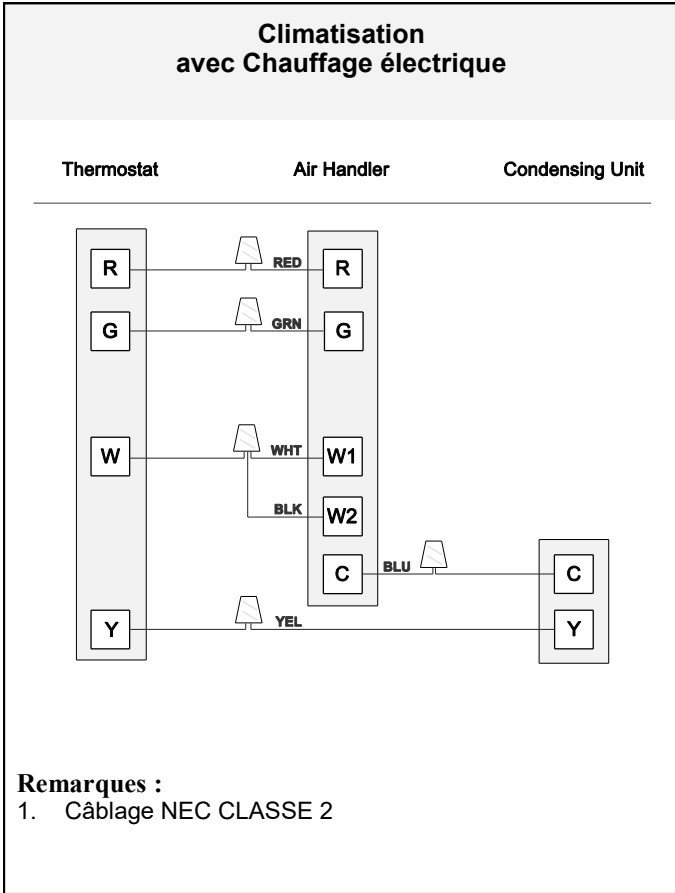
SCHÉMA DE CÂBLAGE

Réf. Pièce : 67843800 | SCHÉMA DE CÂBLAGE, ECM, 240 V



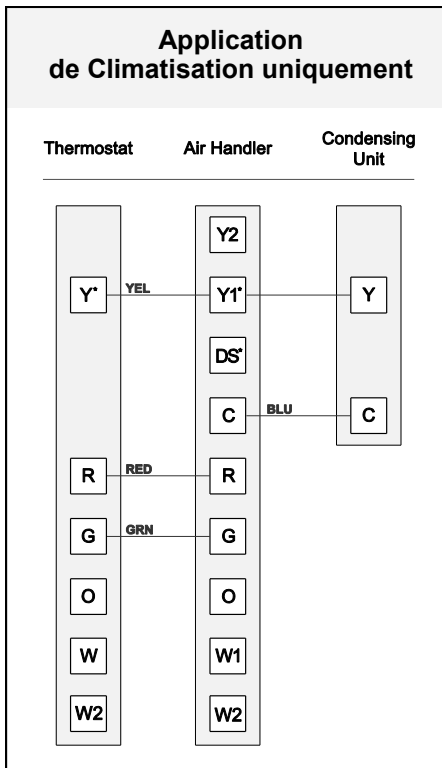
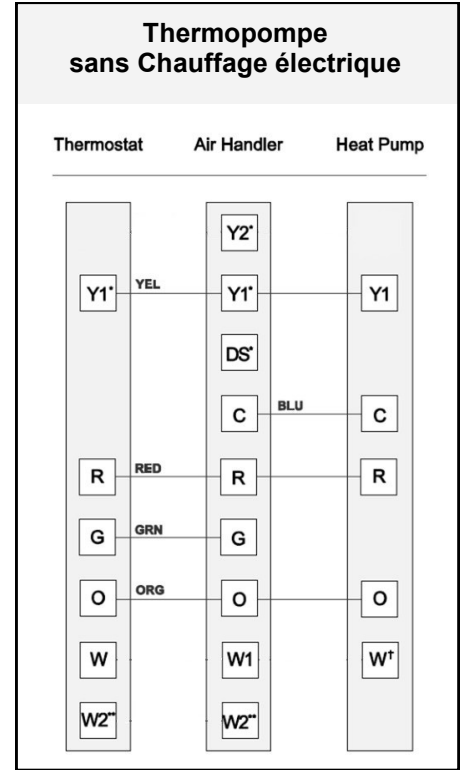
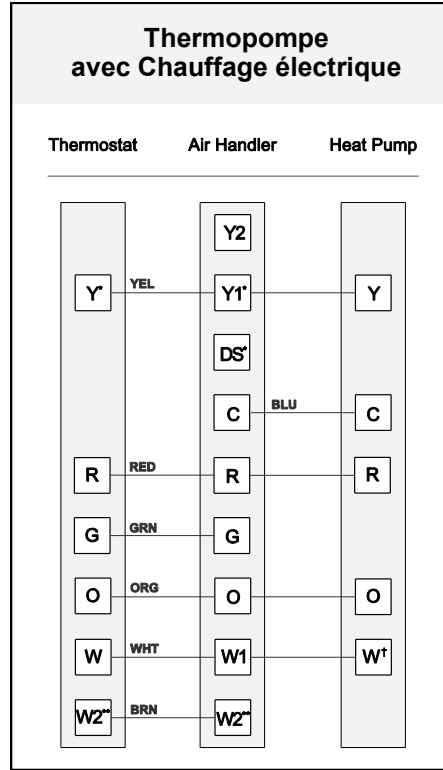
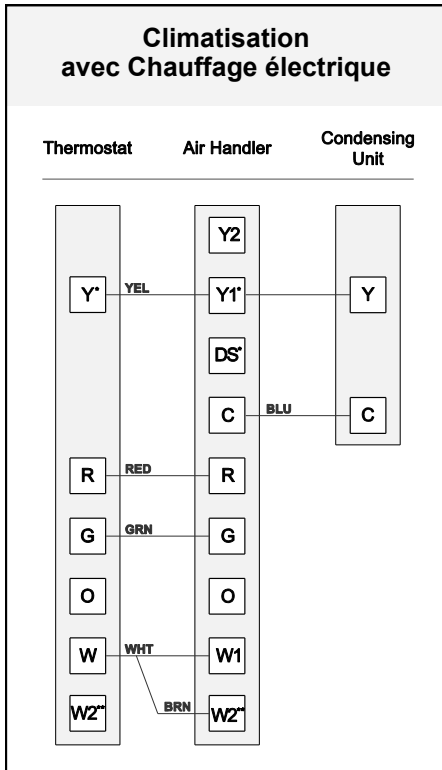
CONNEXIONS DU THERMOSTAT

Connexions typiques du thermostat 1-Stage : moteur PSC à 3 vitesses



CONNEXIONS DU THERMOSTAT

Connexions typiques des thermostats 1-Stage : moteur ECM à 5 vitesses et rendement élevé



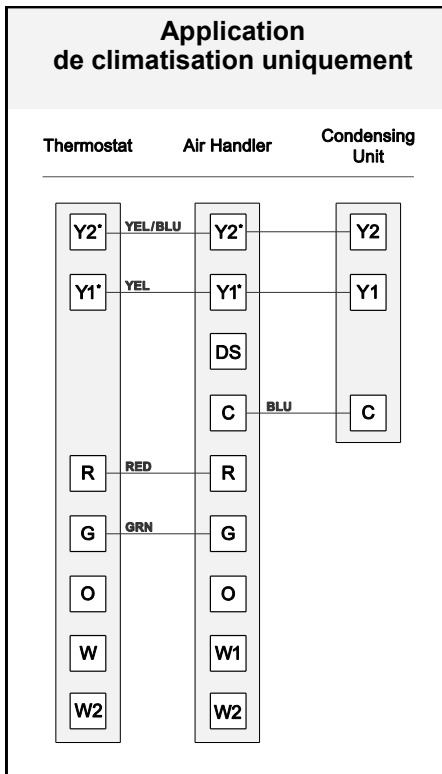
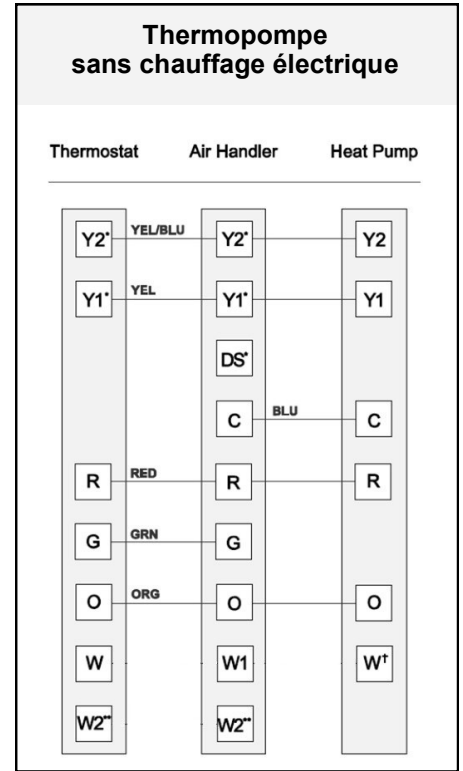
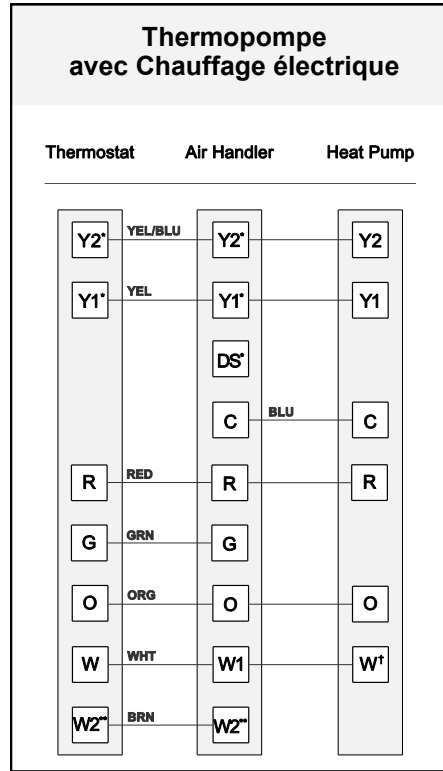
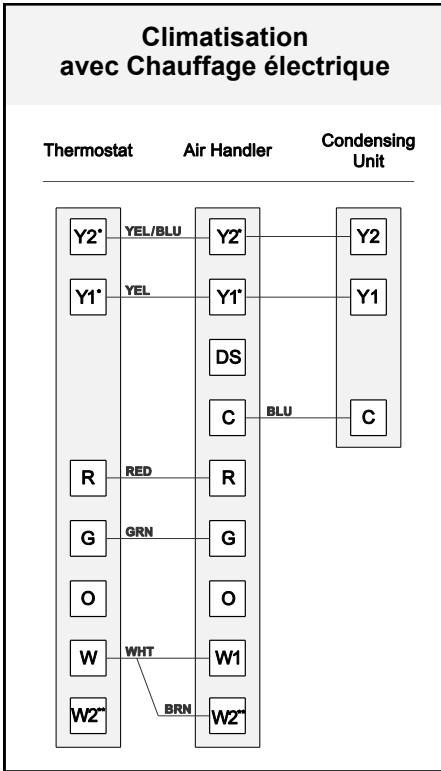
- * Pour les systèmes à forte électricité statique, cavaliers « Y1 » et « DS » au niveau du bornier du ventilo-convecteur
- ** Pour chauffage à un stage, cavaliers « W1 » et « W2 » au niveau du bornier du ventilo-convecteur
- † La connexion « W » de la thermopompe peut aussi être appelée « X2 »

Remarques :

1. Câblage NEC CLASSE 2

CONNEXIONS DU THERMOSTAT

Connexions typiques des thermostats 2-Stage : moteur ECM à 5 vitesses et rendement élevé



Pour un fonctionnement typique à 2 stages, déplacer la prise 3 (JAUNE) du moteur sur Y2 et la prise 2 (BRN) du moteur sur Y1.

* Pour les changements de vitesse du ventilateur et du système à forte électricité statique, voir page 14.

** Pour chauffage à un stage, cavaliers « W1 » et « W2 » au niveau du bornier du ventilateur-convecteur

† La connexion « W » de la thermopompe peut aussi être appelée « X2 »

Remarques : Câblage NEC CLASSE 2

RENDEMENT DU VENTILATEUR

Moteur PSC à 3 vitesses :

- Toutes les données sont données quand le ventilateur fonctionne avec un serpentin sec et un filtre à air installés.
- Le marché des vitesses ***avec un astérisque** sont les réglages de vitesse usine pour le chauffage et la climatisation.
- La vitesse de chauffage ne doit pas être inférieure au réglage usine.
- Différentes vitesses peuvent être réglées pour le mode Climatisation; voir les instructions d'installation pour modifier les vitesses de climatisation
- Pour un fonctionnement descendant, utiliser le prochain réglage de vitesse la plus élevée disponible. S'il est réglé à vitesse élevée par rapport à l'usine, utiliser vitesse élevée pour le débit descendant.

Moteur PSC 120 V à 3 vitesses

Moteur PSC 208/240 V à 3 vitesses

		Débit d'air (CFM) vs. Pression statique extérieure (pouces d'eau)							Débit d'air (CFM) vs. Pression statique extérieure (pouces d'eau)				
Taille	Vitesse	0,10	0,20	0,30	0,40	0,50	Taille	Vitesse	0,10	0,20	0,30	0,40	0,50
18	Faible	431	424	425	403	385	18	Faible	505	499	487	434	397
	*Moy.	645	645	645	641	597		Moy.	653	634	625	600	512
	Maxi	804	804	804	793	765		*Maxi	891	853	812	778	733
24	Faible	530	525	519	507	483	24	Faible	663	624	583	578	562
	*Moy.	925	915	875	823	736		Moy.	902	864	822	792	744
	Maxi	1189	1110	1016	917	826		*Maxi	1159	1097	1031	960	893
25	*Mini	998	956	905	844	770	25	*Mini	867	839	803	780	733
	Moy.	1045	1004	962	871	785		Moy.	1044	1015	991	941	889
	Maxi	1089	1036	980	905	826		Maxi	1260	1234	1200	1149	1098
30	Faible	998	956	905	844	770	30	Faible	867	839	803	780	733
	*Moy.	1045	1004	962	871	785		*Moy.	1044	1015	991	941	889
	Maxi	1089	1036	980	905	826		Maxi	1260	1234	1200	1149	1098
31	*Mini	945	930	912	869	793	31	*Mini	1143	1112	1081	1047	1015
	Moy.	1150	1145	1123	1166	1004		Moy.	1268	1233	1186	1165	1133
	Maxi	1291	1291	1285	1277	1200		Maxi	1415	1390	1352	1314	1260
36	Faible	945	930	912	869	793	36	Faible	1143	1112	1081	1047	1015
	*Moy.	1150	1145	1123	1166	1004		*Moy.	1268	1233	1186	1165	1133
	Maxi	1291	1291	1285	1277	1200		Maxi	1415	1390	1352	1314	1260
42	*Mini	1393	1378	1366	1246	1167	37	*Mini	1318	1299	1270	1210	1147
	Moy.	1603	1592	1575	1540	1443		Moy.	1444	1409	1374	1294	1220
	Maxi	1811	1811	1805	1744	1674		Maxi	1712	1645	1544	1453	1328
48	Faible	1393	1378	1366	1246	1167	42	Faible	1318	1299	1270	1210	1147
	*Moy.	1603	1592	1575	1540	1443		*Moy.	1444	1409	1374	1294	1220
	Maxi	1811	1811	1805	1744	1674		Maxi	1712	1645	1544	1453	1328
60	Faible	1583	1583	1583	1567	1551	48	*Mini	1764	1709	1652	1563	1418
	*Moy.	1972	1972	1968	1882	1819		Moy.	1984	1884	1780	1683	1509
	Maxi	2169	2146	2096	2004	1908		Maxi	2031	1959	1832	1725	1617
60	Faible	1764	1709	1652	1563	1418	60	Faible	1764	1709	1652	1563	1418
	Moy.	1984	1884	1780	1683	1509		Moy.	1984	1884	1780	1683	1509
	*Maxi	2031	1959	1832	1725	1617		*Maxi	2031	1959	1832	1725	1617

RENDEMENT DU VENTILATEUR

Moteur ECM 5 vitesses haute efficacité 120 volts

- Toutes les données sont données quand le ventilateur fonctionne avec un serpentin sec.
- Le marché des vitesses **avec un astérisque* sont les réglages de vitesse usine pour le chauffage et la climatisation.
- Différentes vitesses peuvent être réglées pour le mode Climatisation; voir les instructions d'installation pour modifier les vitesses de climatisation.
- Pour un fonctionnement descendant, utiliser la prise de vitesse 5.

		Débit d'air (CFM) vs. Pression statique extérieure (pouces d'eau)					
Taille	Appuyez sur	0,10	0,20	0,30	0,40	0,50	0,60
18	1	529	492	429	367	328	289
	2	603	563	526	469	417	380
	*3	757	725	701	668	639	586
	4	806	777	746	720	692	661
	5	849	826	798	768	745	720
24	1	613	575	538	487	432	395
	2	769	737	711	678	648	594
	*3	955	926	899	871	842	814
	4	989	962	938	912	891	865
	5	1046	1024	996	971	945	919
25	1	687	633	573	482	424	373
	2	830	794	757	708	636	570
	*3	971	948	913	882	840	802
	4	1012	988	960	922	889	849
	5	1057	1040	1011	979	943	909
30	1	765	720	667	602	521	474
	2	971	950	913	879	836	797
	*3	1163	1141	1116	1090	1054	1025
	4	1203	1189	1168	1139	1112	1078
	5	1222	1202	1188	1161	1128	1102
31	1	853	793	724	658	525	475
	2	1047	999	948	898	840	785
	*3	1230	1185	1142	1104	1054	1007
	4	1268	1231	1189	1147	1106	1053
	5	1316	1273	1237	1196	1152	1108

		Débit d'air (CFM) vs. Pression statique extérieure (pouces d'eau)					
Taille	Appuyez sur	0,10	0,20	0,30	0,40	0,50	0,60
36	1	835	798	761	710	629	569
	2	1158	1137	1114	1088	1054	1024
	*3	1354	1327	1310	1290	1270	1239
	4	1418	1389	1369	1351	1327	1304
	5	1429	1412	1395	1379	1358	1330
37	1	908	851	794	730	632	535
	2	1232	1186	1142	1104	1054	1005
	*3	1432	1389	1346	1307	1272	1228
	4	1468	1426	1388	1350	1311	1275
	5	1504	1474	1438	1401	1363	1323
42	1	961	914	857	794	744	611
	2	1417	1377	1339	1299	1267	1223
	*3	1613	1574	1543	1508	1482	1447
	4	1669	1634	1600	1564	1530	1504
	5	1694	1665	1637	1603	1570	1537
48	1	1169	1106	1008	930	859	799
	2	1658	1615	1575	1532	1477	1409
	*3	1830	1792	1754	1737	1682	1622
	4	1863	1844	1809	1778	1740	1684
	5	1895	1855	1836	1805	1772	1714
60	1	1317	1298	1239	1162	1049	972
	2	1809	1752	1706	1707	1671	1619
	*3	1905	1851	1822	1784	1795	1756
	4	2013	1956	1908	1867	1890	1867
	5	2230	2171	2119	2072	2038	2048

RENDEMENT DU VENTILATEUR

Moteur ECM 5 vitesses haute efficacité 240 volts

- Toutes les données sont données quand le ventilateur fonctionne avec un serpentin sec et un filtre à air installés.
- Le marché des vitesses ***avec un astérisque** sont les réglages de vitesse usine pour le chauffage et la climatisation.
- La vitesse de chauffage ne doit pas être inférieure au réglage usine. Pour unité 18 et 24, utiliser la prise de vitesse 5 pour le chauffage
- Différentes vitesses peuvent être réglées pour le mode Climatisation; voir les instructions d'installation pour modifier les vitesses de climatisation.
- Pour un fonctionnement descendant, utiliser la prise de vitesse 5.

		Débit d'air (CFM) vs. Pression statique extérieure (pouces d'eau)							
Taille	Appuyez sur	0,10	0,20	0,30	0,35	0,40	0,45	0,50	0,60
18	1	492	448	393	361	361	333	307	273
	2	513	471	420	414	384	357	325	318
	*3	667	641	615	605	596	577	567	560
	4	705	673	665	648	630	621	603	590
	5	721	689	673	656	639	629	612	590
24, 25	1	732	627	590	581	571	545	536	525
	2	671	634	594	578	573	546	493	480
	*3	892	859	832	828	818	797	790	775
	4	911	866	839	832	825	818	804	760
	5	924	886	846	832	825	818	797	780
30, 31	1	871	830	778	722	671	635	625	586
	2	906	859	809	779	715	689	654	635
	*3	1085	1070	1048	1036	1024	1001	989	975
	4	1125	1103	1087	1059	1047	1024	1012	983
	5	1176	1146	1114	1098	1081	1059	1047	1029
36, 37	1	882	887	826	804	766	760	755	695
	2	1082	1037	1025	1002	990	959	921	881
	*3	1270	1250	1238	1228	1214	1189	1179	1162
	4	1290	1275	1265	1246	1236	1227	1212	1172
	5	1335	1315	1301	1287	1278	1259	1240	1225
42	1	1008	907	861	832	803	772	717	671
	2	1292	1243	1202	1192	1171	1149	1127	1070
	*3	1447	1430	1404	1377	1359	1340	1322	1283
	4	1534	1502	1476	1459	1433	1416	1398	1362
	5	1559	1519	1502	1477	1460	1434	1417	1381
48	1	1585	1494	1320	1252	1210	1151	1120	1088
	2	1510	1463	1414	1389	1363	1324	1256	1228
	*3	1675	1633	1579	1556	1545	1510	1487	1451
	4	1737	1697	1655	1633	1612	1590	1568	1545
	5	1781	1731	1679	1658	1637	1615	1593	1571
60	1	1394	1342	1288	1251	1172	1109	1077	1025
	2	1722	1666	1623	1594	1564	1534	1518	1471
	*3	2083	2048	2013	1990	1972	1947	1929	1885
	4	2179	2135	2101	2079	2056	2039	2021	1937
	5	2209	2166	2122	2101	2057	2058	2047	1956

INSPECTER L'EXPÉDITION



AVERTISSEMENT



Risque de poids excessif

Utiliser au moins deux personnes pour déplacer et installer le ventilo-convecteur.

Le non-respect de cette consigne peut entraîner des blessures au dos ou d'autres types de blessures.

Tous les ventilo-convecteurs sont testés. Chaque unité est composée d'un ensemble ventilateur, d'un serpentin de réfrigérant et de contrôles, dans une enceinte isolée finie en usine. Des détonations sont fournies pour l'entrée du câblage électrique.

1. Vérifier la plaque signalétique de l'unité pour confirmer que les spécifications correspondent à celles commandées.
2. À la réception de l'équipement, l'inspecter soigneusement pour déterminer s'il a été endommagé pendant le transport. Prendre soin d'examiner l'unité si le carton est endommagé.

En cas de dégâts, ces dégâts doivent être indiqués sur la liste de colisage du transporteur. Les demandes de dommages doivent être déposées immédiatement auprès du carrier. Les demandes de pénurie doivent être déposées auprès du vendeur dans les 5 jours.

REMARQUE : Si des dommages sont découverts et signalés au carrier, ne pas installer l'unité car votre réclamation peut être refusée.

OUTILS ET PIÈCES NÉCESSAIRES

Assembler les outils et les pièces nécessaires avant de commencer l'installation. Lire et suivre les instructions fournies avec tous les outils indiqués ici :

Tourne-écrou de 1/4 po

Niveau

Tournevis

Clé réglable

Ruban de mesure

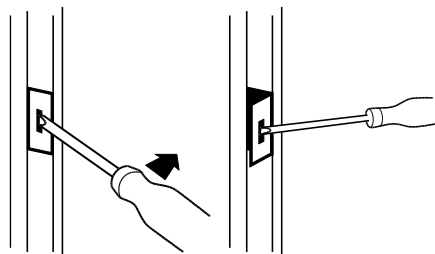
Marteau

Selant

Écrous de fils homologués UL

FIGURE 5

Réglage des languettes du support de filtres



Modèle	Taille du filtre
12 / 18 / 24	12 po x 20 po
25 / 30 / 36	16 po x 20 po
31 / 37 / 42 / 48 / 60	18 x 25 po

Si un filtre doit être installé, un support de filtre doit être formé à l'aide de brides fournies en usine comme illustré à la Figure 5.

1. Mettre le ventilo-convecteur sur le dos.
2. Serrer les languettes du support de filtre.
3. Placer le ventilo-convecteur en position verticale.

Orifice de remplacement (si nécessaire; voir « Dispositif de mesure »)

Vérifier les codes locaux, l'alimentation électrique existante et lire les sections « Exigences relatives aux conduites » et « Exigences électriques » avant d'acheter des pièces.

La taille correcte de l'orifice peut être contenue dans l'ensemble d'orifices de remplacement situé à l'intérieur du boîtier de contrôle de l'unité extérieure. Si cet ensemble ne contient pas l'orifice correct pour votre ventilo-convecteur, vous devez acheter l'orifice correct.

EXIGENCES DU SYSTÈME EXTÉRIEUR

Le ventilo-convecteur est conçu pour être utilisé avec des unités extérieures homologuées AHRI. Les sections intérieures sont fabriquées avec un dispositif de mesure du réfrigérant interchangeable pour assurer un contrôle optimal du réfrigérant et un rendement optimal du système avec

différentes capacités d'unités extérieures. Dans certains cas, l'indice AHRI peut exiger que le dispositif de mesure du réfrigérant du ventilo-convecteur soit changé pour obtenir un rendement nominal.

EXIGENCES RELATIVES À L'EMPLACEMENT

REMARQUE : Quand l'unité est installée dans un espace très humide et utilisée dans les applications de climatisation, une transpiration excessive peut se produire à l'extérieur de l'unité. Pour éviter les sueurs excessives, envelopper l'unité avec une isolation en fibre de verre de 1 po. Toutes les ouvertures doivent être étanchéifiées pour éviter les fuites d'air qui pourraient entraîner la formation de condensat à l'intérieur de l'enceinte.

- S'il est installé dans un espace non conditionné, un produit d'étanchéité doit être appliqué autour des fils électriques, des conduites de réfrigérant et de la conduite de condensat à l'endroit où ils entrent dans l'armoire.

- Les fils électriques doivent être scellés à l'intérieur, à l'endroit où ils sortent de l'ouverture du conduit. Un produit d'étanchéité est nécessaire pour empêcher les fuites d'air et la formation de condensat à l'intérieur du ventilo-convecteur, du boîtier de commande et des commandes électriques.
- Le ventilo-convecteur doit être installé de manière à permettre un accès libre au compartiment du serpentín/filtre et au compartiment du ventilateur/contrôleur.

DÉGAGEMENTS D'INSTALLATION

Le dégagement par rapport aux matériaux combustibles doit être de 0 po par rapport au corps de l'unité et de 0 po par rapport au plénum et à la gaine pendant les premiers 36 po.

Le ventilo-convecteur peut être installé dans un placard à faux fond pour former un plénum de retour d'air ou être installé avec un plénum de retour d'air sous le ventilo-convecteur.

Les registres ou grilles de retour d'air sont fournis sur place. Les codes locaux peuvent limiter l'application de systèmes sans conduit de retour dans les bâtiments à un étage.

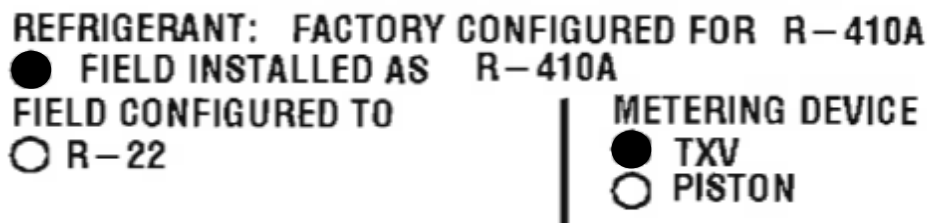
- Installer les registres dans un placard. Utiliser le « Tableau des exigences minimales du filtre » pour déterminer la taille de l'ouverture qui fournira la quantité d'air libre dont vous aurez besoin. En cas d'utilisation de registres ou de grilles, faire correspondre la surface libre du registre ou de la grille à la surface libre minimum de

retour d'air que vous avez déterminée nécessaire en consultant le « Tableau des exigences minimales du filtre ».



- Si la surface libre n'est pas connue, supposer une surface libre de 25 % pour le bois ou une surface libre de 75 % pour les registres et grilles métalliques.
- Si un plénum de retour d'air est utilisé, la grille de retour d'air doit être immédiatement devant l'ouverture du plénum pour permettre la libre circulation de l'air de retour.
- Lorsqu'elle n'est pas installés devant l'ouverture, il doit y avoir un espace suffisant autour du ventilo-convecteur pour permettre la libre circulation de l'air de retour.

INSTALLATION DE L'ÉTIQUETTE

Repérer en permanence l'étiquette de série avec le réfrigérant et le dispositif de mesure A1 (R-410A et R-22) appropriés utilisés. Voir exemple ci-dessous.



EXIGENCES ÉLECTRIQUES

⚠ AVERTISSEMENT ⚠	
 Risque d'électrocution!	
Mettre l'aérotherme électrique à la terre.	
Connecter le fil de terre à la borne de terre portant la mention « GND ».	
Utiliser un fil de cuivre homologué pour le raccordement de l'alimentation.	
Le tableau ci-dessous indique le calibre de fil correct.	
Le non-respect de ces instructions peut entraîner la mort ou un choc électrique.	

REMARQUE : Utiliser uniquement des conducteurs en cuivre.

- Tout le câblage sur place doit être effectué conformément au National Electrical Code, aux exigences applicables des codes UL et locaux, le cas échéant.
- Le câblage d'alimentation, les moyens de déconnexion et la protection contre les surtensions doivent être fournis par l'installateur. Se reporter à la plaque signalétique du ventilateur-convecteur de la série MX pour la protection maximale contre les surtensions, l'ampérage minimum du circuit et la tension de fonctionnement.
- L'alimentation électrique doit être dimensionnée et protégée conformément aux spécifications fournies avec le produit.
- Ce ventilateur-convecteur est configuré en usine pour 240 V monophasé, 60 cycles. Pour les applications 208 volts, voir « Conversion 208 volts » à la section « Effectuer des connexions électriques ».
- Pour les applications optionnelles avec aérotherme électrique, se reporter aux instructions fournies avec l'accessoire pour une installation correcte.

OPTIONS DE CONFIGURATION

Pour faciliter l'installation, il est préférable de modifier la configuration du serpentin avant de mettre le ventilo-convecteur en place.

- Les modèles verticaux ne contiennent qu'une seule cuvette de drainage.
- Les modèles multi-positions contiennent 2 cuvettes de drainage.

Installations verticales

Ascendante :

Le ventilo-convecteur doit être supporté par le dessous uniquement et installé sur un plancher solide ou un cadre de support fourni sur place. Fixer solidement le ventilo-convecteur au sol ou au cadre de support.

Descendante :

Un ensemble d'accessoires pour circulation descendante est disponible. Utiliser les instructions de conversion descendante fournies avec l'ensemble.

Les configurations horizontales

Les installations horizontales peuvent être alimentées en air à gauche ou à droite.

Un support adéquat doit être fourni pour assurer l'intégrité de l'enceinte.

Les unités montées à l'horizontale doivent être montées légèrement inclinées vers les connexions de drainage (voir Figure 6) de manière à ce que la cuvette de drainage se vide complètement sans que de l'eau ne se retienne dans la cuvette.

S'assurer qu'il y a suffisamment d'espace pour retirer les panneaux de service et d'accès si l'installation est horizontale.

IMPORTANT:

- Ce serpentin est fourni avec un drain secondaire qui doit être piégé et raccordé à un endroit qui avertit

Conversion de Vertical à Horizontal

Un ventilo-convecteur ascendant uniquement peut être converti en refoulement d'air horizontal en installant un ensemble de cuvette de drainage horizontale (voir accessoires). Un ventilo-convecteur ascendant/horizontal peut être converti d'un refoulement horizontal à gauche à un refoulement horizontal à droite sans pièces supplémentaires.

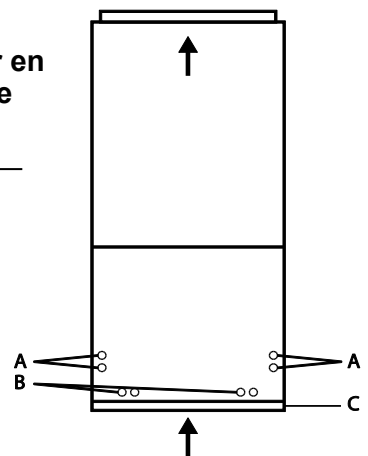
visuellement l'occupant que le drain primaire est bouché. Voir « Installation du drain de condensat ».

- Lorsqu'un serpentin d'évaporateur est installé dans un grenier ou au-dessus d'un plafond fini, une cuvette de drainage auxiliaire doit être installée sous le ventilo-convecteur comme spécifié par la plupart des codes du bâtiment locaux, et doit avoir un encombrement supérieur à celui du ventilo-convecteur.
- Agrandir l'isolation de la conduite d'aspiration de 2 po dans l'enceinte du serpentin pour empêcher l'humidité de s'égoutter sur l'isolation (il peut être nécessaire de retirer l'œillet en caoutchouc).

FIGURE 1

Ventilo-convecteur en position verticale ascendante

- A. Raccordements de drainage horizontal gauche ou droit
- B. Raccords de drainage ascendants
- C. En dessous/cadre du filtre



Installation de l'enceinte suspendue

REMARQUE : Le ventilo-convecteur doit être positionné d'un côté parallèle au sol en position horizontale, avec un pas de 1/2 po vers le drain. Les dispositifs de suspension doivent être fabriqués sur place et doivent être composés d'au moins deux « socles » fabriqués en fixant deux tiges filetées de 3/8 po à un entretoise de 1-5/8 x 7/8 po. Les socles ne doivent pas interférer avec le retrait du panneau, les connexions de drainage ou les connexions de réfrigérant.

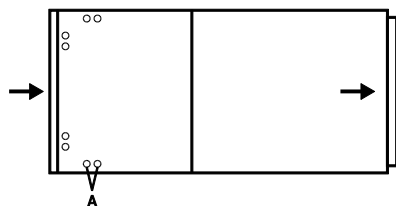
CONNEXIONS DE DRAINAGE

FIGURE 2

Ventilo-convecteur en position horizontale

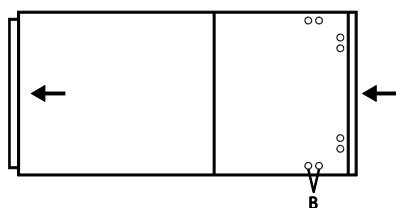
Horizontale droite

Nécessite un changement d'emplacement de la cuvette de drainage



Horizontal gauche

Prêt en usine (sur les modèles multi-positions)



Les installations horizontales peuvent être « droite » ou « gauche ».

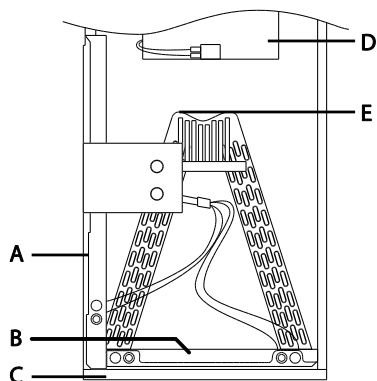
Pour les installations horizontales à droite, un changement d'emplacement de la cuvette de drainage est nécessaire. Utiliser les raccords de drainage « A » (Figure 2). Pour les installations horizontales à gauche, utiliser les raccords de drainage marqués « B » (Figure 2).

Suivre ces étapes pour modifier la cuvette de drainage pour une configuration horizontale droite.

1. Retirer et mettre de côté le ventilateur et les panneaux d'accès avant.
2. Retirer le support du serpentin.
3. Retirer soigneusement le serpentin, la cuvette de drainage inférieure et la cuvette de drainage latérale du ventilo-convecteur.
Attention : Prendre soin de retirer l'ensemble serpentin de l'unité. L'installation dans cette configuration peut faire basculer le serpentin dans l'unité une fois dégagé de l'enceinte. Supporter le serpentin lors de son retrait.
4. Déplacer la cuvette de drainage latérale du côté opposé.
5. Remonter l'ensemble serpentin modifié dans le ventilo-convecteur dans la même orientation qu'auparavant.
6. Installer le support du serpentin du côté opposé du ventilo-convecteur.
7. Écraser les panneaux nécessaires pour les connexions des conduites de drainage.
8. Remplacer les portes d'accès au ventilateur et au serpentin.

FIGURE 3

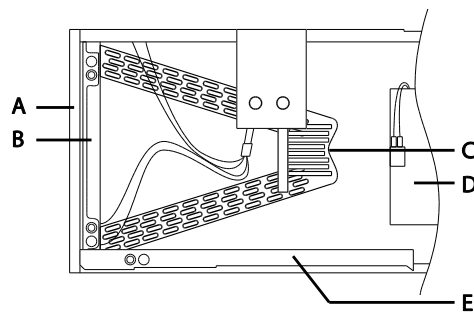
Vue avant du ventilo-convecteur sans panneau d'accès avant



- | | |
|----------------------------------|----------------------------|
| A. Cuve de drainage latérale | C. Porte d'accès au filtre |
| B. Bas de la cuvette de drainage | D. Ventilateur |
| | E. Capuchon supérieur |

FIGURE 4

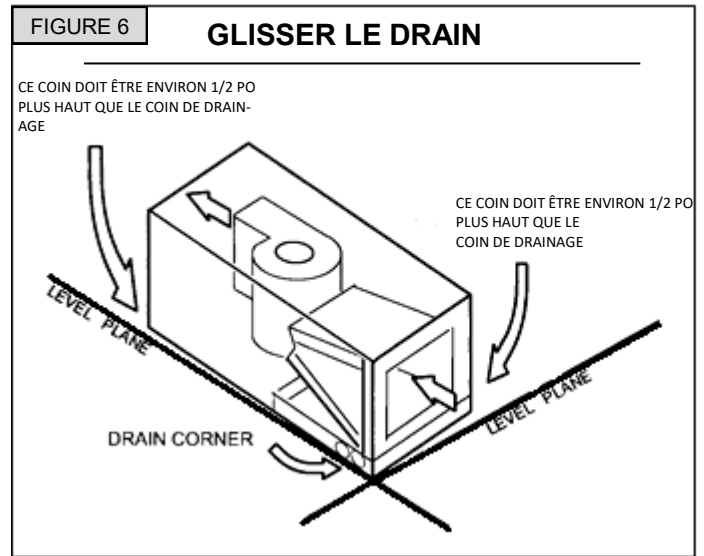
Vue avant du ventilo-convecteur en position horizontale sans panneau d'accès avant après conversion



- | | |
|----------------------------------|------------------------------|
| A. Porte d'accès au filtre | D. Ventilateur |
| B. Bas de la cuvette de drainage | E. Cuve de drainage latérale |
| C. Capuchon supérieur | |

INCLINAISON DU DRAIN

S'assurer que l'unité est inclinée d'environ 1/2 po (similaire à la pente illustrée à la Figure 6) pour assurer un drainage correct du condensat. **REMARQUE** : Une pente supérieure à 5/8 po peut causer un refoulement dans le trou de drainage auxiliaire en cas d'électricité statique élevée.



INSTALLATION DU DRAIN DE CONDENSAT

Le ventilateur-convecteur est équipé de raccords NPT de 3/4 po pour le drainage du condensat.

Un bac de drainage secondaire fabriqué sur place, avec un tuyau de drainage vers l'extérieur du bâtiment, est nécessaire pour toute installation sur un espace de vie fini ou dans toute zone pouvant être endommagée par le débordement du bac de drainage principal. Dans certaines localités, les codes locaux peuvent exiger un bac de drainage secondaire pour toute installation horizontale. La cuvette de drainage secondaire doit avoir un encombrement supérieur à celui du ventilateur-convecteur.

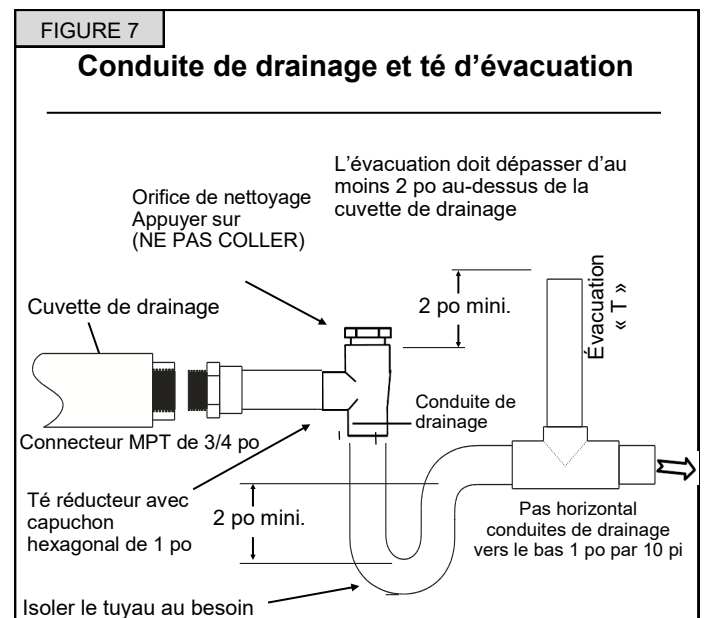
- Retirer les ouvertures défonçables appropriées pour les drains. Voir la section « Connexions de la cuvette de drainage ». Il peut être nécessaire de retirer l'ensemble serpentins intérieurs de l'enceinte.
- Déterminer les connexions de drainage à utiliser et noter la différence entre les ouvertures primaire (verte) et secondaire (rouge). Des bouchons de drainage sont fournis pour toutes les ouvertures; retirer et jeter les bouchons appropriés avec un cliquet d'entraînement de 1/2 po et vérifier que les autres bouchons sont bien serrés (2,5 pi-lb). Fixer la conduite de drainage à la cuvette avec des raccords en PVC filetés mâles de 3/4 po. Le serrage à la main est suffisant – ne pas trop serrer et ne pas réduire la dimension de la conduite de drainage.
- Les connexions de drainage secondaire doivent être connectées à un système de drainage séparé. Amener ce drain à un endroit conforme aux codes d'installation locaux où il sera remarqué quand l'unité est opérationnelle. Le condensat s'écoulant du drain secondaire indique un drain primaire bouché.
- Installer un siphon de 2 po sur les conduites de drainage principales aussi près que possible de l'unité. S'assurer que la partie supérieure du siphon se trouve sous la connexion au bac de drainage pour permettre un drainage complet du bac. **REMARQUE** : Les conduits horizontaux doivent être équipés d'un évent anti-siphon (tube vertical) installé en amont du conduit horizontal. Voir Illustration 7. Un parcours horizontal extrêmement long peut nécessiter une conduite de drainage surdimensionnée pour éliminer les blocages. **REMARQUE** : Ne pas utiliser le ventilateur-convecteur sans conduite de drainage. Le drain de condensat se trouve du côté pression négative du ventilateur; par conséquent, l'air aspiré par la conduite de condensat ne permet pas un drainage satisfaisant sans un siphon approprié.
- Acheminer la conduite de drainage jusqu'à l'extérieur ou un

drain approprié. Les conduites de drainage doivent être installées de manière à ne pas bloquer l'accès d'entretien à l'avant du ventilateur-convecteur. Un dégagement de 24 po est nécessaire pour le retrait du filtre, du serpentins ou du ventilateur et l'accès pour l'entretien. **REMARQUE** : Vérifier les codes locaux avant de raccorder la conduite de drainage à un système de drainage existant.

- Isoler les conduites de drainage si la condensation peut causer des dégâts.

Une fois l'installation terminée, il incombe à l'installateur de s'assurer que la ou les cuvette(s) de drainage capturent tout le condensat et que tout le condensat s'écoule correctement et ne pénètre pas dans le conduit/système.

- Verser plusieurs litres d'eau dans la cuvette de drainage, suffisamment pour remplir le purgeur et la conduite de drainage.
- Vérifier que la cuvette de drainage s'écoule complètement, qu'aucune fuite n'est présente dans les raccords de la conduite de drainage et que l'eau s'écoule de l'extrémité de la cuvette de drainage primaire.
- Corriger toute fuite détectée.



EXIGENCES APPLICABLES AUX CONDUITES

- Installer le plénum d'air conditionné, les conduits et les filtres à air (non fournis) conformément à la norme NFPA 90B relative à l'installation des systèmes de climatisation et de chauffage à air chaud (dernière édition).
- Le ventilo-convecteur est fourni avec des brides pour le raccordement du plénum et des gaines.
- Le ventilo-convecteur est équipé de brides qui peuvent former un support de filtre pour l'installation du filtre à air, ou le filtre peut être installé dans le cadre du système de conduits de retour d'air.
- Les filtres à air doivent être homologués comme filtres à air des fournaise d'air chaud de Classe 2.
- Les gaines d'alimentation et de retour doivent être correctement dimensionnées pour répondre aux exigences du système en matière d'air et de pression statique. Les gaines doivent être isolées avec une isolation d'au moins 1 po d'épaisseur avec une barrière anti-vapeur dans les zones climatisées et d'au moins 2 po dans les zones non climatisées.
- Le plénum d'alimentation doit être de la même taille que l'ouverture à bride fournie autour de la sortie du ventilateur et doit idéalement dépasser d'au moins 3 pi du ventilo-convecteur avant de tourner ou de ramifier le plénum dans les conduits. Le plénum forme une extension du boîtier du ventilateur et minimise les pertes d'expansion d'air du ventilateur.

INSTALLATION DES GAINES

IMPORTANT:

- Installer les gaines conformément à la norme NFPA 90B et aux codes locaux.
- Raccorder le conduit d'alimentation d'air à la bride au-dessus du ventilo-convecteur. Si un connecteur d'isolation est utilisé, il doit être ininflammable.

- Un système de conduits de retour d'air est recommandé. Si l'unité est installée dans un espace confiné ou un placard, une connexion de retour doit être installée à l'extérieur de l'enceinte.

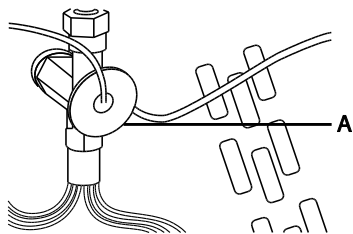
DISPOSITIF DE MESURE

Vanne d'expansion thermique (TXV)

Vannes d'expansion installées en usine : Les ampoules de détection sont installées en usine et fixées à la conduite d'aspiration. Pour un rendement optimal, remonter et isoler le bulbe à 10 ou 2 heures à l'extérieur de l'enceinte de la conduite d'aspiration principale à moins d'un pied du raccord de la conduite d'aspiration. Au besoin, le bulbe peut être installé sur une conduite d'aspiration verticale. Dans ce cas, le bulbe doit être placé avant tout purgeur, le tube capillaire du bulbe orienté vers le haut.

FIGURE 8

Vanne d'expansion thermique (Lettre A)



REMARQUE : Certains modèles sont équipés d'une vanne d'expansion thermique et ne nécessitent aucun changement d'orifice.

Pistons

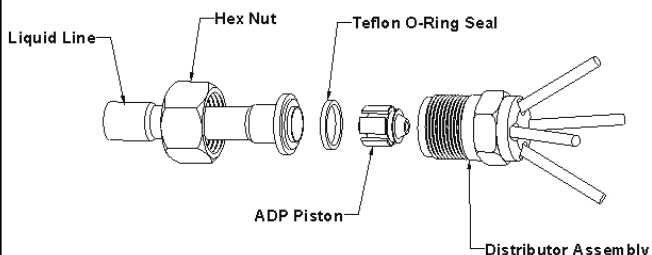
IMPORTANT: Pour un rendement optimal, le piston doit être dimensionné pour correspondre aux recommandations du fabricant de l'unité extérieure. Consulter les informations de l'unité extérieure pour déterminer si l'unité intérieure a la taille d'orifice correcte.

Pour changer les pistons, suivre la procédure suivante :

1. Desserrer l'écrou hexagonal situé sur la conduite de liquide et le séparer de l'ensemble distributeur.
2. Retirer le piston existant de l'ensemble distributeur.
3. Insérer le piston désiré dans le distributeur.
4. Inspecter le joint torique en Téflon et le remplacer s'il est endommagé. S'assurer que le joint torique en Téflon est en place.
5. Réinstaller l'écrou hexagonal sur le corps et serrer à 10 pi-lb.

FIGURE 9

Vue latérale de l'orifice du piston



INSTALLATION DE LA CONDUITE DE RÉFRIGÉRANT

Les conduites de réfrigérant doivent être connectées par un technicien certifié par l'EPA conformément aux procédures établies.

IMPORTANT:

- Le raccordement des conduites de réfrigérant doit être effectué en cuivre propre, déshydraté et de qualité réfrigérante. Les serpentins du ventilateur-convecteur ne doivent être installés qu'avec les dimensions de conduite spécifiées pour les combinaisons de systèmes approuvées.
- Faire attention aux conduites de réfrigérant pendant l'installation. Des coudes coupants ou des coudes dans les conduites peuvent causer une restriction.
- Ne pas retirer les capuchons des conduites ou des points de connexion du système. Les connexions de l'unité sont prêtes à être effectuées.

- Acheminer les conduites d'aspiration et de liquide des raccords du serpentín intérieur aux raccords de l'unité extérieure. Faire passer les conduites dans un chemin direct, évitant ainsi les virages et les coudes inutiles.
- S'assurer que la conduite d'aspiration est isolée sur toute la longueur exposée et que les conduites d'aspiration et de liquide ne sont pas en contact direct avec les sols, murs, gaines, solives de sol ou autres conduites.
- Raccorder la conduite d'aspiration et la conduite de liquide au serpentín d'évaporateur.

- Pour éviter d'endommager les œillets en caoutchouc de l'enceinte pendant le brasage, faire glisser les œillets en caoutchouc sur les conduites de réfrigérant jusqu'à ce qu'ils soient éloignés de la source de chaleur.
- Braser avec un alliage d'argent ou de cuivre et de phosphore avec un point de fusion supérieur à 1100 °F.
REMARQUE : Ne pas utiliser de soudure douce.
- Réinstaller les œillets en caoutchouc une fois le brasage terminé.
- S'assurer que l'unité extérieure a été mise en place conformément aux instructions d'installation et est connecté aux conduites de réfrigérant.

ADP recommande d'installer un filtre déshydrateur et une vitre dans la conduite de liquide. Pendant le brasage, purger le système avec de l'azote pour éviter toute contamination.

ADP recommande de rattacher et d'isoler le bulbe de détection TXV à 10 à 2 heures sur la conduite d'aspiration, à l'extérieur du boîtier du serpentín, à moins d'un pied de la connexion. Évacuer le système à 500 microns pour assurer une évacuation correcte de l'air et de l'humidité (**Remarque :** Une évacuation profonde ou une triple évacuation est recommandée). Ouvrir lentement la vanne de service d'aspiration et laisser le réfrigérant s'écouler dans le système avant d'ouvrir la vanne de service de liquide.

INSTRUCTIONS DE CHARGEMENT DU RÉFRIGÉRANT

En mode Climatisation, la température extérieure doit être supérieure ou égale à 60 °F. Pour que les pressions se stabilisent, faire fonctionner le système pendant au moins 15 minutes entre les réglages. Lors du réglage de la charge des systèmes équipés de serpentins extérieurs à microcanaux, effectuer de petits ajustements (1 once ou moins) car ces systèmes sont très sensibles à la charge de réfrigérant.

Charge TXV^{2, 3, 4} – Utiliser la méthode de charge recommandée par les instructions de l'unité extérieure. ADP recommande également de charger à un sous-refroidissement de 12 °F pour les unités CA et à un sous-refroidissement de 10 °F pour les thermopompe. De plus, si la vanne est réglable, régler à 10 °F de surchauffe.

Charge à orifice fixe^{2, 3, 4} – Utiliser la surchauffe recommandée par les instructions de l'unité extérieure. ADP recommande également de charger sur le tableau de surchauffe ci-dessous.

Temp. air extérieur (°F)	60	65	70	75	80	85	90	95	100	105	110	115
Surchauffe (°F)	31	28	25	22	20	16	13	10	8	6	5	5

Pour les thermopompe initialement chargées en mode Climatisation, les réglages finaux pour charger en mode Chauffage sont acceptables au besoin. Certaines thermopompe doivent être chargées en mode Chauffage. Dans ce cas, se reporter aux instructions extérieures pour les procédures de charge recommandées.

Si le système est sous-chargé après la charge initiale, ajouter du réfrigérant jusqu'à ce que la vitre de vision soit dégagée et que les pressions, températures, sous-refroidissement et surchauffe recommandées puissent être obtenues. Si le système est surchargé après la charge initiale, récupérer le réfrigérant jusqu'à ce que les pressions, températures, sous-refroidissement et surchauffe recommandés puissent être obtenus.

Remarques :

- En cas de problème ou de question concernant les frais, contacter le service à la clientèle.
- Les méthodes de charge des FEO varient en fonction de la conception et de l'application. Vérifier que toutes les pressions, températures, sous-climatisation et réglages de surchauffe recommandés produisent la charge correcte.
- Les serpentins APD peuvent nécessiter une compensation de charge en raison de la variation de taille par rapport au serpentín OEM.
- Les températures sont de ± 2 °F sauf recommandation contraire.

RACCORDEMENTS ÉLECTRIQUES

⚠ **AVERTISSEMENT** ⚠




Risque d'électrocution!

Déconnecter toutes les sources d'alimentation avant de procéder à l'entretien.

Remettre toutes les pièces et panneaux en place avant de les utiliser.


Le non-respect de cette consigne peut entraîner la mort ou un choc électrique.

Modèles avec chauffage électrique

1. Déterminer le nombre de circuits nécessaires pour alimenter l'aérotherme en électricité (1 ou 2 circuits). Voir l'étiquette de l'ensemble d'accessoires du ventilateur-convecteur pour le nombre de circuits et les valeurs nominales.
2. Déconnecter toutes les sources d'alimentation.
3. Écraser le nombre correct d'ouvertures défonçables (1 ou 2) et installer les fils et raccords homologués UL.
4. Connecter un fil de taille appropriée aux bornes du disjoncteur. Si aucun circuit n'est fourni, un bornier est fourni.
5. Raccorder le ou les fil(s) de terre verts (1 ou 2) à la ou aux borne(s) de terre (1 ou 2) portant la mention .
6. Installer les bouchons d'ouverture des conduits dans les ouvertures inutilisées.
7. Réinstaller le panneau d'accès au ventilateur du ventilateur-convecteur.
8. Rebrancher l'alimentation électrique.
9. Éliminer toutes les autres pièces.

Modèles sans chauffage électrique Installations

120V, 208/240 V — Moteurs à 3 et 5 vitesses

1. Déconnecter toutes les sources d'alimentation.
2. Retirer le panneau d'accès au ventilateur-convecteur.
3. Acheminer les fils d'alimentation sur place jusqu'au boîtier de connexion électrique du ventilateur-convecteur.
4. À l'aide d'écrous homologués UL, connecter les fils d'alimentation sur place au ventilateur-convecteur, noir-noir et jaune-jaune (240 V) ou blanc-blanc (120 V), comme illustré à la Figure 10.
5. Connecter le fil de terre à la borne de terre marquée .
6. Remplacer le panneau d'accès au ventilateur-convecteur.
7. Voir « Schéma de câblage – Moteur à 3 vitesses ».

Conversion 208 volts – Moteur à 3 vitesses uniquement

1. Déconnecter toutes les sources d'alimentation.
2. Retirer le panneau d'accès au ventilateur-convecteur.
3. Déplacer les 2 fils noirs connectés du transformateur entre les bornes 240 volts du transformateur et les bornes 208 volts du transformateur. Voir « Schéma de câblage – Moteur à 3 vitesses ».

FIGURE 10

Connexions des fils du ventilateur-convecteur

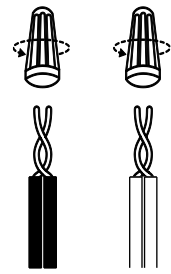


FIGURE 11

Connexions des fils du ventilateur-convecteur

- A. Connexion de la borne de terre
- B. Connexion noir à noir
- C. Connexion jaune à jaune

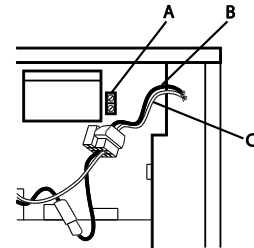

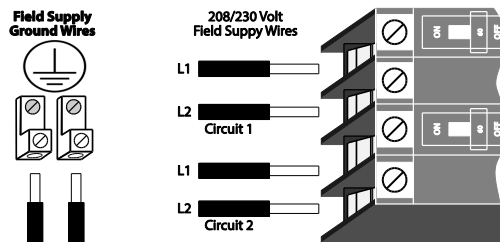


FIGURE 12

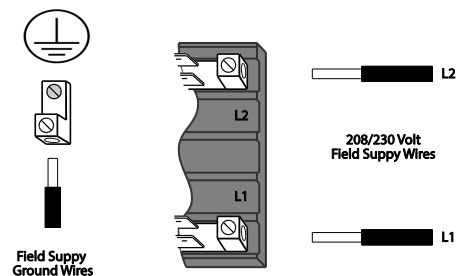
Connexion au fil de tension d'alimentation du ventilateur-convecteur du disjoncteur

REMARQUE : Deux bornes de terre sont indiquées 

illustré à la Figure 11. Il peut y avoir 1, 2 ou 3 bornes de terre en fonction du nombre de circuit.



Connexion au bornier Connexions des fils de tension d'alimentation du ventilateur-convecteur



VÉRIFICATIONS DU MANUTENUEUR D'AIR

Vérifier fonct. du ventilateur

1. Mettre le thermostat sur VENTILATEUR.
2. Le ventilateur intérieur doit s'allumer.

Vérifier le réchauffeur électrique (le cas échéant)



1. Régler le thermostat pour demander le chauffage auxiliaire (environ 5 °F au-dessus de la température ambiante). Le ventilateur intérieur et le chauffage auxiliaire doivent s'allumer ensemble. Laisser tous les séquenceurs fonctionner pendant au moins trois minutes.
2. Régler le thermostat de manière à ce qu'il ne demande pas de chauffage. Prévoir jusqu'à cinq minutes pour que tous les séquenceurs s'éteignent.


Vérifier le débit d'air

Vitesse de ventilateur de climatisation :

- Pour un fonctionnement correct, le débit d'air à travers le serpentin intérieur doit être compris entre 350 et 450 pi³/min par tonne de puissance de climatisation (350 - 450 pi³/min par 12 000 BTU/h) en fonction de la puissance de l'unité extérieure.
- La vitesse de ventilateur de climatisation est configurée en usine pour fournir un débit d'air correct pour une unité extérieure qui correspond à la puissance de refroidissement maximale du ventilo-convecteur.
- Si l'unité extérieure est inférieure à la puissance de refroidissement maximale du ventilo-convecteur, il peut être nécessaire de modifier la vitesse de ventilateur de climatisation. Voir le « Tableau de rendement du ventilateur ».

IMPORTANT: La vitesse de ventilateur de climatisation doit être réglée pour fournir un débit d'air minimum de 350 pi³/min par tonne (12 000 BTU/h) de capacité de climatisation extérieure.

 **AVERTISSEMENT** 


Risque d'électrocution!

Déconnecter toutes les sources d'alimentation avant de procéder à l'entretien.

Remettre toutes les pièces et panneaux en place avant de les utiliser.

Le non-respect de cette consigne peut entraîner la mort ou un choc électrique.

Pour modifier la vitesse du ventilateur pour le moteur à 3 vitesses :

(Voir « Schéma de câblage – Moteur à 3 vitesses »).

1. Déconnecter toutes les sources d'alimentation.
2. Retirer le panneau d'accès au ventilo-convecteur.
3. Situer la broche 2 sur le relais du ventilateur. Deux fils noirs sont connectés à cette borne. Un fil se connecte à la broche 5 du relais du ventilateur; un fil se connecte à une épissure en ligne se connectant à un fil bleu.
4. Retirer le fil allant au connecteur à 4 broches du moteur du ventilateur de l'épissure.
5. Raccorder le fil du ventilateur (rouge [LO], bleu [MED], noir [HI]) sur l'épissure du connecteur à 4 broches du moteur du ventilateur. **REMARQUE :** Les vitesses de ventilateur inutilisées sont expédiées d'usine couvertes d'un capuchon en plastique. Retirer ce capuchon de la nouvelle borne de vitesse du ventilateur et le remettre au-dessus de la borne du ventilateur réglée en usine.
6. Remplacer tous les panneaux.
7. Rebrancher l'alimentation électrique.

Pour modifier la vitesse du ventilateur du moteur ECM à 5 vitesses et rendement élevé :

(Voir « Schéma de câblage – Moteur ECM à 5 vitesses et rendement élevé ».)

1. Déconnecter toutes les sources d'alimentation.
2. Retirer le panneau d'accès au ventilo-convecteur.
3. Situer le bornier basse tension sur le ventilo-convecteur.
4. Réduction du débit d'air à un stage (1/2 tonne de débit d'air inférieur) :
 - a. Mettre la prise 2 (BRN) du moteur sur Y1.
 - b. Mettre la prise 3 (JAUNE) du moteur sur W2.
5. Installation statique à un stage :
 - a. Bornes Y1 et DS
6. Installation typique à 2 étapes :
 - a. Mettre la prise 3 (JAUNE) du moteur sur la borne Y2.
 - b. Déplacer la prise 2 (BRN) du moteur sur la borne Y1.
7. Réduction du débit d'air Installation à 2 étapes (1/2 tonne de débit d'air inférieur) :
 - a. Déplacer la prise 2 (BRN) du moteur sur la borne Y2.
 - b. Déplacer la prise 1 (GRN) du moteur sur la borne Y1.
 - c. Mettre la prise 3 (JAUNE) du moteur sur la borne G.
 - d. **REMARQUE :** Une demande de « ventilateur en marche » permet un débit plus élevé que le fonctionnement normal.
8. Installation statique élevée à 2 stages :
 - a. Mettre la prise 5 (BLK) du moteur sur la borne Y2.
 - b. Déplacer la prise 3 (JAUNE) du moteur sur la borne DS.
 - c. Déplacer la prise 2 (BRN) du moteur sur la borne Y1.
9. Remplacer tous les panneaux.
10. Rebrancher l'alimentation électrique.

SÉQUENCE DE FONCTIONNEMENT

Climatisation (climatisation uniquement ou thermopompe)

Quand le thermostat demande la climatisation, le circuit entre R et G est terminé et le relais du ventilateur est mis sous tension. Les contacts Normalement ouverts se ferment, ce qui fait fonctionner le moteur du ventilateur intérieur. Le circuit entre R et Y est également terminé; ce circuit ferme l'entrepreneur dans le moteur du ventilateur extérieur. Les circuits R et O mettent la vanne d'inversion sous tension, la mettant en position Climatisation. (La vanne d'inversion reste sous tension tant que le sélecteur est en position REFROIDISSEMENT.)

Chauffage (chauffage électrique uniquement)

Quand le thermostat demande de la chaleur, le circuit entre R et W est terminé et le séquenceur de l'aérotherme est mis sous tension. Un délai s'écoule avant que les éléments de chauffage et le moteur du ventilateur intérieur ne s'allument. Les unités équipées d'un deuxième séquenceur de chaleur peuvent être connectées avec le premier séquenceur à W sur la base secondaire du thermostat ou à une deuxième étape sur la base secondaire.

Chauffage par thermopompe

Quand le thermostat demande de la chaleur, les circuits entre R-Y et R-G sont terminés. Circuit R-Y met le contacteur sous tension pour démarrer le moteur du ventilateur extérieur et le compresseur. Circuit R-G met le relais du ventilateur sous tension en démarrant le moteur du ventilateur intérieur. Si la température de la pièce continue à chuter, le thermostat de la pièce de chauffage de deuxième stage termine le circuit entre R-W1. Le circuit R-W1 met sous tension un séquenceur de chaleur. Le circuit terminé met sous tension le chauffage électrique supplémentaire. Les unités équipées d'un deuxième séquenceur de chauffage peuvent être connectées au premier séquenceur à W1 sur le thermostat ou à un deuxième stage de chauffage W2 sur la base du thermostat.

Chauffage d'urgence (thermopompe chauffante)

Si le sélecteur du thermostat est réglé sur la position de chauffage d'urgence, la thermopompe est verrouillée hors du circuit de chauffage et tout le chauffage est un chauffage électrique (le cas échéant). Un cavalier est nécessaire pour que le contrôleur de chauffage électrique passe au chauffage de premier stage du thermostat. Ceci permet au ventilateur intérieur de se mettre en marche et de s'arrêter avec le chauffage électrique quand l'interrupteur du ventilateur est en position AUTO.

ENTRETIEN DU VENTILLO-CONVECTEUR

Au début de chaque saison de chauffage, l'unité doit être entretenue par un installateur ou une société d'entretien qualifié.

ASSISTANCE OU SERVICE

Si vous avez besoin d'aide, vous pouvez nous contacter à l'adresse ci-dessous pour toute question ou préoccupation. Veuillez indiquer un numéro de téléphone de jour dans votre correspondance.

Advanced Distributor Products
1995 Air Industrial Park Road
Grenada, MS 38901
www.adpnow.com

GARANTIE LIMITÉE SUR LE VENTIL-CONVECTEUR ADP

Durée de la garantie

Advanced Distributor Products (ADP) garantit que ses produits vendus seront de qualité marchande, exempts de défauts de matière et de main-d'œuvre, dans des conditions d'utilisation et d'entretien normales, pendant une période de cinq (5) ans à compter de la date d'installation, **sans** dépasser six (6) ans à compter de la date de fabrication, sous réserve des conditions de la garantie limitée d'ADP.

Pour en savoir plus sur la garantie de ce produit, y compris l'accès aux conditions de garantie complètes, l'enregistrement pour une garantie prolongée* ou les instructions pour déposer une réclamation au titre de la garantie, veuillez vous rendre sur www.ADPwarranty.com.

* Dans les États ou provinces où les exigences d'enregistrement sont interdites, le fait de ne pas terminer l'enregistrement par le consommateur ne réduit pas ses droits à la garantie.

Information sur l'équipement

Veillez écrire les renseignements demandés ci-dessous et conserver la présente garantie dans vos dossiers, pour consultation future.

Numéro de modèle de l'unité : _____

Numéro de série : _____

Entrepreneur installateur : _____

Date d'installation : _____

Téléphone : _____



2140 Lake Park Blvd, Richardson, TX 75080
www.adpnow.com