



Installation Instructions

B Series

Multi-Position & Hydronic Air Handlers

Electric or Hot Water Heat, with available Variable-Speed High Efficiency ECM Motor

TABLE OF CONTENTS	PAGE	PAGE	
Air Handler Safety.....	1	Sloping the Drain	12
General	2	Install Condensate Drain.....	13
Wiring Diagram	3	Metering Device	14
Thermostat Connections.....	4	Label Installation	14
Blower Performance Data.....	7	Refrigerant Line Installation	15
Inspect Shipment	9	Refrigerant Charging Instructions	15
Tools and Parts.....	9	Supply Voltage Connections.....	16
Outdoor System Requirements.....	9	Variable Speed Control Board	16
Location Requirements	9	Hot Water Coil Installation	17
Installation Clearances.....	10	Hot Water Coil Flushing	18
Configuration Options	10	Sequence of Operation.....	19
Drain Pan Connections.....	11	Air Handler Maintenance	19
Electrical Requirements	12	Assistance or Service	19
Ductwork Requirements.....	12	Air Handler Checks	20
Install Ductwork.....	12	Warranty	20

AIR HANDLER SAFETY

SAFETY CONSIDERATIONS

Your safety and the safety of others are very important.

We have provided many important safety messages in this manual and on your appliance. Always read and obey all safety messages.



This is the safety alert symbol.

This symbol alerts you to potential hazards that can kill or hurt you and others.

All safety messages will follow the safety alert symbol and signal word. These signals words mean the following:

DANGER: You can be **killed or seriously injured** if you don't immediately follow instructions.

WARNING: Indicate a potentially hazardous situation which, if not avoided, could result in **death or serious injury**.

CAUTION: Indicates a potentially hazardous situation which, if not avoided, may result in **minor or moderate injury**. Caution may also be used to alert against unsafe practices.

NOTICE: Indicates a statement of company policy as the message relates directly or indirectly to the safety of personnel or protection of property.

IMPORTANT: More detailed information concerning the statement of company policy as the message relates directly or indirectly to the safety of personnel or protection of property.



CAUTION



This appliance is not intended for use by persons (including children) with reduced physical, sensory or mental capabilities, or lack of experience and knowledge, unless they have been given supervision or instruction concerning use of the appliance by a person responsible for their safety. Children should be supervised ensure that they do not play with the appliance.



Product improvement is a continuous process at Advanced Distributor Products. Therefore, product specifications are subject to change without notice and without obligation on our part. Please contact your ADP representative or distributor to verify details.

© 2025 by Advanced Distributor Products. All rights reserved.

AIR HANDLER SAFETY



IMPORTANT



This unit is a PARTIAL UNIT AIR CONDITIONER, complying with PARTIAL UNIT requirements of this Standard, and must only be connected to other units that have been confirmed as complying to corresponding PARTIAL UNIT requirements of this Standard, UL 60335-2-40/CSA C22.2 No. 60335-2-40, or UL 1995/CSA C22.2 No 236.



IMPORTANT



Improper installation, adjustment, alteration, service or maintenance can cause property damage, personal injury or loss of life. Installation and service must be performed by a licensed professional HVAC installer or equivalent, service agency, or the gas supplier.



IMPORTANT



The Clean Air Act of 1990 bans the intentional venting of refrigerant (CFC's and HFC's). Approved methods of reclaiming must be followed. Fines and/or incarceration may be levied for non-compliance.



IMPORTANT



This unit is a PARTIAL UNIT, it shall only be connected to an appliance using the same refrigerant as listed in the name plate of this unit.



NOTICE



Maximum altitude of application is 3200 m above sea level.

GENERAL

These instructions are intended as a general guide only and do not supersede any national or local codes in any way. Compliance with all local, state, or national codes pertaining to this type of equipment should be determined prior to installation.

Read this entire instruction manual, as well as the instructions supplied in separate equipment, before starting the installation.

All models are designed for indoor installation only.

The installation of the air handler, field wiring, warm air ducts, etc. must conform to the requirements of the National Electrical Code, ANSI/NFPA No. 70 (latest edition) in the United States, and any state laws, and local ordinances (including plumbing or wastewater codes). Local authorities having jurisdiction should be consulted before installation is made. Such applicable regulations or requirements take precedence over the general instructions in this manual.

Install the conditioned air plenum, ducts and air filters (not provided) in accordance with NFPA 90B Standard for the Installation of Warm Air Heating and Air-Conditioning Systems (latest edition).

Some models are configured for upflow air discharge only, and some models are configured for upflow or horizontal left-hand air discharge.

Do not remove the cabinet knockouts until it has been determined which knockouts need to be removed for the installation.



WARNING



Electrical Shock

Disconnect power before servicing.

Replace all parts and panels before operating.

Electrically ground air handler.

Connect ground wire to ground terminal marked



Failure to do so can result in death or electrical shock.

Explosion Hazard

Keep flammable materials and vapors, such as gasoline, away from this unit.

Place this unit so that the heating elements are 18in (46cm) above the floor for a garage insulation.

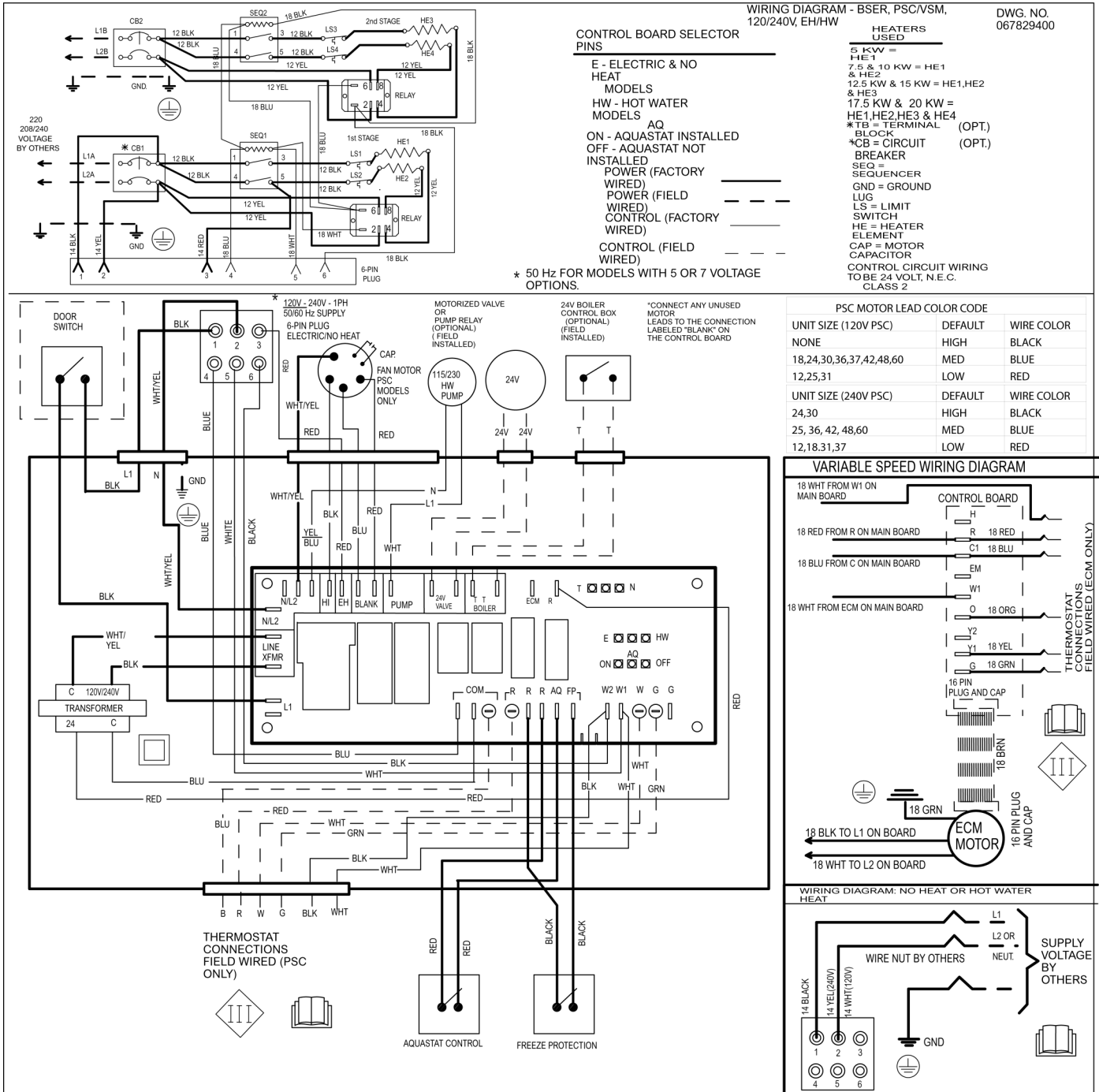
Failure to follow these instructions can result in death, explosion or fire.



Select the final installation position that best suits the site conditions. Consider required clearances, space, routing requirements for refrigerant line, condensate disposal, filters, ductwork, wiring, and accessibility for service. Refer to the air handler rating plate on the air handler for specific information.

WIRING DIAGRAM

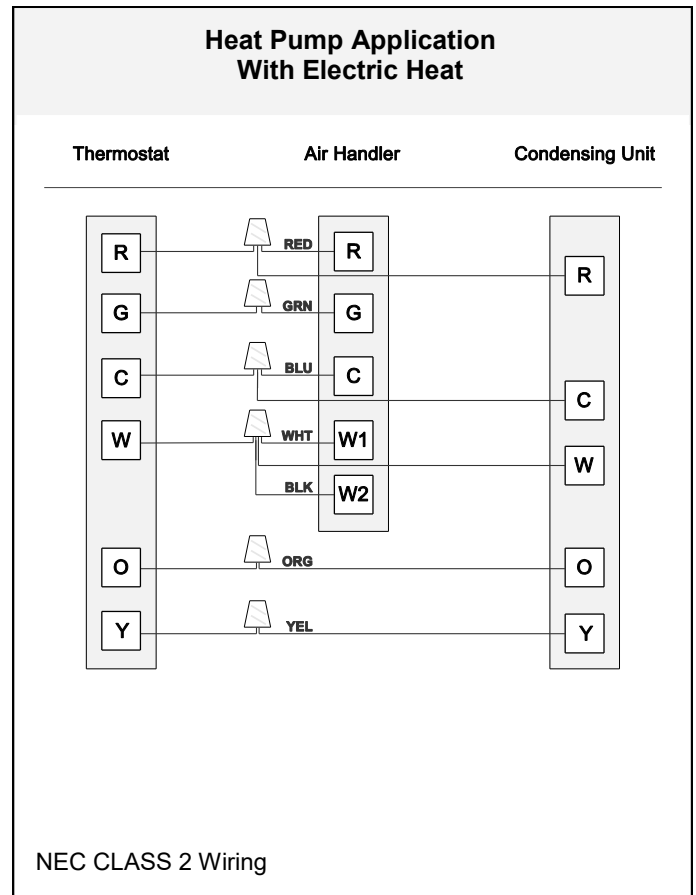
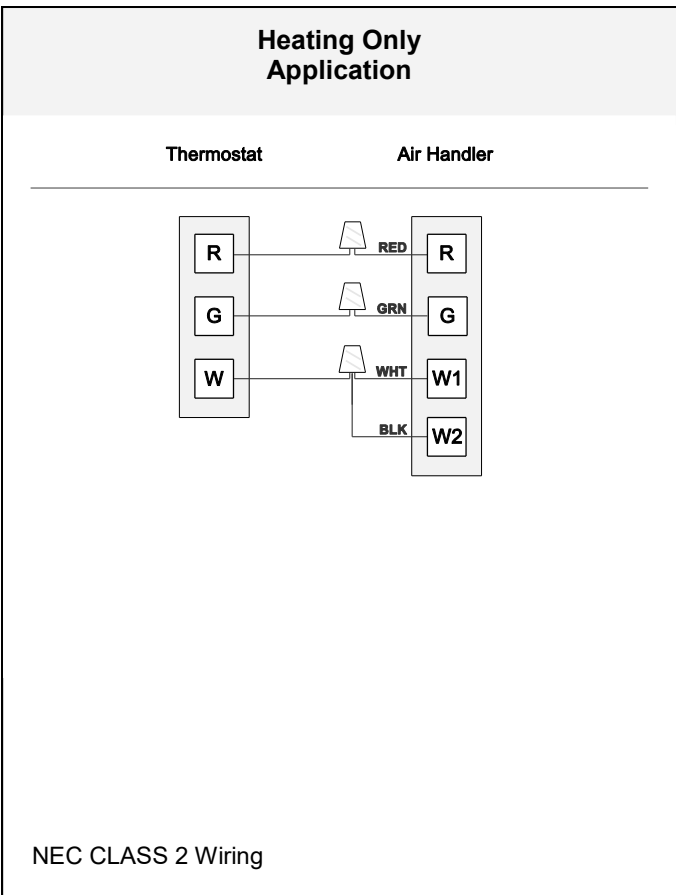
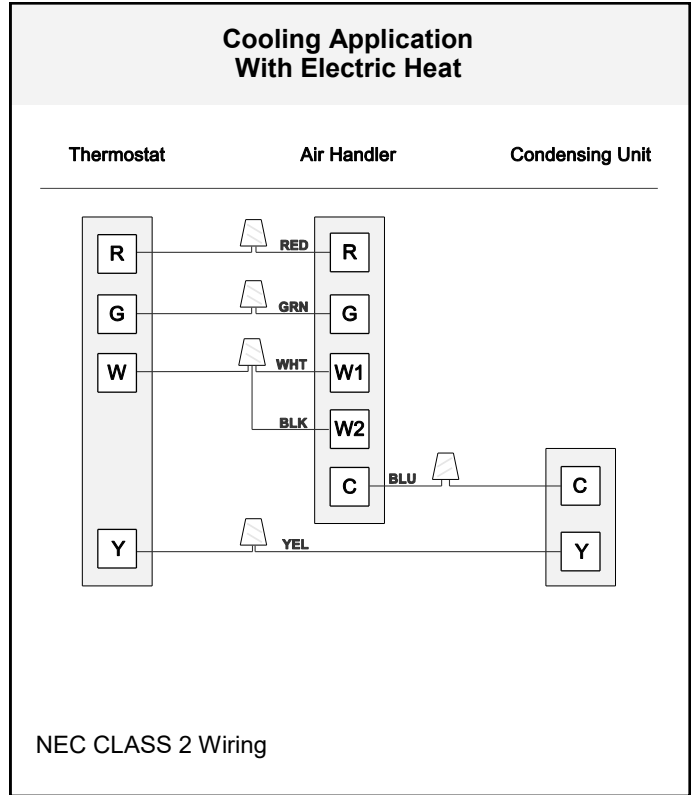
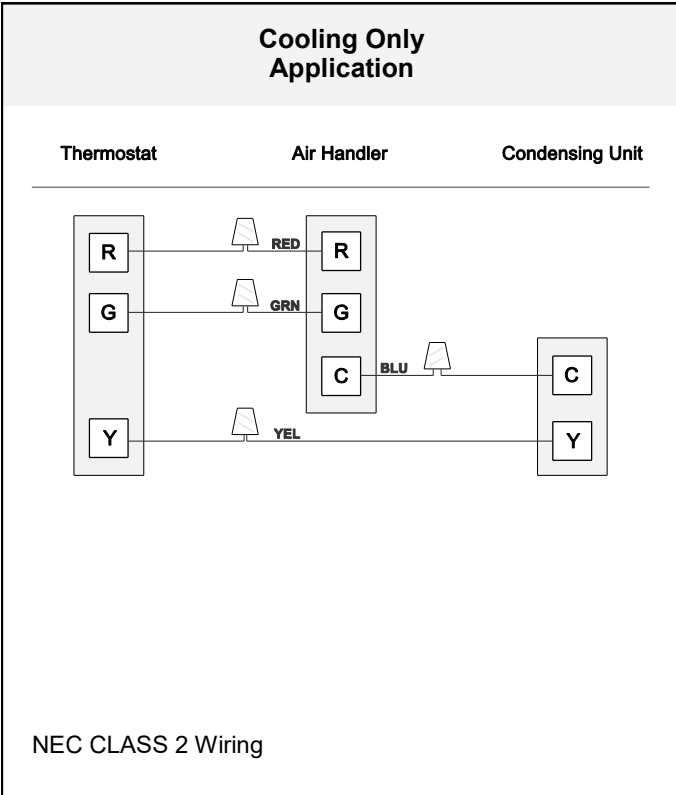
Part Number: 67829400 | WIRING DIAGRAM, B SERIES, 120 V / 240 V, PSC / ECM, HW / EH



THERMOSTAT CONNECTIONS

3-Speed Motor (Electric Heat)

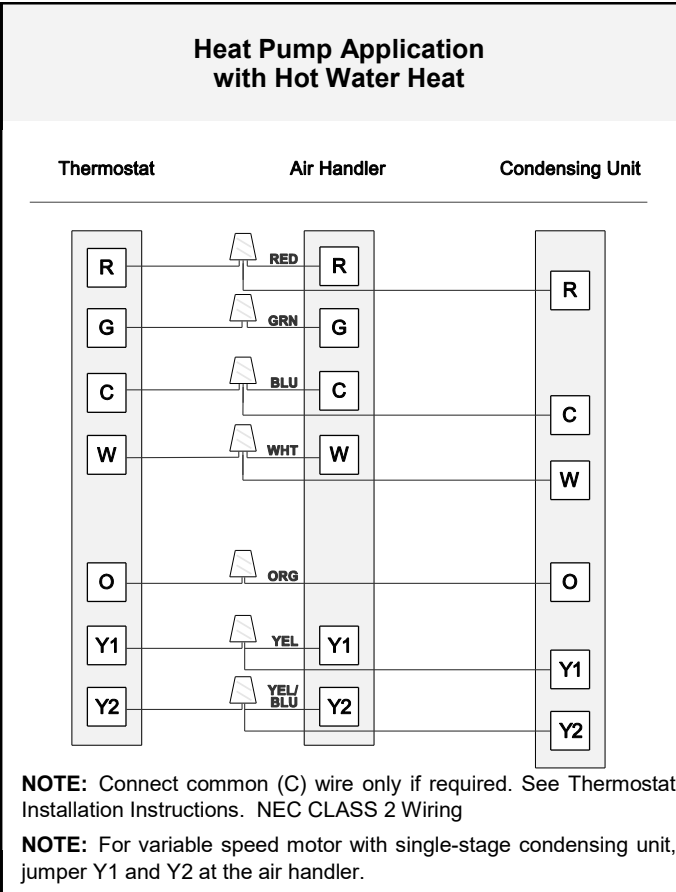
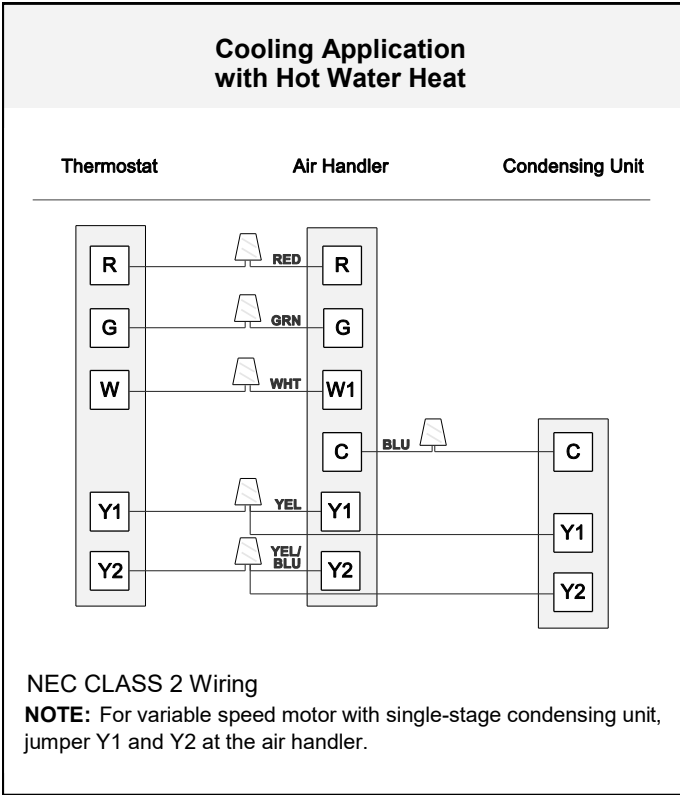
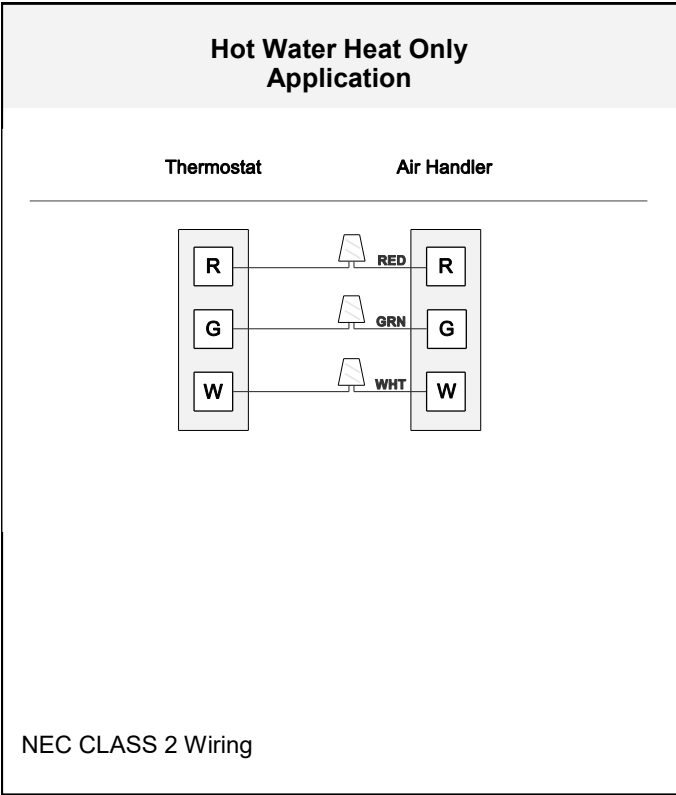
Maximum allowable current draw from power-stealing thermostats or other accessories is 18 mA. Exceeding this value may cause the Air Handler control board to operate abnormally.



THERMOSTAT CONNECTIONS

3-Speed Motor & Variable-Speed High Efficiency ECM Motor (Hot Water Heat)

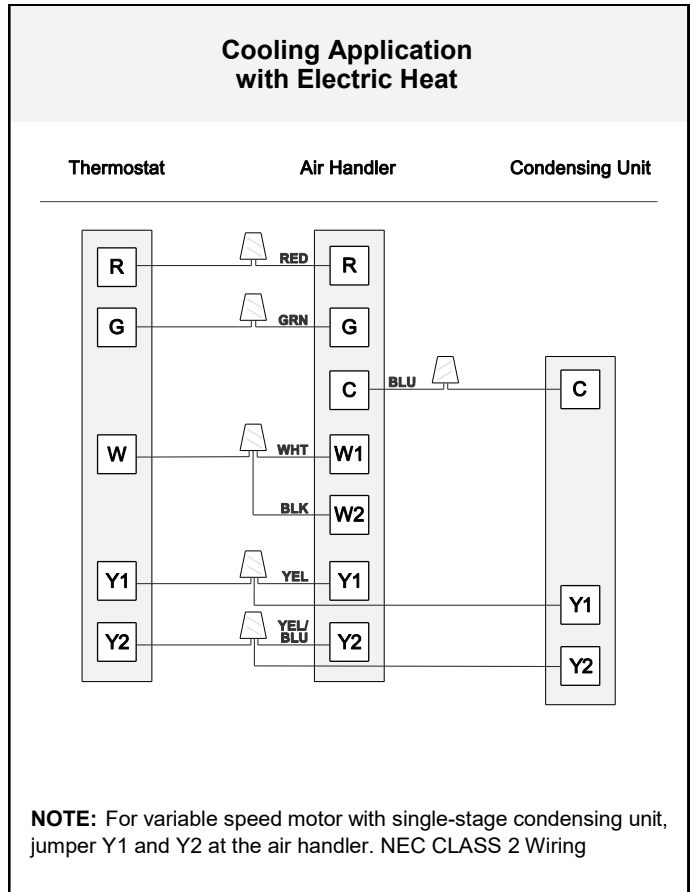
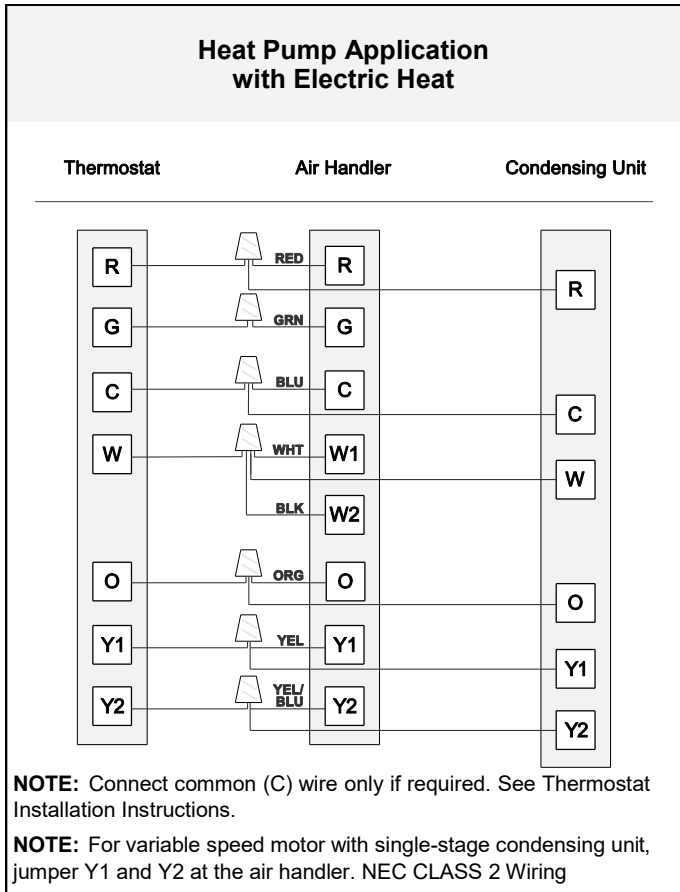
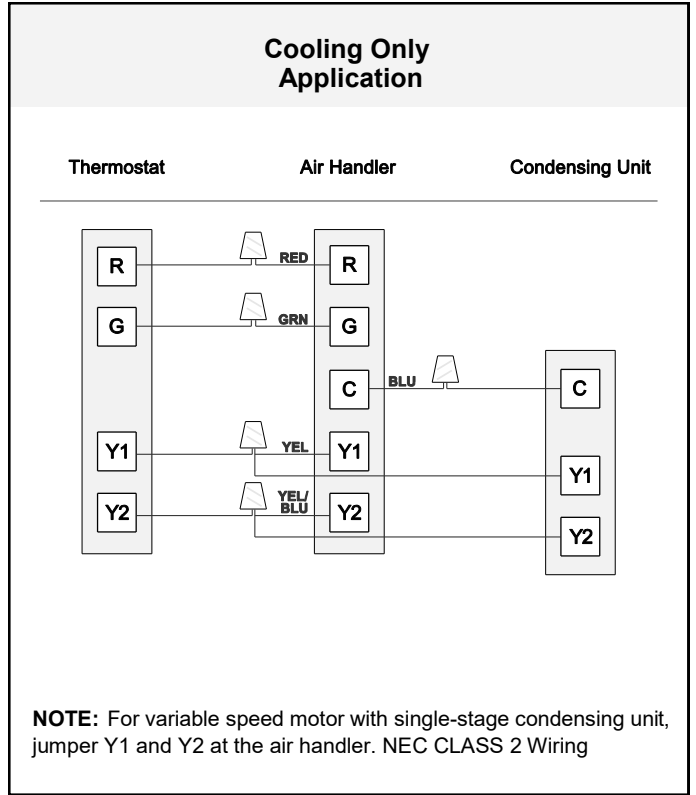
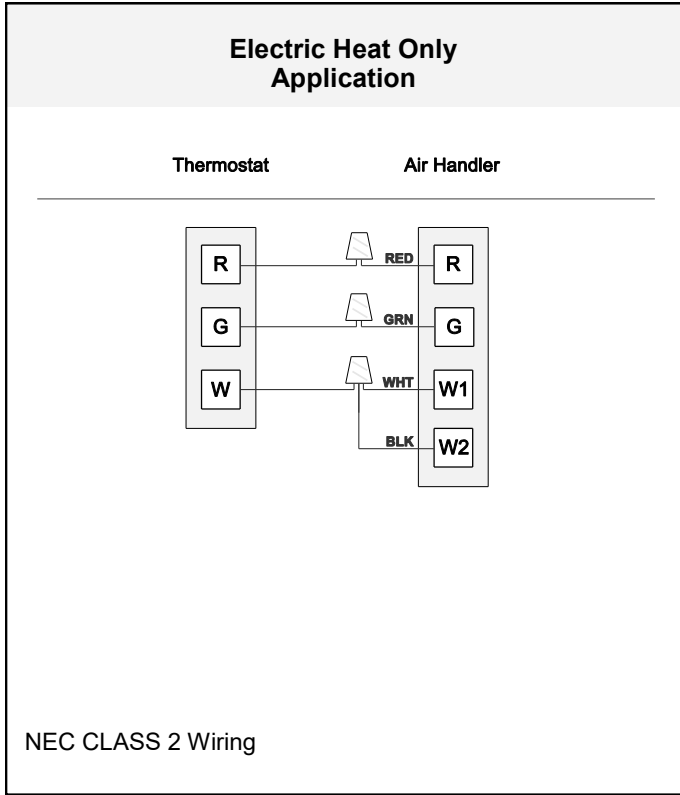
Maximum allowable current draw from power-stealing thermostats or other accessories is 18 mA. Exceeding this value may cause the Air Handler control board to operate abnormally.



THERMOSTAT CONNECTIONS

Variable-Speed High Efficiency ECM Motor (Electric Heat)

Maximum allowable current draw from power-stealing thermostats or other accessories is 18 mA. Exceeding this value may cause the Air Handler control board to operate abnormally.



BLOWER PERFORMANCE DATA

3-Speed Motor

All data is given while air handler is operating with a dry DX coil and air filter installed.

Speeds marked in **bold with asterisk*** are the factory speed settings for both heating and cooling. Heating speeds should not be reduced below factory setting.

208/240V Motor		Airflow (CFM) vs. External Static Pressure (inches W.C.)									
Unit Size (MBUTH)	Fan Speed Setting	Electric Heat Models					Water Heat Models				
		0.10	0.20	0.30	0.40	0.50	0.10	0.20	0.30	0.40	0.50
12	*Low	640	635	619	584	513	608	603	588	555	487
	Med	907	861	808	743	659	862	818	768	706	626
	High	961	914	854	786	703	913	868	811	747	668
18	*Low	640	635	619	584	513	608	603	588	555	487
	Med	907	861	808	743	659	862	818	768	706	626
	High	961	914	854	786	703	913	868	811	747	668
24	Low	640	635	619	584	513	608	603	588	555	487
	Med	907	861	808	743	659	862	818	768	706	626
	*High	961	914	854	786	703	913	868	811	747	668
25	Low	757	725	673	602	549	719	689	639	572	522
	*Med	893	862	823	746	660	848	819	782	709	627
	High	1111	1059	1005	964	904	1055	1006	955	916	859
30	Low	757	725	673	602	549	719	689	639	572	522
	Med	893	862	823	746	660	848	819	782	709	627
	*High	1111	1059	1005	964	904	1055	1006	955	916	859
31	*Low	1221	1187	1099	1080	1018	1160	1128	1044	1026	967
	Med	1329	1267	1208	1146	1073	1263	1204	1148	1089	1019
	High	1383	1317	1260	1188	1103	1314	1251	1197	1129	1048
36	Low	1221	1187	1099	1080	1018	1160	1128	1044	1026	967
	*Med	1329	1267	1208	1146	1073	1263	1204	1148	1089	1019
	High	1383	1317	1260	1188	1103	1314	1251	1197	1129	1048
37	*Low	1251	1263	1253	1214	1133	1188	1200	1190	1153	1076
	Med	1396	1397	1371	1309	1215	1326	1327	1302	1244	1154
	High	1731	1668	1588	1487	1379	1644	1585	1509	1413	1310
42	Low	1251	1263	1253	1214	1133	1188	1200	1190	1153	1076
	*Med	1396	1397	1371	1309	1215	1326	1327	1302	1244	1154
	High	1731	1668	1588	1487	1379	1644	1585	1509	1413	1310
48	Low	1627	1582	1513	1432	1328	1546	1503	1437	1360	1262
	*Med	1801	1706	1620	1513	1398	1711	1621	1539	1437	1328
	High	1854	1748	1656	1552	1448	1761	1661	1573	1474	1376
60	Low	1640	1583	1552	1497	1439	1558	1504	1474	1422	1367
	*Med	1961	1892	1814	1704	1616	1863	1797	1723	1619	1535
	High	2072	2001	1889	1789	1643	1968	1901	1795	1700	1561

120V Motor		Airflow (CFM) vs. External Static Pressure (inches W.C.)									
Unit Size (MBUTH)	Fan Speed Setting	No Heat Models					Water Heat Models				
		0.10	0.20	0.30	0.40	0.50	0.10	0.20	0.30	0.40	0.50
12	*Low	499	493	470	437	401	458	445	431	402	368
	Med	671	636	611	557	490	631	611	581	543	485
	High	727	715	675	631	540	725	691	650	602	544
18	*Low	499	493	470	437	401	458	445	431	402	368
	Med	671	636	611	557	490	631	611	581	543	485
	High	727	715	675	631	540	725	691	650	602	544
24	Low	687	584	579	549	487	588	580	564	537	471
	Med	889	847	795	731	666	771	747	710	671	600
	*High	952	896	847	780	697	893	848	801	714	639
25	Low	819	812	805	782	735	781	777	773	760	741
	*Med	1015	1004	986	961	930	989	989	983	967	942
	High	1155	1149	1122	1090	1039	1095	1089	1072	1049	1020
30	Low	819	812	805	782	735	781	777	773	760	741
	Med	1015	1004	986	961	930	989	989	983	967	942
	*High	1155	1149	1122	1090	1039	1095	1089	1072	1049	1020
31	*Low	1121	1110	1099	1065	1023	1118	1111	1097	1060	1013
	Med	1302	1278	1233	1197	1144	1275	1261	1222	1168	1112
	High	1448	1391	1359	1298	1223	1355	1330	1317	1267	1196
36	Low	1121	1110	1099	1065	1023	1118	1111	1097	1060	1013
	*Med	1302	1278	1233	1197	1144	1275	1261	1222	1168	1112
	High	1448	1391	1359	1298	1223	1355	1330	1317	1267	1196
37	*Low	1190	1122	1052	1028	1003	1072	1011	947	926	903
	Med	1437	1355	1270	1241	1212	1351	1274	1194	1167	1139
	High	1449	1429	1389	1344	1298	1361	1342	1305	1263	1219
42	Low	1345	1331	1302	1282	1257	1153	1144	1144	1135	1135
	*Med	1681	1615	1587	1521	1487	1494	1445	1431	1395	1342
	High	1788	1727	1674	1603	1529	1666	1590	1571	1511	1469
48	Low	1568	1527	1502	1433	1397	1518	1440	1409	1383	1338
	*Med	1775	1724	1672	1563	1505	1652	1575	1541	1506	1459
	High	1881	1834	1765	1693	1597	1736	1668	1614	1564	1524
60	Low	1662	1650	1643	1614	1568	1646	1642	1639	1630	1606
	*Med	1853	1840	1813	1746	1675	1833	1826	1820	1766	1702
	High	2085	2038	1990	1916	1839	2065	2029	1981	1918	1847

BLOWER PERFORMANCE DATA

Variable-Speed High Efficiency ECM Motor

Unit Size (MBUTH)	Operating Mode	Thermostat Terminals						Control Board Taps							
		X = Energized Terminal						Cool				Heat			
		HUM	EM	W1	Y1	Y2	G	A CFM	B CFM	C CFM	D CFM	A CFM	B CFM	C CFM	D CFM
25	Continuous Blower						X	500	400	350	350				
	Hi Cooling / HP Heating	**			X	X		1000	800	700	600				
	Low Cooling/ HP Heating				X			700	560	490	420				
	Aux. Heat			X	X	X		***	***	***	***	1000	800	700*	600*
	Emer. Heat		X	X				***	***	***	***	1000	800	700*	600*
30, 31	Continuous Blower						X	600	500	400	350				
	Hi Cooling / HP Heating	**			X	X		1200	1000	800	600				
	Low Cooling/ HP Heating				X			840	700	560	420				
	Aux. Heat			X	X	X		***	***	***	***	1200	1100	1100	1100
	Emer. Heat		X	X				***	***	***	***	1200	1100	1100	1100
37	Continuous Blower						X	600	500	400	350				
	Hi Cooling / HP Heating	**			X	X		1200	1000	800	600				
	Low Cooling / HP Heating				X			840	700	560	420				
	Aux. Heat			X	X	X		***	***	***	***	1200	1100*	1100*	1100*
	Emer. Heat		X	X				***	***	***	***	1200	1100*	1100*	1100*
42	Continuous Blower						X	800	700	600	500				
	Hi Cooling / HP Heating	**			X	X		1600	1400	1200	1000				
	Low Cooling / HP Heating				X			1120	980	840	700				
	Aux. Heat			X	X	X		***	***	***	***	1600	1400	1200*	1100*
	Emer. Heat		X	X				***	***	***	***	1600	1400	1200*	1100*
48	Continuous Blower						X	800	700	600	500				
	Hi Cooling / HP Heating	**			X	X		1600	1400	1200	1000				
	Low Cooling / HP Heating				X			1120	980	840	700				
	Aux. Heat			X	X	X		***	***	***	***	1600	1400*	1200*	1100*
	Emer. Heat		X	X				***	***	***	***	1600	1400*	1200*	1100*
60	Continuous Blower						X	900	800	700	600				
	Hi Cooling / HP Heating	**			X	X		1850	1600	1400	1200				
	Low Cooling / HP Heating				X			1295	1120	980	840				
	Aux. Heat			X	X	X		***	***	***	***	1850	1600	1400*	1200*
	Emer. Heat		X	X				***	***	***	***	1850	1600	1400*	1200*

* This CFM is not approved for use with the highest kW heater size.

** Humidistat will reduce cooling airflow by 10% in high humidity.

*** Airflow is the greater of the COOL and HEAT values when both electric heat and heat pump are operating.



Adjust tap (+) will increase airflow by 10%, while tap (-) will decrease airflow by 12%.

Adjust tap TEST will cause the motor to run at 70% of full airflow. Use this for troubleshooting only.

At the start of a call for cooling there is a short run at 82% of airflow for 7.5 minutes.

At the end of a call for cooling there is a blower off delay of 1 minute.

INSPECT SHIPMENT

 WARNING 
Excessive Weight Hazard
Use two or more people to move and install air handler. Failure to do so can result in back or other injury.

All air handlers are performance tested. Each unit consists of a blower assembly, refrigerant coil and controls, in an insulated, factory-finished enclosure. Knockouts are provided for electrical wiring entrance.

1. Check the unit rating plate to confirm specifications are as ordered.
2. Upon receipt of equipment, carefully inspect it for possible shipping damage. Take special care to examine the unit if the carton is damaged.

If damage is found, it should be noted on the carrier's freight bill. Damage claims should be filed with the carrier immediately. Claims of shortages should be filed with the seller within 5 days.

NOTE: If any damages are discovered and reported to the carrier, do not install the unit because your claim may be denied.

Filter Size Chart	
Unit Size (MBTUH)	Filter Size
12-24	12" x 20"
25-30 & 36	16" x 20"
31 & 37-48	16" x 24"
60	18" x 24"

TOOLS AND PARTS NEEDED

Assemble the required tools and parts before starting installation. Read and follow the instructions provided with any tools listed here:

<i>1/4" Nut Driver</i>	<i>Tape Measure</i>
<i>Level</i>	<i>Hammer</i>
<i>Screw Drive</i>	<i>Sealant</i>
<i>Adjustable Wrench</i>	<i>UL Listed Wire Nuts</i>

Replacement Orifice (if needed; see "Metering Device")

Check local codes, check existing electrical supply, and read "Ductwork Requirements," and "Electrical Requirements," before purchasing parts.

The correct orifice size may be contained in the replacement orifice package located inside the control box of the outdoor unit. If this package does not contain the correct orifice for your air handler, you must purchase the correct orifice size.

OUTDOOR SYSTEM REQUIREMENTS

The air handler is designed to match, and must be used with, outdoor units as rated in AHRI. The indoor sections are manufactured with an interchangeable refrigerant metering device to provide optimum refrigerant control and system

performance with a variety of different capacities of outdoor units. In some cases, the AHRI rating may require that the air handler refrigerant metering device be changed to obtain rated performance.

LOCATION REQUIREMENTS

NOTE: When the unit is installed in a very humid space and used in cooling applications, excessive sweating may occur on outside of unit. To prevent excessive sweating wrap unit with 1" fiberglass insulation. All openings should be sealed to prevent air leakage that could cause condensate to form inside the cabinet.

- If installed in an unconditioned space, sealant should be applied around the electrical wires, refrigerant tubing, and condensate lines where they enter the cabinet.

- Electrical wires should be sealed on the inside where they exit the conduit opening. Sealant is required to prevent air leakage into and condensate from forming inside the air handler, control box, and on electrical controls.
- The air handler must be installed in such a way as to allow free access to the coil/filter compartment and blower/control compartment.

INSTALLATION CLEARANCES

Clearance to combustible material to be 0 inches to unit casing, and 0 inches to plenum and duct for first 36 inches.

The air handler can be installed in a closet with a false bottom to form a return air plenum or be installed with a return air plenum under the air handler.

Louvers or return air grilles are field supplied. Local codes may limit application of systems without a ducted return to single-story buildings.

- Install louvers in a closet. Use the "Minimum Filter Requirements Chart" to determine the opening size that will provide the amount of free air you will require. If using louvers or grilles, match the free area rating of the louver or grille to the Minimum Return Air Free Area you determined to be necessary by consulting the "Minimum Filter Requirements Chart."

- If the free area is not known, assume a 25% free area for wood or a 75% free area for metal louvers or grilles.
- If the return air plenum is used, the return air grille should be immediately in front of the opening in the plenum to allow for the free flow of return air.
- When not installed in front of the opening, there must be adequate clearance around the air handler to allow for the free flow of return air.

CONFIGURATION OPTIONS

For ease of installation, it is best to make any necessary coil configuration changes before setting air handler in place.

- Vertical upflow Air Handlers only contain 1 drain pan.
- Multi-position Air Handlers contain 2 drain pans.

Vertical Installations (Upflow)

The air handler must be supported on the bottom only and set on solid floor or field supplied supporting frame. Securely attach the air handler to the floor or supporting frame. For best efficiency and airflow, horizontal drain pan (if installed) should be removed from units in upflow configurations.

Horizontal Installations

Horizontal installations can be left-hand or right-hand air supply.

Adequate support must be provided to ensure cabinet integrity. Units mounted horizontal should be mounted with a slight angle toward the drain connections (see Figure 5) so that the drain pan will empty completely without water standing in the pan.. Ensure that there is adequate room to remove service and access panels if installing in the horizontal position.

IMPORTANT:

- This coil is provided with a secondary drain that should be trapped and piped to a location that will give the occupant a visual warning that the primary drain is clogged. See "Install Condensate Drain."
- When an evaporator coil is installed in an attic or above a finished ceiling, an auxiliary drain pan should be provided under the air handler as specified by most local building codes., and must have a larger footprint than the air handler.
- Extend suction line insulation into the coil cabinet by 2" to prevent moisture from dripping onto the insulation (the rubber grommet may need to be removed).

Conversion from Vertical to Horizontal

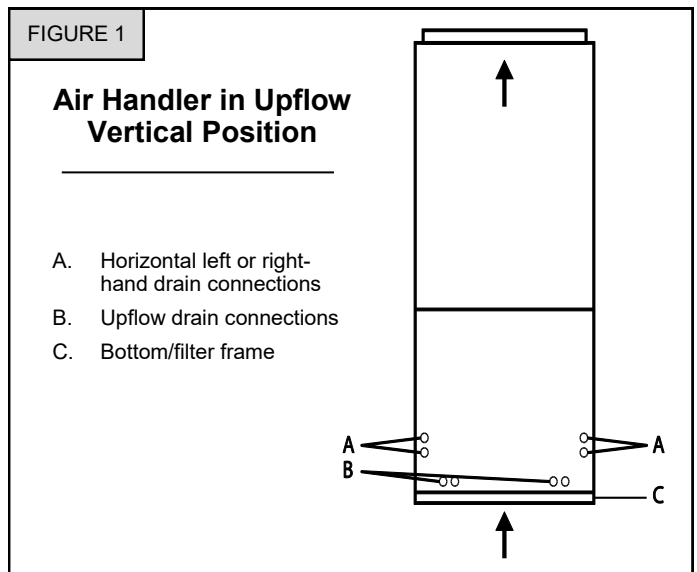
A vertical only air handler may be converted to horizontal air discharge by installing a horizontal drain pan kit (see accessories).

A multi-position air handler may be converted from horizontal left-hand discharge to horizontal right-hand discharge without additional parts.

Suspended Cabinet Installation

NOTE: Air handler must be positioned with one side parallel to the floor when in the horizontal position, with a 1/2" pitch towards drain.

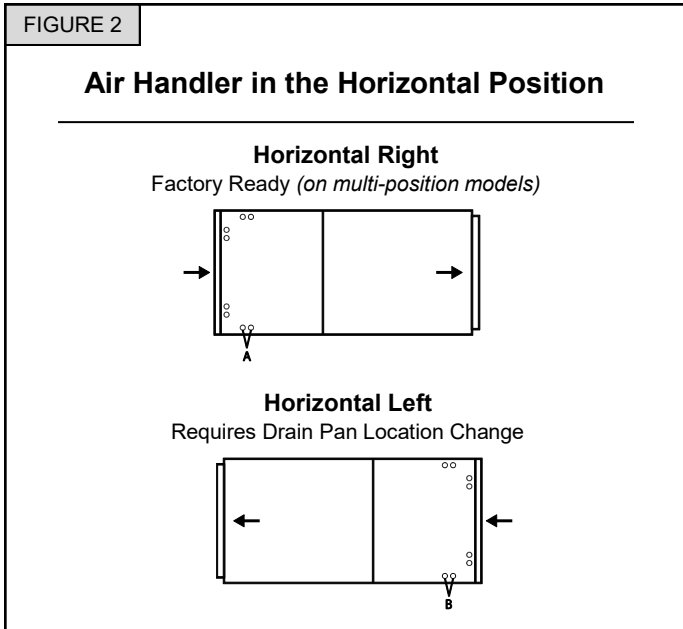
The suspending means must be field fabricated, and should consist of a minimum of two "cradles" made by attaching two 3/8" all thread rods to a length 1-5/8" x 7/8" unistrut. Cradles should not interfere with panel removal, drain connections, or refrigerant connections.



DRAIN PAN CONNECTIONS

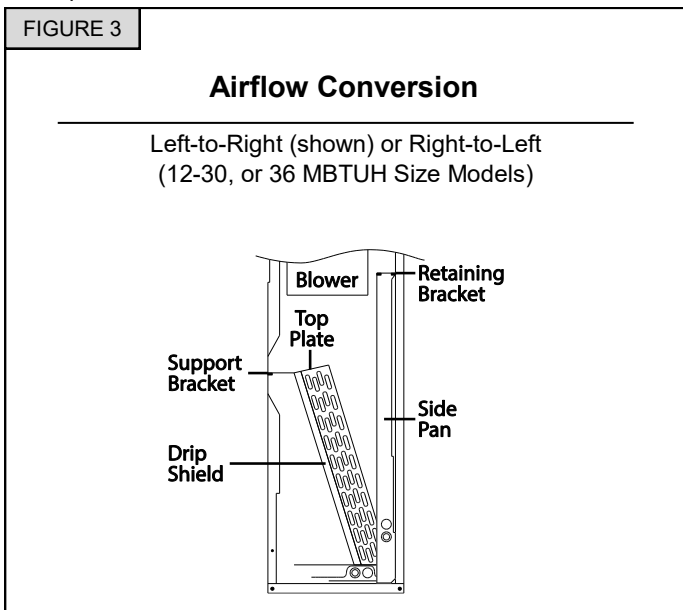
Horizontal installations can be either "Right" or "Left."

For horizontal right installations, a drain pan location change may be required. Use drain connections "A" below. For horizontal left installations, use drain connections marked "B" below.

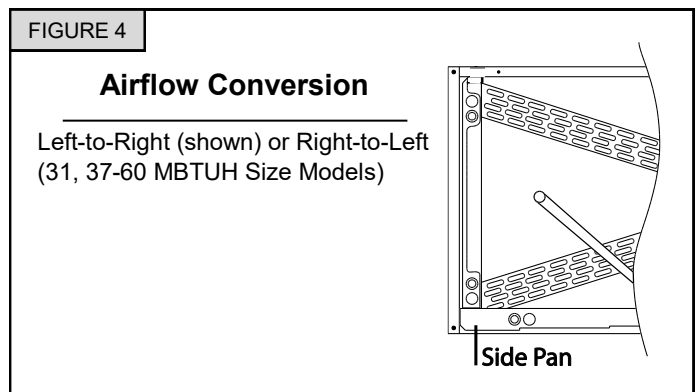


Models listed in Figure 3 are shipped in the horizontal right airflow configuration. To convert to horizontal left airflow, follow these steps:

1. Remove and set aside all front panels.
2. Locate slant coil support bracket and remove the 2 screws from the side of the cabinet.
3. Remove the horizontal drain pan retaining bracket.
4. Carefully remove coil assembly and drain pan(s) as one assembly from the unit.
5. If the air handler is to be used for upflow, the horizontal pan and bracket can be discarded.





6. Remove the screws holding the coil bracket to the left side of top plate. Reposition coil support bracket to right side of top plate.
7. Remove drip shield from front left-hand side of coil assembly and attach to front right-hand side.
8. Repeat for the rear drip shields. Failure to move drip shields will allow air by-pass around coil.
9. If needed for horizontal installation, slide the horizontal drain pan over the bottom pan. If vertical application, only install bottom pan. Install the pan(s) into bottom left hand side of the air handler. If installed properly the drains should match knockouts on the connection panel (Refer to drawing).
10. Install coil assembly back into unit.
11. Re-install slant coil support bracket retaining screws.
12. Knockout required panels for drain line connections. Models listed in figure 4 are shipped in the horizontal right airflow configuration. To convert to horizontal left airflow, follow these steps:



1. Remove and set aside front panels.
2. Carefully remove coil assembly and bottom drain pan as one assembly from the unit.
3. Move side drain pan from left hand side of coil to right.
4. Move coil support bracket under top plate from left hand side of coil to right.
5. Install modified coil assembly back into unit.
6. Knockout required panels for drain line connections.

CAUTION: Take care when removing coil assembly from unit. Installation in this configuration may cause the coil to tip into unit once clear of the cabinet. Support the coil when removing.

ELECTRICAL REQUIREMENTS


**WARNING**

Electrical Shock



Disconnect power before servicing.

Replace all parts and panels before operating.

Electrically ground air handler.

Connect ground wire to ground terminal marked .

Failure to do so can result in death or electrical shock.

**Explosion Hazard**

Keep flammable materials and vapors, such as gasoline, away from this unit.

Place this unit so that the heating elements are at least 18in (46cm) above the floor for a garage insulation.

Failure to follow these instructions can result in death, explosion or fire.

NOTE: Use copper conductors only.

- All field wiring must be done in accordance with National Electrical Code, applicable requirements of UL and local codes, where applicable.
- Electrical wiring, disconnect means and over-current protection are to be supplied by the installer. Refer to the air handler rating plate for maximum over-current protection, minimum circuit Ampacity, as well as operating voltage.
- The power supply must be sized and protected according to the specifications supplied on the product.

DUCTWORK REQUIREMENTS

- Install the conditioned air plenum, ducts and air filters (not provided) in accordance with NFPA 90B Standard for the Installation of Warm Air Heating and Air-Conditioning Systems (latest edition).
- The air handler is provided with flanges for the connection of the plenum and ducts.
- Replacement air filters must be listed as Class 2 furnace air filters.
- Supply and return ductwork must be adequately sized to meet the system's air requirements and static pressure capabilities. Ductwork should be insulated with a

minimum of 1" thick insulation with a vapor barrier in conditioned areas and 2" minimum in unconditioned areas.

- Supply plenum should be the same size as the flanged opening provided around the blower outlet and should extend ideally at least 3 ft. from the air handler before turning or branching off plenum into duct runs. The plenum forms an extension of the blower housing and minimizes air expansion losses from the blower.

INSTALL DUCTWORK

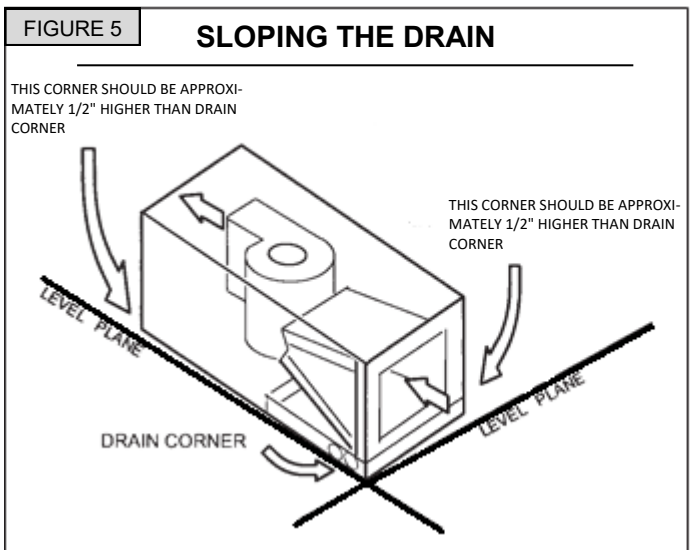
IMPORTANT:

- Install ductwork in accordance with NFPA 90B and any local codes.
- Connect supply air duct to the flange on top of the air handler. If an isolation connector is used, it must be nonflammable.

- A return air duct system is recommended. If the unit is installed in a confined space or closet, a return connection must be run to a location outside the cabinet.

SLOPING THE DRAIN

Make sure the unit is sloped approximately 1/2" (similar to the slope shown in Figure 5) to ensure proper condensate drainage. **NOTE:** Sloping over 5/8" may cause blow off into the auxiliary drain hole in high static situations.



INSTALL CONDENSATE DRAIN

The air handler is provided with $\frac{3}{4}$ " NPT condensate drain connections.

A field fabricated secondary drain pan, with a drain pipe to the outside of the building, is required in all installations over a finished living space or in any area that may be damaged by overflow from the main drain pan. In some localities, local codes require a secondary drain pan for any horizontal installation. The secondary drain pan must have a larger footprint than the air handler.

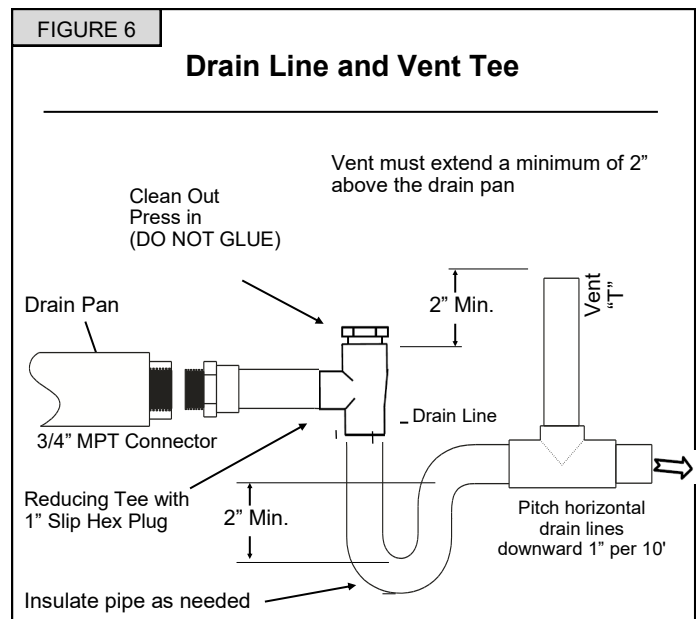
1. Remove the appropriate panel knockouts for drains. See "Drain Pan Connections" section. You may need to remove the indoor coil assembly from the cabinet.
2. Determine the drain connections to be used and note the difference between the primary (green) and secondary (red) openings. Drain plugs are provided for all openings; remove and discard the appropriate plugs with $\frac{1}{2}$ " drive ratchet and verify that remaining plugs are tight (2.5 ft-lbs). Attach drain line to pan with $\frac{3}{4}$ " male pipe thread PVC fittings. Hand tight is adequate – do not over tighten & do not reduce drain line size.
3. Secondary drain connections should be connected to a separate drainage system. Run this drain to a place in compliance with local installation codes where it will be noticed when unit is operational. Condensate flowing from the secondary drain indicates a plugged primary drain.
4. Install a 2" trap in the primary drain line as close to the unit as practical. Make sure the top of the trap is below the connection to the drain pan to allow complete drainage of the pan. **NOTE:** Horizontal runs must also have an anti-siphon air vent (standpipe) installed ahead of the horizontal run. See Figure 6. An extremely long horizontal run may require an oversized drain line to eliminate air trapping. **NOTE:** Do not operate air handler without a drain trap. The condensate drain is on the negative pressure side of the blower; therefore, air being pulled through the condensate line will prevent positive drainage without a proper trap.

5. Route the drain line to the outside or to an appropriate drain. Drain lines must be installed so they do not block service access to the front of the air handler. A 24" clearance is required for filter, coil, or blower removal and service access. **NOTE:** Check local codes before connecting the drain line to an existing drainage system.

6. Insulate the drain lines where sweating could cause water damage

Upon completion of installation, it is the responsibility of the installer to ensure the drain pan(s) is capturing all condensate, and all condensate is draining properly and not dripping into duct/system.

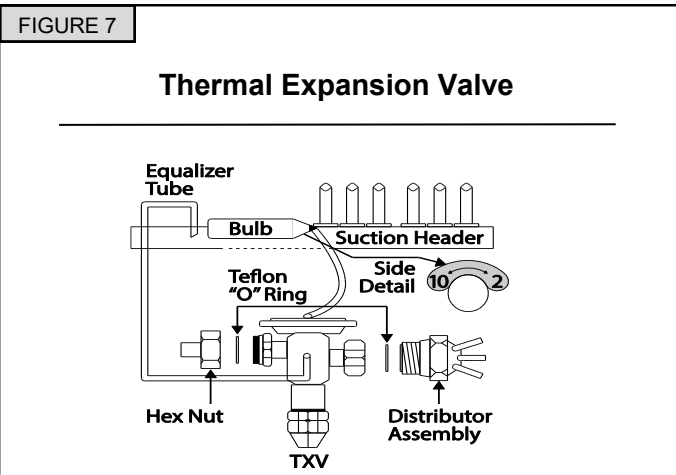
1. Pour several quarts of water into drain pan, enough to fill drain trap and line.
2. Check to make sure the drain pan is draining completely, no leaks are found in drain line fittings, and water is draining from the end of the primary drain pan.
3. Correct any leaks found.



METERING DEVICE

Thermal Expansion Valve (TXV)

Some models are equipped with a factory installed thermal expansion valve. The sensing bulb of the valve needs to be removed during installation and reattached to the header (Fig 7). For optimum performance, attach and insulate the bulb at a 10 or 2 o'clock position outside of the cabinet to the main suction line no more than one foot from suction line connection. If necessary, the bulb can be installed on a vertical suction line. In this instance, the bulb must be placed before any trap, with the bulb's capillary tube facing upward.



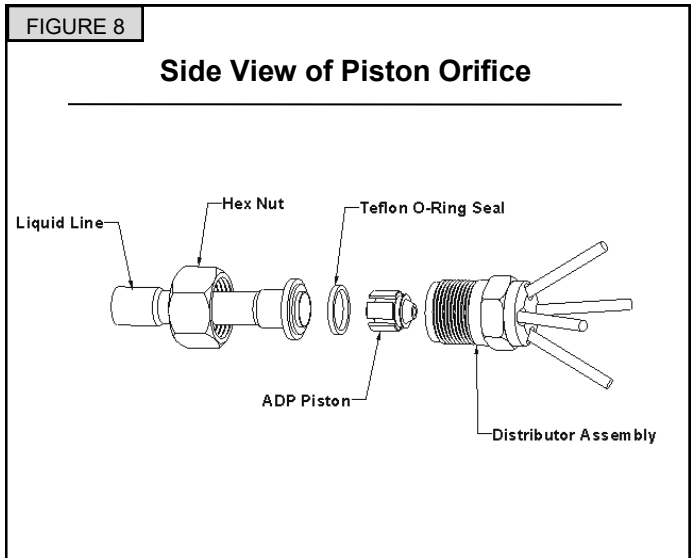
Piston Size				
Ton	R-22		R-410A	
	Piston Size	Part #	Piston Size	Part #
1	41	100000035	41	100000035
1.5	53	100000036	49	100000049
2	59	100000037	53	100000036
2.5	67	100000039	59	100000037
3	73	100000041	67	100000039
3.5	80	100000044	73	100000041
4	84	100000045	76	100000042
5	93	100000047	93	100000047

Pistons

As shipped from the factory, the piston installed in each coil is chosen for the nominal BTUH capacity of the coil. A label on the liquid line identifies the piston size. For optimum performance the piston should be sized to match the nominal BTUH of the condensing unit.

When changing pistons use the following procedure:

1. Loosen hex nut located on liquid line and separate from distributor assembly.
2. Remove the existing piston from inside the distributor assembly
3. Insert the desired piston into the distributor assembly.
4. Inspect "O" ring and replace if damaged. Ensure gasket is in place.
5. Re-install hex nut to body and torque to 10 ft-lbs.



LABEL INSTALLATION

Permanently mark the serial label with the appropriate A1 (R-410A & R-22) refrigerant & metering device used. See example below.

REFRIGERANT: FACTORY CONFIGURED FOR R-410A
 ● FIELD INSTALLED AS R-410A
 ○ FIELD CONFIGURED TO R-22

METERING DEVICE
 ● TXV
 ○ PISTON

REFRIGERANT LINE INSTALLATION

Refrigerant lines must be connected by a licensed, EPA certified refrigerant technician in accordance with established procedures.

IMPORTANT:

- Connecting refrigerant lines must be clean, dehydrated, refrigerant-grade copper lines. Air handler coils should be installed only with specified line sizes for approved system combinations.
 - Use care with the refrigerant lines during the installation process. Sharp bends or possible kinking in the lines will cause a restriction.
 - Do not remove the caps from the lines or system connection points until connections are ready to be completed.
1. Route the suction and liquid lines from the fittings on the indoor coil to the fittings on the outdoor unit. Run the lines in a direct path, avoiding unnecessary turns and bends.
 2. Ensure that the suction line is insulated over the entire exposed length and that both suction and liquid lines are not in direct contact with floors, walls, ductwork, floor joists, or other piping.

3. Connect the suction and liquid line to the evaporator coil.
4. To avoid damaging the rubber grommets in the cabinet while brazing, slide the rubber grommets over the refrigerant lines until they are away from the heat source.
5. Braze with an alloy of silver or copper and phosphorus with a melting point above 1,100°F. **NOTE:** Do not use soft solder.
6. Reinstall the rubber grommets after brazing is finished.
7. Make sure the outdoor air conditioning unit has been put in place according to the Installation Instructions and is connected to the refrigerant lines.

ADP recommends installing a filter drier and sight glass in the liquid line. While brazing, purge the system with Nitrogen to prevent contamination. ADP recommends reattaching and insulating the TXV sensing bulb at a 10 or 2 o'clock position on the suction line, outside the coil housing, no more than one foot from the connection. Evacuate the system to 500 microns to ensure proper air and moisture removal (**Note: Deep evacuation or triple evacuation method recommended**). Open the suction service valve slowly and allow the refrigerant to bleed into the system before opening the liquid service valve.

REFRIGERANT CHARGING INSTRUCTIONS

When charging in cooling mode, the outdoor temperature should be 60°F or higher. To allow the pressures to stabilize, operate the system a minimum of 15 minutes between adjustments. When adjusting charge to systems with micro-channel outdoor coils, make small (1 ounce or less) adjustments as these systems are very sensitive to refrigerant charge.

TXV Charging^{2,3,4} – Use the charging method recommended by the outdoor unit instructions. Alternatively, ADP recommends charging to 12°F sub-cooling for AC units and 10°F sub-cooling for heat pump units. In addition, if equipped with an adjustable valve, adjust to 10°F superheat.

Fixed Orifice Charging^{2,3,4} – Use the superheat recommended by the outdoor unit instructions. Alternatively, for A1 refrigerant installations (R-410A & R-22) ADP recommends charging to the superheat table below.

For heat pump units initially charged in the cooling mode, final adjustments to charge in the heating mode are acceptable if necessary. Some heat pump units require charging in the heating mode. In this case, refer to the outdoor instructions for recommended charging procedures.

If the system is undercharged after the initial charge, add refrigerant until the sight glass is clear and recommended pressures, temperatures, sub-cooling and superheat can be obtained. If the system is overcharged after the initial charge, recover refrigerant until recommended pressures, tempera-

tures, sub-cooling and superheat can be obtained.

Notes:

1. If any problems or questions regarding charge occur, contact customer service.
2. OEM charging methods vary depending on design and application. Verify all recommended pressures, temperatures, sub-cooling and superheat settings result in the proper charge.
3. ADP coils may require charge compensation due to size variation versus the OEM coil.
4. Temperatures are $\pm 2^\circ\text{F}$ unless otherwise recommended.

Outdoor Air Temp. (°F)	60	65	70	75	80	85	90	95	100	105	110	115
Superheat (°F)	31	28	25	22	20	16	13	10	8	6	5	5

SUPPLY VOLTAGE CONNECTIONS

⚠ **WARNING** ⚠

Electrical Shock

Disconnect power before servicing.

Replace all parts and panels before operating.

Electrically ground air handler.

Connect ground wire to ground terminal marked .

Failure to do so can result in death or electrical shock.

Explosion Hazard

Keep flammable materials and vapors, such as gasoline, away from this unit.

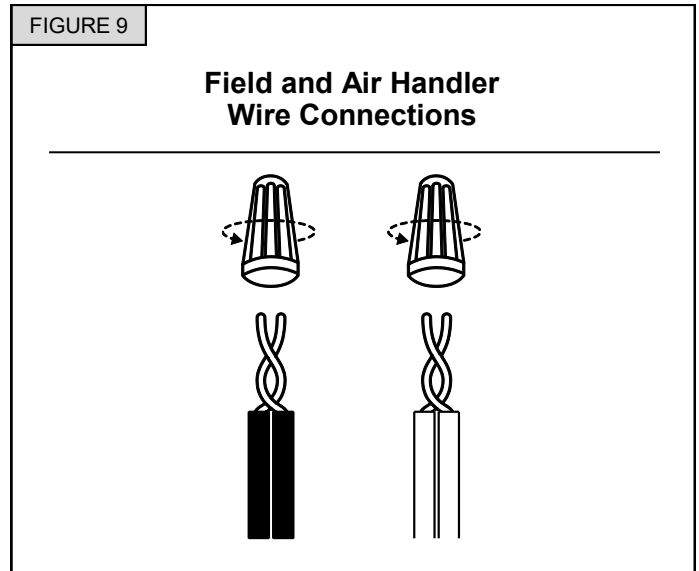
Place this unit so that the heating elements are at least 18in (46cm) above the floor for a garage insulation.

Failure to follow these instructions can result in death, explosion or fire.

1. Disconnect all power supplies.
2. Remove the air handler access panel.
3. Route the field supply wires to the air handler electrical connection box.
4. Using UL listed wire nuts, connect the field supply wires to the air handler; black-to-black, and yellow-to-yellow (240V) or white-to-white (120V), as shown in Figure 8.
5. Connect ground wire to ground terminal marked "GND."
6. Replace the air handler access panel.

Unit Size (MBTUH)	Electric Heat Kit (kW)
12	5
18, 24	10
25	15
30	17.5
31	15
36, 37, 42, 48, 60	20

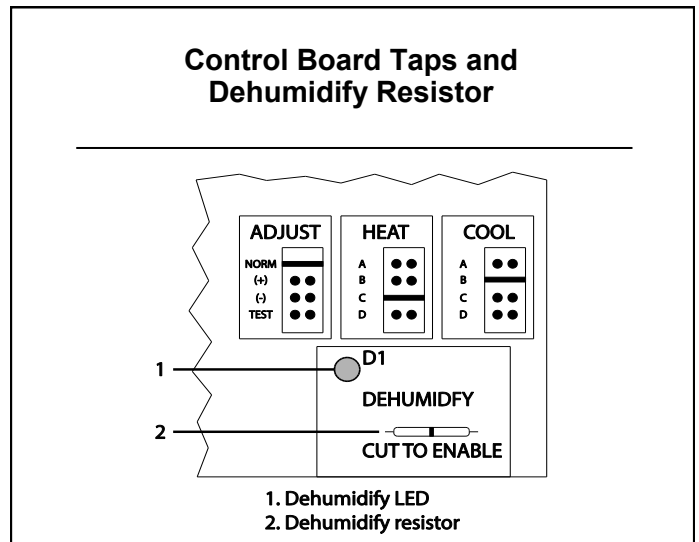
Table: Maximum allowable kW Electric Heat Kits that can be field installed for their respective Air Handler Size.



VARIABLE SPEED CONTROL BOARD

The motor control board that provides selection also features LED indicators that display operating mode, humidity control and airflow CFM. In addition, thermostat signals for emergency heat (EM), aux, heat (W1), reversing valve (O), compressor stage 1 (Y1), compressor stage 2 (Y2) and blower (G) are all indicated by lit LED's on this board. If a humidistat is used, the dehumidify LED will light when the humidistat opens and the motor runs at reduced airflow. The control board also has a CFM LED that displays the operating CFM. This red LED flashes once for each 100 CFM. For example, if the operating CFM is 1200, the CFM LED will flash 12 times, then pause before repeating the 12-flash pattern.

Special Note for Units Equipped with Humidistat: If using a humidistat, the Dehumidify resistor located on the bottom right of the control board must be removed. The HUM terminal on the board must be connected to the Normally Closed contact of the humidistat so that the board senses an open circuit on high humidity.



HOT WATER COIL INSTALLATION

ADP hydronic air handlers (certified to NSF 372) can be used with potable water systems and are shipped with or without circulating pumps. Kits are also available. Refer to pipe and pump sizing in the Air Handler's Engineering & Specification Guide for units with external pumps.

Proper water heating sizing should consider both the gallon capacity AND the BTU input of the water heater.

To determine water heater gallon capacity:

A minimum 40 gallon high recovery and/or high efficiency gas or oil fired water heater is recommended. The following volume -sizing guide is satisfactory in most areas.

1. Determine Volume

CFM	Water Heater Requirements
600-800	40 gallons
1000-1200	40 gallons
1400-1600	Either 2 - 40 gallons piped together, 1 high input 50 gallon (63,000 to 75,000 Btu/hr input), or 1 - 72 (or higher) gallon tank.
2000	Any combination of water heaters piped together with a total output of 105,000 Btu/hr.

2. Determine water heater BTU/HR input requirements

Assume water heater recovery efficiency of 76%

BTU/HR input=

Mild climates: structure heat loss X 1.51

Cold climates: structure heat loss X 1.58

NOTICE

If connecting to tankless water heater, the circulating pump may need to be changed to get proper flow. Refer to water heater instructions for details.

NOTICE

Use copper pipe and fittings. Other compatible piping and fitting materials may be used only if approved by local code authority and only if installed following the manufacturer's application and installation instructions.

NOTICE

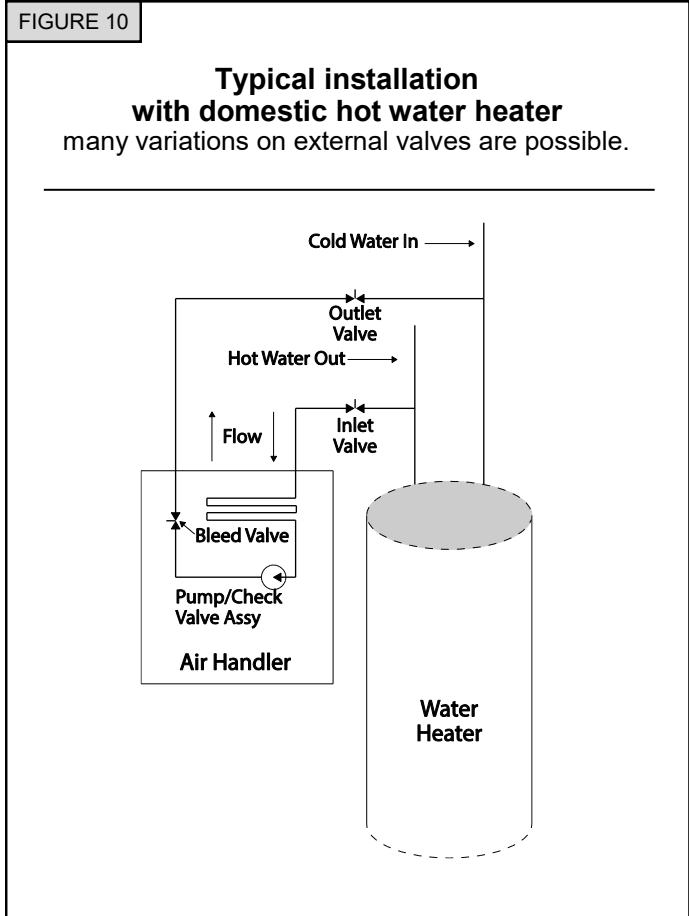
Solder joints on domestic water lines are to be made with NO-LEAD SOLDER.

NOTICE

The State of Mass requires the use of a pump timer on domestic water applications to periodically circulate water during the off cycle. This pump timer requirement is a standard factory installed feature on all B Series Air Handlers. A 50' maximum distance between water heater and air handler is also required.

NOTICE

The factory installed freeze protection on all air handlers with hot water coils is designed to protect the coil from freezing. Installer must protect water piping from freezing when in unconditioned spaces such as attics, crawl spaces, or within structures that may be unoccupied during freezing conditions. Insulating piping or using a water-glycol solution may help prevent pipe freezing.



HOT WATER COIL WATER FLUSHING

Flushing the hot water coil prior to start up is required to remove any residual material from the installation or manufacturing processes as well as remove any air from the system.

A bleed valve comes standard on all air handlers with factory installed circulating pumps. If using an external circulating pump, please use an external purge valve or other mechanism

! **CAUTION** !

Do not engage pump until the flushing process is completed. Running pump dry will cause damage.

! **CAUTION** !

Follow piping manufacturer's requirements for any additional required flushing or cleaning of coil and piping if using non-copper piping.

to flush hot water coil after installation. Take precautions while flushing the air handler to keep the multi-function control board and other electrical components from getting wet. Hot water is preferred for flushing.

Flushing is a 3-step process. Use a bucket or hose to dispose of water from the bleed valve during flushing (refer to Figure 9).

First, flush the return line by closing the inlet valve (supply) and opening the outlet valve (return). Open the bleed valve. Close the bleed valve when flushing is complete.

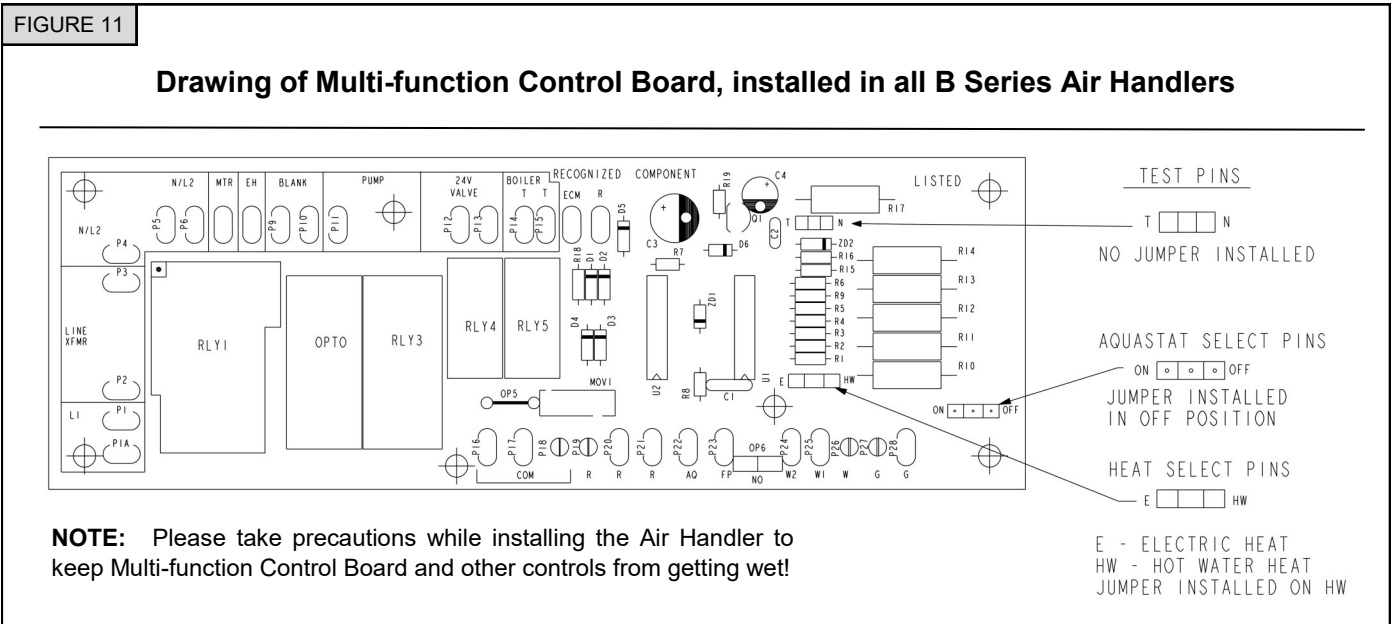
Second, flush the supply line and coil by closing the outlet valve (return) and opening the inlet valve (supply). Open the bleed valve. Close the bleed valve when flushing complete.

Third, apply power to the air handler. Open inlet and outlet valves. Engage pump and open bleed valve. Verify proper flow direction—inlet should become warm before outlet. Close the bleed valve when flushing is complete.

Operate pump for 5 minutes immediately after flushing system to purge remaining air from the pump bearing chamber.

SEQUENCE OF OPERATIONS

The Blower Door Safety Switch circuit must be complete for all Sequence of Operations to take place.



Cooling

When the thermostat calls for cooling, the circuit between R and G is completed, and the blower **relay** is energized. The Normally Open contacts close, causing the indoor blower motor to operate. The circuit between R and Y is also completed; this circuit closes the contactor in the outdoor fan motor. Circuit R and O or R and B energizes the reversing valve, switching it to the cooling position (depends on outdoor unit). Air Handler blower turns off 45 seconds after the thermostat stops calling for cooling.

Heating (electric heat only)

When the thermostat calls for heat, the circuit between R and W is completed, and the heater sequencer is energized. A time delay follows before the heating elements and the indoor blower motor comes on. Units with a second heat sequencer

can be connected with the first sequencer to W on the thermostat sub base or connected to a second stage on the sub base. Air Handler blower turns off 30 seconds after the thermostat stops calling for heating.

Heating (heat pump with electric heat)

When the thermostat calls for heat, the circuits between R and Y and R and G are completed. Circuit R-Y energizes the contactor starting the outdoor fan motor and the compressor. Circuit R and G energizes the blower relay starting the indoor blower motor. Circuit R and O or R and B energizes the reversing valve, switching it to the heating position (depends on outdoor unit). If the room temperature should continue to fall, the circuit between R and W1 is completed by the second stage heat room thermostat. Circuit R-W1 energizes a heat sequencer. The completed circuit will energize supplemental electric heat (if applicable). Units with a second heater

SEQUENCE OF OPERATIONS

sequencer can be connected with the first sequencer to W1 on the thermostat or connected to a second heating stage W2 on the thermostat sub base. Air Handler blower turns off 30 seconds after the thermostat stops calling for heating.

Emergency Heat (heat pump with electric heat)

If selector switch on thermostat is set to the emergency heat position, the heat pump will be locked out of the heating circuit, and all heating will be electric heat (if applicable). A jumper should be placed between W2 and E on the thermostat subbase so that the electric heat control will transfer to the first stage heat on the thermostat. This will allow the indoor blower to cycle on and off with the electric heat when the fan switch is in the AUTO position.

Heating (hot water heat only)

When the thermostat calls for heat, the circuit between R and W is completed, activating the hot water circulating pump. If a field installed circulating pump is being used the control board can still be wired to the pump directly or to an isolation valve supplying hot water to the Air Handler using the control board's 24V relay switch. A similar 24 V dry switching relay labeled TT can be used to activate a boiler or water heater valve. After the circuit between R & W are completed

Units with Factory Installed Aquastats- The water temperature inside the hot water coil must reach 130 deg. F before the circuit between R and G are complete activating the indoor blower motor. To deactivate a factory installed aquastat simply move the selector pin on the multi-function control board (See drawing above) from the on position to the off position.

Units without Factory Installed Aquastats or Deactivated Aquastats- A time delay of 60 seconds follows before the circuit between R and G are complete activating the indoor blower motor.

The Air Handler fan will turn off 30 seconds after the Thermostat stops calling for heating.

Heating (heat pump with hot water heat)

When the thermostat calls for heat, the circuits between R and Y and R and G are completed. Circuit R-Y energizes the contactor starting the outdoor fan motor and the compressor. Circuit R and G energizes the blower relay starting the indoor blower motor. Circuit R and O or R and B energizes the reversing valve,

switching it to the cooling position (depends on outdoor unit). If the room temperature should continue to fall, the second stage heat room thermostat completes the circuit between R and W. If a field installed circulating pump is being used the control board can still be wired to the pump directly or to an isolation valve supplying hot water to the Air Handler using the control board's 24V relay switch. A similar 24 V dry switching relay labeled TT can be used to activate a boiler or water heater valve. After the circuit between R & W are completed

Units with Factory Installed Aquastats- The water temperature inside the hot water coil must reach 130 deg. F before the circuit between R and G are complete activating the indoor blower motor. To deactivate a factory installed aquastat simply move the selector pin on the multi-function control board (See drawing above) from the on position to the off position.

Units without Factory Installed Aquastats or Deactivated Aquastats— a time delay of 60 seconds follows before the circuit between R and G are complete activating the indoor blower motor.

The Air Handler fan will turn off 45 seconds after the Thermostat stops calling for heating.

Freeze Protection (hot water heat)

If the temperature of the water within the hot water coil were to drop below 40°F the circuit between R and W is completed, activating the hot water circulating pump, external circulating pump or isolation valve. Once the water temperature rises above 70°F the circuit between R and W is opened and hot water will stop circulating within the hot water coil.

To prevent the freeze protection from activating the water circulating pump when in cooling mode, move freeze stat to far left or far right of water coil, and insulate with foam tape insulation.

Pump Timer (hot water heat)

The State of Massachusetts requires the use of a pump timer on domestic water applications to periodically circulate water during the off cycle. This pump timer requirement is a standard factory installed feature on all B Series Air Handlers. The Pump timer activates the circulating pump or isolation valve for one minute every six hours by completing the circuit between R and W. The Pump timer is skipped while the outdoor compressor is operating.

AIR HANDLER MAINTENANCE

At the beginning of each heating season the unit should be serviced by a qualified installer or servicing agency.

ASSISTANCE OR SERVICE

If you need further assistance, you may contact us at this address with any questions or concerns. Please include a daytime phone number in your correspondence.

Advanced Distributor Products
1995 Air Industrial Park Road, Grenada, MS 38901
www.adpnow.com

AIR HANDLER CHECKS

Check Blower Operation

1. Set thermostat to FAN ON.
2. The indoor blower should come on.

Check Hot Water Heat (if used)

1. Set thermostat to call for auxiliary heat (approximately 5°F above ambient temperature). The indoor blower and auxiliary heat should come on together.
2. Set the thermostat so it does not call for heat.

Check Airflow

Cooling Blower Speed:

- For proper cooling operation, the airflow through the indoor coil should be between 350 and 450 CFM per ton of cooling capacity (350 - 450 CFM per 12,000 BTU/HR) based on the rating of the outdoor unit.
- The cooling blower speed is factory configured to provide correct airflow for an outdoor unit that matches the maximum cooling capacity rating of the air handler.
- If the outdoor unit is smaller than the maximum cooling capacity rating for the air handler, the cooling blower speed may need to be changed. Refer to "Blower Performance Chart."

IMPORTANT: The cooling blower speed must be set to provide a minimum of 350 CFM airflow per ton (12,000 BTU/HR) of outdoor cooling capacity.

To change blower speed for 3-Speed Motor: (Refer to "Wiring Diagram – 3-Speed Motor.")

As shipped from the factory, the cooling and heating speeds are the same. In some cases it may be necessary to change speed for cooling or heating. To do so, use the following procedure:

1. Disconnect all power supplies.
2. Remove the air handler access panel.
3. Locate the motor wire running from the blower motor to the control board motor tap.
4. Remove the motor wire from the control board and replace with desired motor speed wire from P9 or P10 in the Blank area of board.
5. Replace all panels.
6. Reconnect power.

ADP AIR HANDLER LIMITED WARRANTY

Term of Warranty

Advanced Distributor Products (ADP) warrants that products sold shall be of merchantable quality, free of defects in material and workmanship, under normal use and service, for a period of five (5) years from the date of installation, **not** to exceed six (6) years from the date of manufacture subject to the terms of ADP's limited warranty.

For information on this product's warranty, including accessing complete warranty terms, registering for an extended warranty* or instructions on filing a warranty claim, please go to www.ADPwarranty.com.

* *In such states or provinces where registration requirements are prohibited, failure to complete registration by the consumer does not diminish his or her warranty rights.*

Equipment Information

Please *complete information below and retain this warranty for records and future reference.*

Unit Model Number: _____

Serial Number: _____

Installing Contractor: _____

Installation Date: _____

Phone: _____



2140 Lake Park Blvd, Richardson, TX 75080
www.adpnow.com



Instructions d'installation

Série B

Ventilo-convecteurs hydroniques et multi-positions

Chauffage électrique ou à eau chaude, avec moteur ECM haute efficacité à vitesse variable disponible

TABLEAU DE CONTENU	PAGE	PAGE	
Sécurité du ventilo-convecteur.....	1	Inclinaison du drain.....	12
Généralités.....	2	Installation du drain de condensat.....	13
Schéma de câblage.....	3	Dispositif de mesure.....	14
Connexions du thermostat.....	4	Installation de l'étiquette.....	14
Données de rendement du ventilateur.....	7	Installation de la conduite de réfrigérant.....	15
Inspecter l'expédition.....	9	Instructions de charge du réfrigérant.....	15
Outils et pièces.....	9	Connexions de la tension d'alimentation.....	16
Exigences du système extérieur.....	9	Contrôleur à vitesse variable.....	16
Exigences relatives à l'emplacement.....	9	Installation du serpentín d'eau chaude.....	17
Dégagements d'installation.....	10	Rinçage du serpentín d'eau chaude.....	18
Options de configuration.....	10	Séquence de fonctionnement.....	19
Connexions de la cuvette de drainage.....	11	Entretien du ventilo-convecteur.....	19
Exigences électriques.....	12	Assistance ou service.....	19
Exigences relatives aux gaines.....	12	Vérifications du ventilo-convecteur.....	20
Installation des gaines.....	12	Garantie.....	20

SÉCURITÉ DU VENTILO-CONVECTEUR

CONSIDÉRATIONS DE SÉCURITÉ

Votre sécurité et celle des autres sont très importantes.

Nous avons fourni de nombreux messages de sécurité importants dans ce manuel et sur votre appareil. Toujours lire et respecter tous les messages de sécurité.



Il s'agit du symbole d'alerte de sécurité.

Ce symbole vous avertit des dangers potentiels qui peuvent vous tuer ou vous blesser, ainsi que d'autres personnes.

Tous les messages de sécurité suivent le symbole d'alerte de sécurité et le mot de signal. Ces mots signifient ce qui suit :

DANGER : Vous pouvez être **tué ou gravement blessé** si vous ne suivez pas immédiatement les instructions.

AVERTISSEMENT : Indiquer une situation potentiellement dangereuse qui, si elle n'est pas évitée, peut entraîner **la mort ou des blessures graves**.

ATTENTION : Indique une situation potentiellement dangereuse qui, si elle n'est pas évitée, peut entraîner **des blessures mineures ou modérées**. Des précautions peuvent également être prises pour prévenir les pratiques dangereuses.

AVIS : Indique une déclaration de politique de l'entreprise car le message concerne directement ou indirectement la sécurité du personnel ou la protection des biens.

IMPORTANT : Des informations plus détaillées concernant l'énoncé de la politique de l'entreprise car le message concerne directement ou indirectement la sécurité du personnel ou la protection des biens.

Tous les messages de sécurité vous indiqueront quel est le danger potentiel, vous indiqueront comment réduire le risque de blessure et vous indiqueront ce qui peut se passer si les instructions ne sont pas respectées.



ATTENTION





Cet appareil n'est pas conçu pour être utilisé par des personnes (y compris des enfants) ayant des capacités physiques, sensorielles ou mentales réduites, ou un manque d'expérience et de connaissances, sauf si elles ont été surveillées ou que des instructions ont été données concernant l'utilisation de l'appareil par une personne responsable de leur sécurité. Les enfants doivent être surveillés en s'assurant qu'ils ne jouent pas avec l'appareil.





L'amélioration des produits est un processus continu chez Advanced Distributor Products. Par conséquent, les spécifications du produit peuvent être modifiées sans préavis et sans obligation de notre part. Veuillez contacter votre représentant ou distributeur ADP pour vérifier les détails.

© par Advanced Distributor Products. Tous droits réservés.

SÉCURITÉ DU MANUTENTEUR D'AIR

 **IMPORTANT** 

Cette unité est un CLIMATISEUR À UNITÉ PARTIELLE, conforme aux exigences de la présente norme, et ne doit être connectée qu'à d'autres unités qui ont été confirmées comme étant conformes aux exigences de la présente norme UL 60335-2-40/CSA C22.2 n° 60335-2-40 ou UL 1995/CSA C22.2 n° 236.

 **IMPORTANT** 

Le Clean Air Act de 1990 interdit l'évacuation intentionnelle du réfrigérant (CFC et HFC). Les méthodes de récupération approuvées doivent être respectées. Des amendes et/ou des peines d'emprisonnement peuvent être imposées en cas de non-conformité.

 **AVIS** 

L'altitude maximale de l'application est de 3 200 m au-dessus du niveau de la mer.

 **IMPORTANT** 

Une installation, un réglage, une modification, une maintenance et/ou un entretien incorrects peuvent entraîner des dommages matériels ou des blessures graves, voire mortelles. L'installation et l'entretien doivent être assurés par un installateur de CVAC professionnel certifié ou l'équivalent, une société de service ou le fournisseur du gaz.

 **IMPORTANT** 

Cette unité est une UNITÉ PARTIELLE; elle ne doit être connectée qu'à un appareil utilisant le même réfrigérant que celui indiqué sur la plaque signalétique de cette unité.

GÉNÉRALITÉS

Ces instructions sont données à titre indicatif uniquement et ne remplacent en aucun cas les codes nationaux ou locaux. Le respect de tous les codes locaux, provinciaux ou nationaux relatifs à ce type d'équipement doit être déterminé avant l'installation.

Lire l'intégralité de ce manuel d'utilisation ainsi que les instructions fournies avec l'équipement séparé avant de commencer l'installation.

Tous les modèles sont conçus pour une installation intérieure uniquement.

L'installation du ventilo-convecteur, du câblage sur place, des conduits d'air chaud, etc. doit être conforme aux exigences du Code national de l'électricité, ANSI/NFPA no. 70 (dernière édition) aux États-Unis, ainsi qu'aux lois d'État et ordonnances locales (y compris les codes de plomberie ou des eaux usées). Les autorités compétentes locales doivent être consultées avant l'installation. De telles réglementations ou exigences applicables ont préséance sur les instructions générales de ce manuel.

Installer le plénum d'air conditionné, les gaines et les filtres à air (non fournis) conformément à la norme NFPA 90B relative à l'installation des systèmes de chauffage et de climatisation à air chaud (dernière édition).

Certains modèles sont configurés pour le refoulement d'air ascendant uniquement, et d'autres sont configurés pour le refoulement d'air ascendant ou horizontal à gauche.

Ne pas retirer les ouvertures défonçables de l'enceinte avant d'avoir déterminé quelles ouvertures défonçables doivent être retirées pour l'installation.

 **AVERTISSEMENT** 

Choc électrique

Couper l'alimentation électrique avant de procéder à l'entretien. 

Remettre toutes les pièces et panneaux en place avant de les utiliser.

Mettre le ventilo-convecteur à la terre. 

Connecter le fil de terre à la borne de terre marquée.

Le non-respect de cette consigne peut entraîner la mort ou un choc électrique.

Danger d'explosion

Tenir les matériaux et vapeurs inflammables, comme l'essence, à l'écart de cette unité.

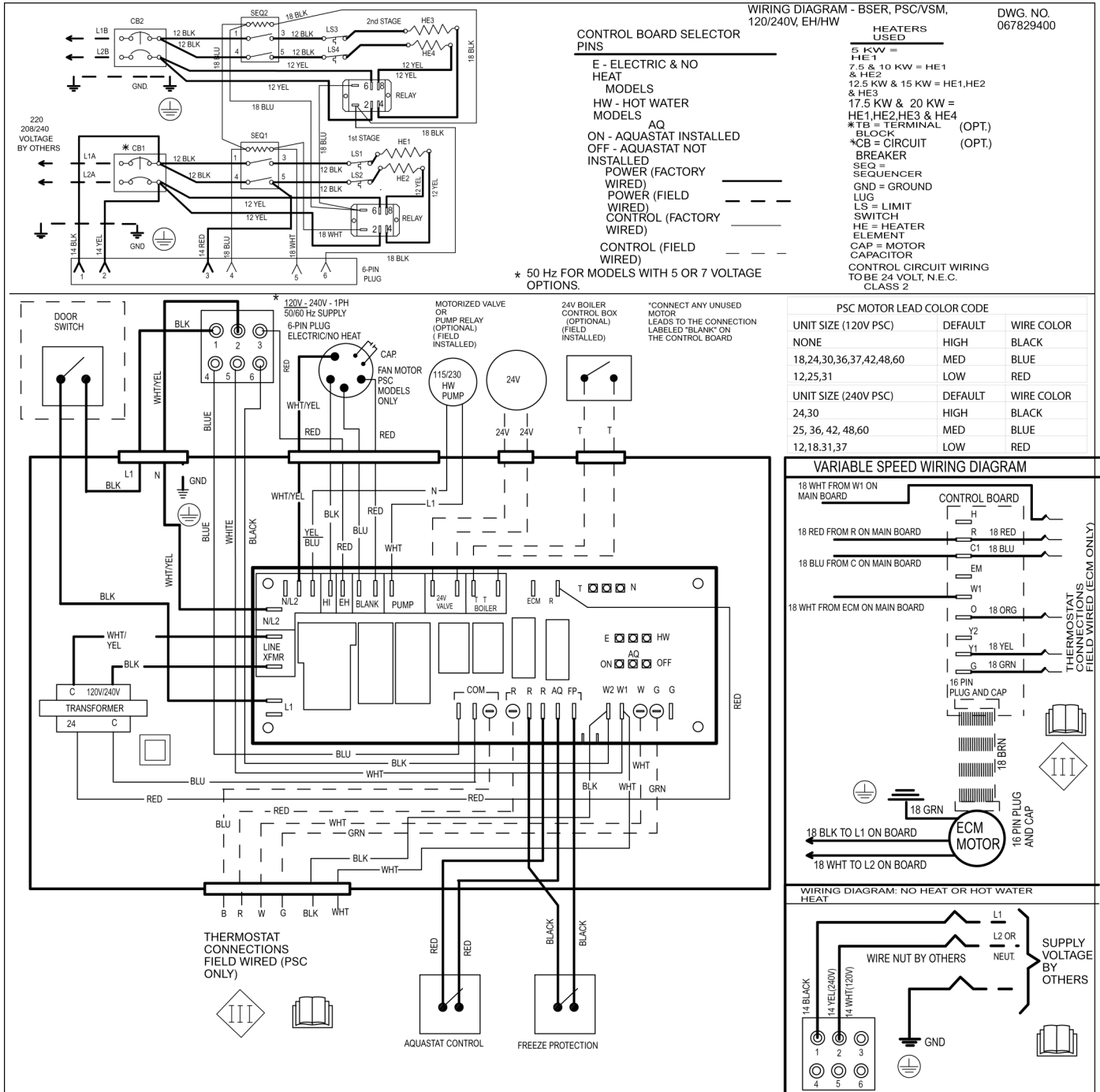
Placer cette unité de manière à ce que les éléments chauffants soient à au moins 18 po (46 cm) au-dessus du sol pour l'isolation du garage. 

Le non-respect de ces instructions peut entraîner la mort, une explosion ou un incendie.

Choisir la position d'installation finale qui convient le mieux aux conditions du site. Tenir compte des dégagements obligatoires, de l'espace, des exigences d'acheminement de la conduite de réfrigérant, de l'évacuation du condensat, des filtres, du système de conduits, du câblage et de l'accessibilité pour l'entretien. Se reporter à la plaque signalétique du ventilo-convecteurconvecteur pour des informations spécifiques.

SCHÉMA DE CÂBLAGE

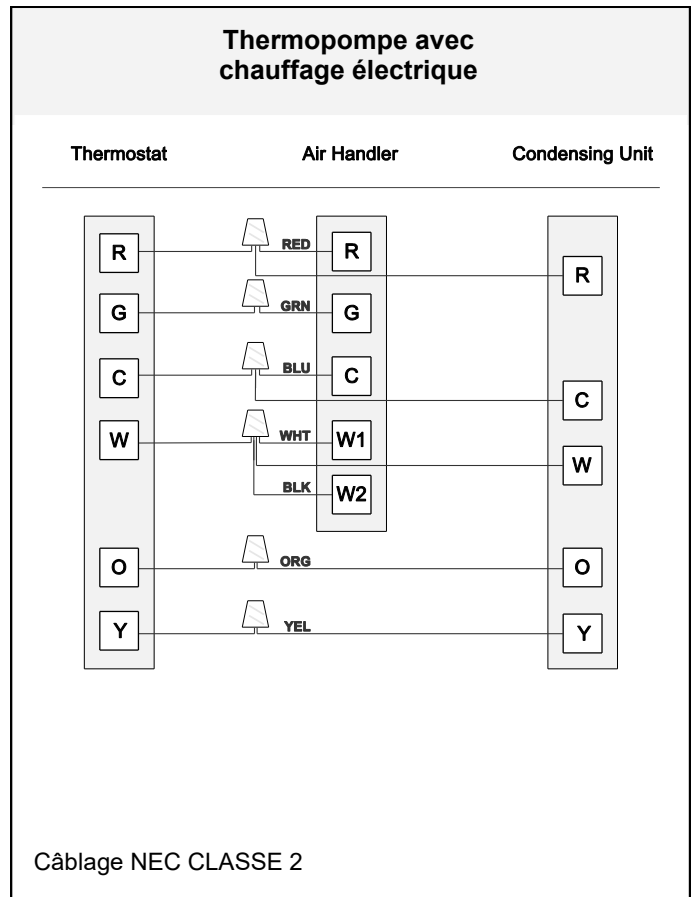
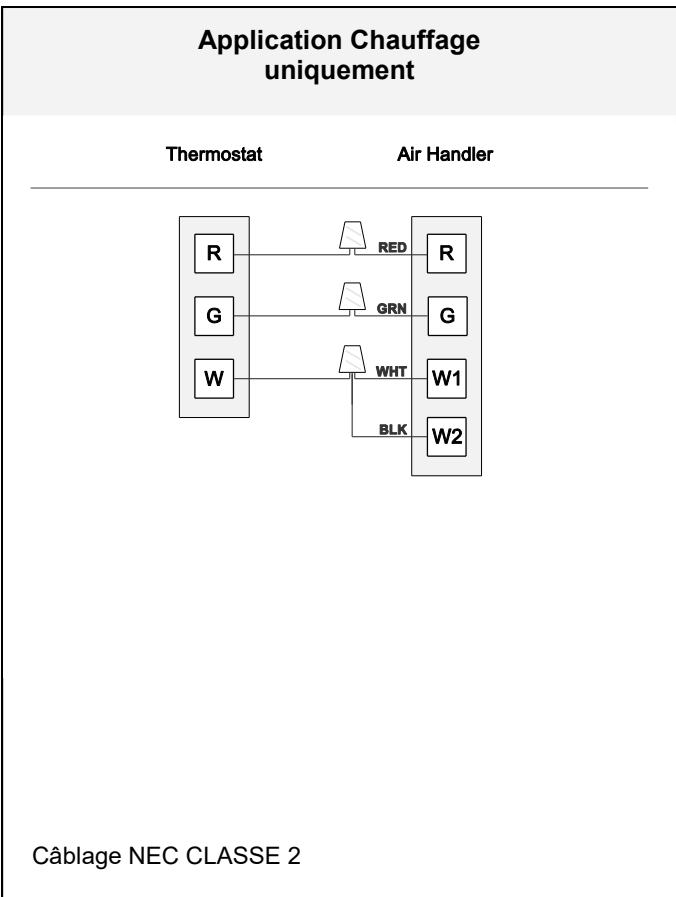
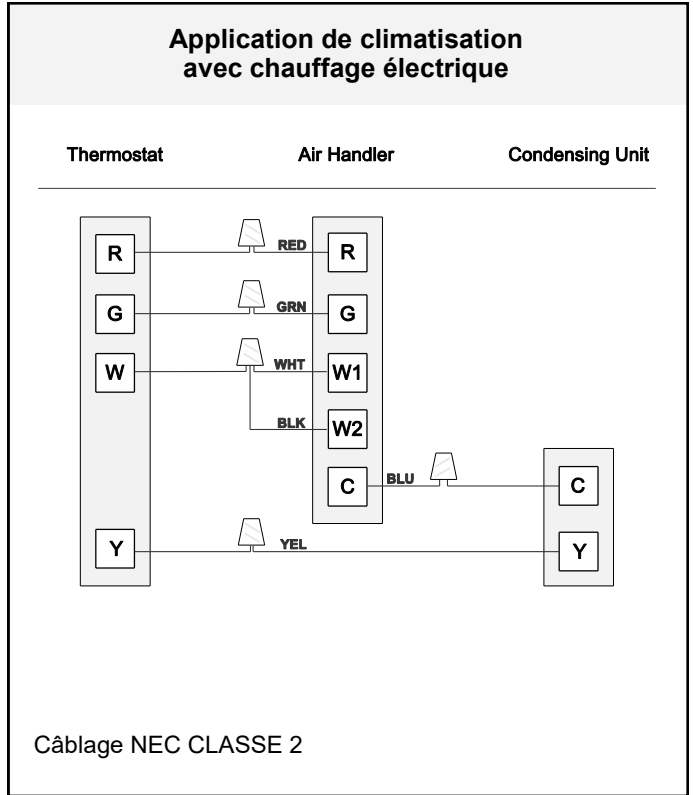
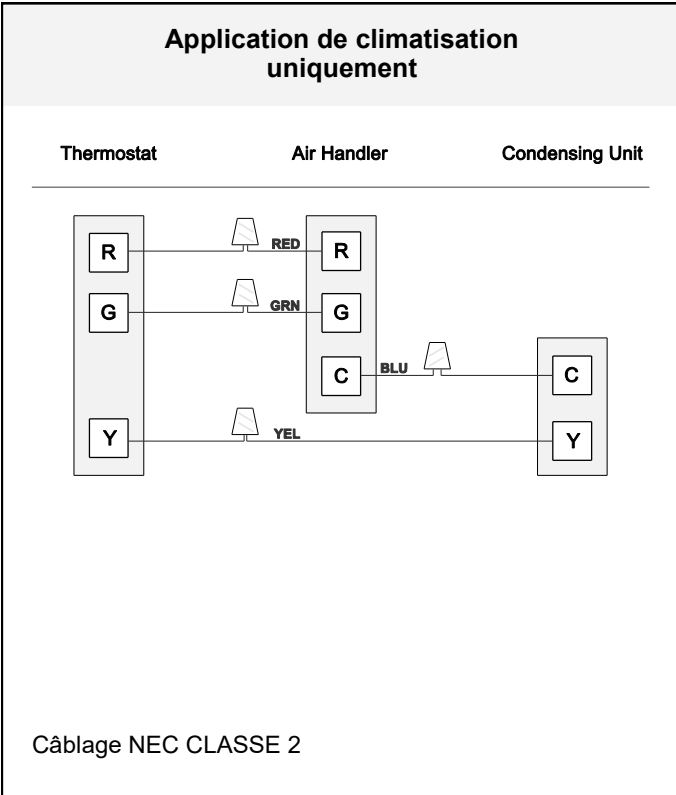
Référence : 67829400 | SCHÉMA DE CÂBLAGE, SÉRIE B, 120 V / 240 V, PSC / ECM, HW / EH



CONNEXIONS DU THERMOSTAT

Moteur 3-Speed (chauffage électrique)

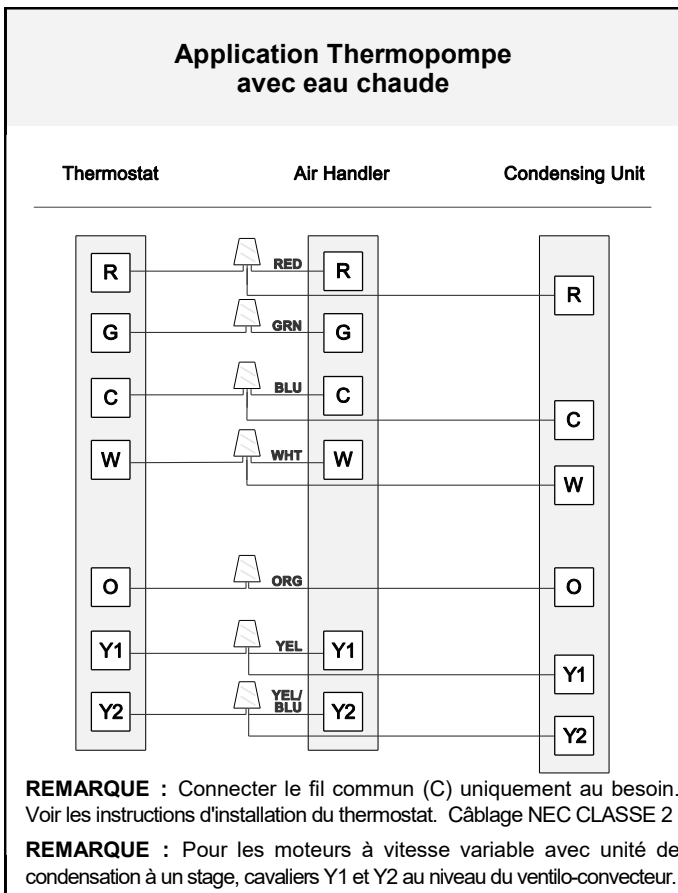
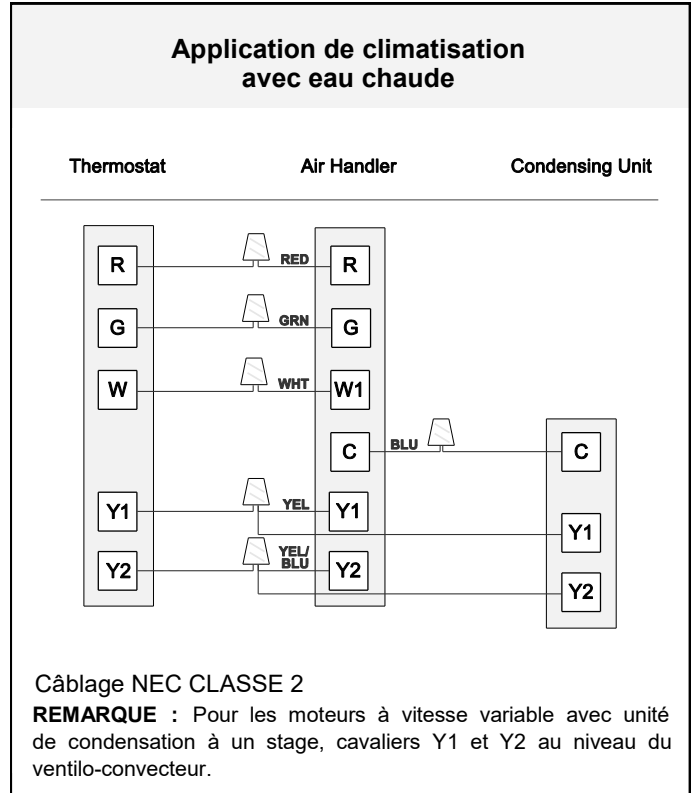
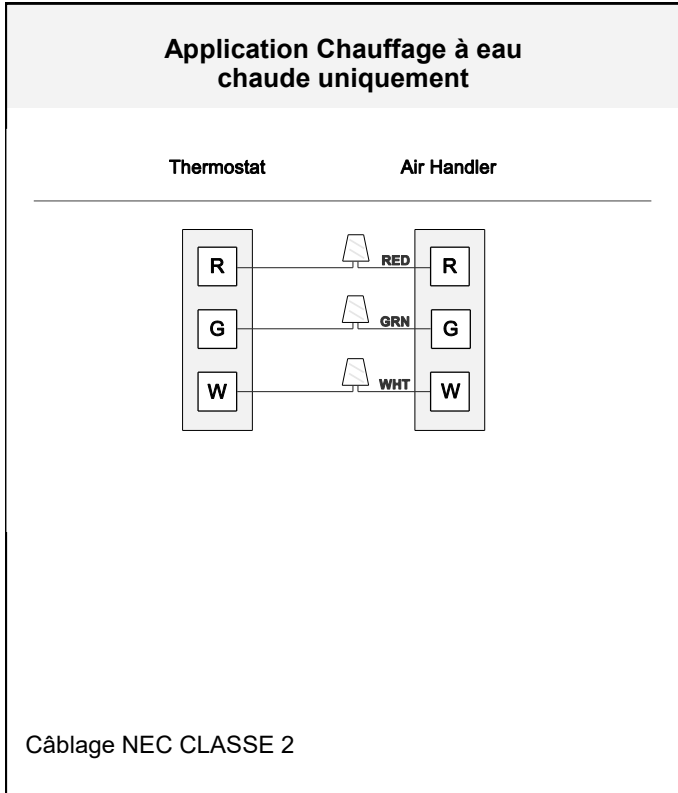
La consommation de courant maximale autorisée des thermostats à vol d'énergie ou d'autres accessoires est de 18 mA. Un dépassement de cette valeur peut entraîner un fonctionnement anormal du panneau de commande du ventilo-convecteur.



CONNEXIONS DU THERMOSTAT

Moteur 3-Speed et moteur ECM haute efficacité à vitesse variable (chauffage à l'eau chaude)

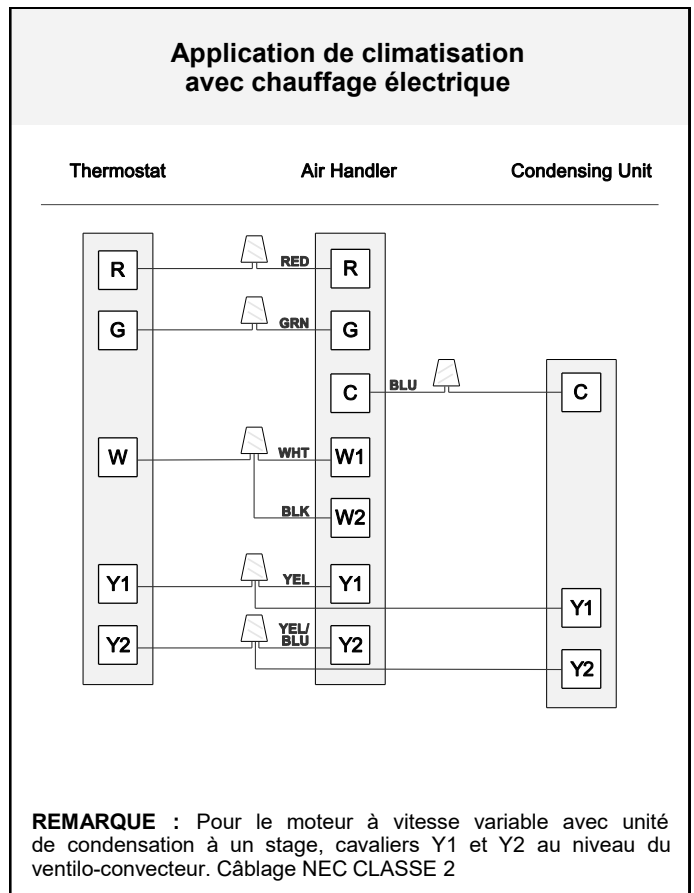
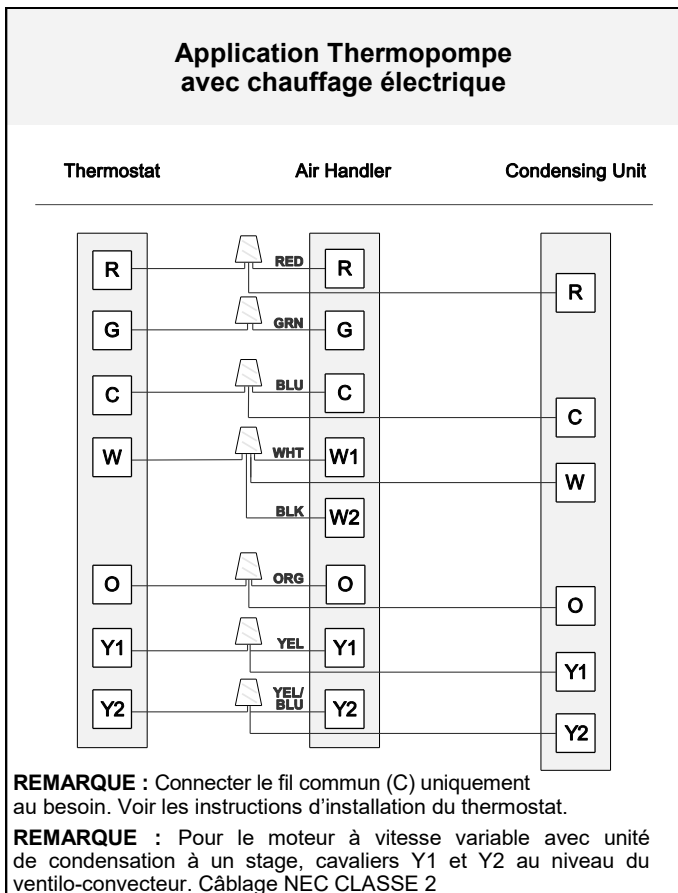
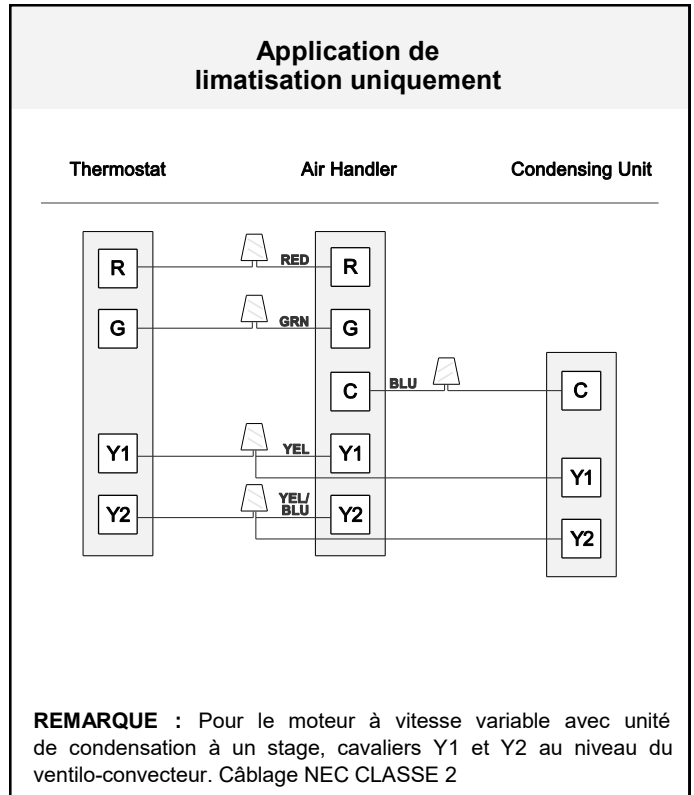
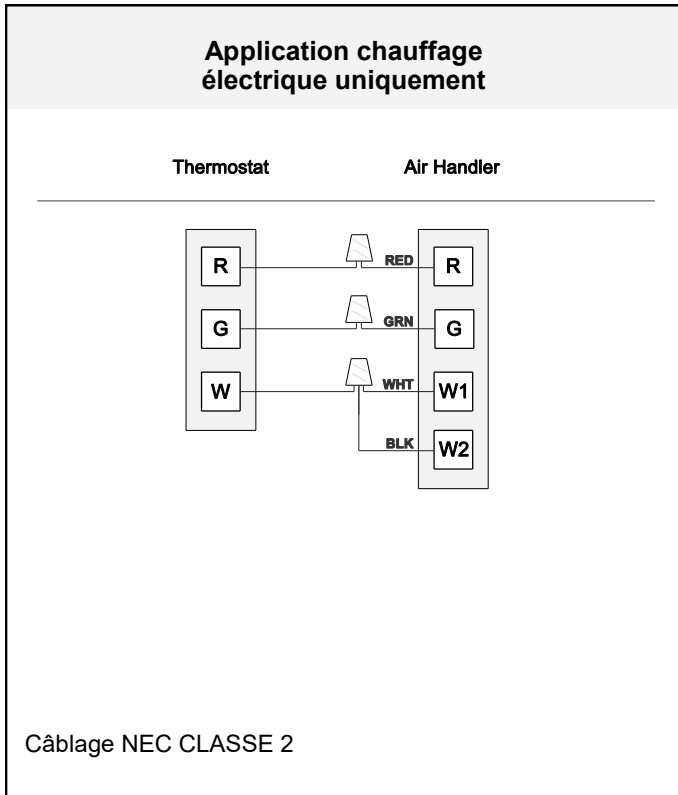
La consommation de courant maximale autorisée des thermostats à vol d'énergie ou d'autres accessoires est de 18 mA. Un dépassement de cette valeur peut entraîner un fonctionnement anormal du panneau de commande du ventilo-convecteur.



CONNEXIONS DU THERMOSTAT

Moteur ECM haute efficacité à vitesse variable (chauffage électrique)

La consommation de courant maximale autorisée des thermostats à vol d'énergie ou d'autres accessoires est de 18 mA. Un dépassement de cette valeur peut entraîner un fonctionnement anormal du panneau de commande du ventilo-convecteur.



DONNÉES DE PERFORMANCE DU VENTILATEUR

Moteur 3-Speed

Toutes les données sont données quand le ventilateur fonctionne avec un serpentin DX sec et un filtre à air installés.

Les vitesses indiquées en **gras avec un astérisque*** sont les réglages usine pour le chauffage et la climatisation. La vitesse de chauffage ne doit pas être inférieure au réglage usine.

Moteur 208/240 V		Débit d'air (CFM) vs. Pression statique extérieure (pouces d'eau)									
Taille de l'unité (MBUTH)	Réglage de la vitesse du ventilateur	Modèles à chauffage électrique					Modèles à eau chaude				
		0,10	0,20	0,30	0,40	0,50	0,10	0,20	0,30	0,40	0,50
12	*Faible	640	635	619	584	513	608	603	588	555	487
	Méd.	907	861	808	743	659	862	818	768	706	626
	Élevé	961	914	854	786	703	913	868	811	747	668
18	*Faible	640	635	619	584	513	608	603	588	555	487
	Méd.	907	861	808	743	659	862	818	768	706	626
	Élevé	961	914	854	786	703	913	868	811	747	668
24	Faible	640	635	619	584	513	608	603	588	555	487
	Méd.	907	861	808	743	659	862	818	768	706	626
	*Élevé	961	914	854	786	703	913	868	811	747	668
25	Faible	757	725	673	602	549	719	689	639	572	522
	*Moyen	893	862	823	746	660	848	819	782	709	627
	Élevé	1111	1059	1005	964	904	1055	1006	955	916	859
30	Faible	757	725	673	602	549	719	689	639	572	522
	Méd.	893	862	823	746	660	848	819	782	709	627
	*Élevé	1111	1059	1005	964	904	1055	1006	955	916	859
31	*Faible	1221	1187	1099	1080	1018	1160	1128	1044	1026	967
	Méd.	1329	1267	1208	1146	1073	1263	1204	1148	1089	1019
	Élevé	1383	1317	1260	1188	1103	1314	1251	1197	1129	1048
36	Faible	1221	1187	1099	1080	1018	1160	1128	1044	1026	967
	*Moyen	1329	1267	1208	1146	1073	1263	1204	1148	1089	1019
	Élevé	1383	1317	1260	1188	1103	1314	1251	1197	1129	1048
37	*Faible	1251	1263	1253	1214	1133	1188	1200	1190	1153	1076
	Méd.	1396	1397	1371	1309	1215	1326	1327	1302	1244	1154
	Élevé	1731	1668	1588	1487	1379	1644	1585	1509	1413	1310
42	Faible	1251	1263	1253	1214	1133	1188	1200	1190	1153	1076
	*Moyen	1396	1397	1371	1309	1215	1326	1327	1302	1244	1154
	Élevé	1731	1668	1588	1487	1379	1644	1585	1509	1413	1310
48	Faible	1627	1582	1513	1432	1328	1546	1503	1437	1360	1262
	*Moyen	1801	1706	1620	1513	1398	1711	1621	1539	1437	1328
	Élevé	1854	1748	1656	1552	1448	1761	1661	1573	1474	1376
60	Faible	1640	1583	1552	1497	1439	1558	1504	1474	1422	1367
	*Moyen	1961	1892	1814	1704	1616	1863	1797	1723	1619	1535
	Élevé	2072	2001	1889	1789	1643	1968	1901	1795	1700	1561

Moteur 120V		Débit d'air (CFM) vs. Pression statique extérieure (pouces d'eau)									
Taille de l'unité (MBUTH)	Réglage de la vitesse du ventilateur	Pas de modèles de chauffage					Modèles à eau chaude				
		0,10	0,20	0,30	0,40	0,50	0,10	0,20	0,30	0,40	0,50
12	*Faible	499	493	470	437	401	458	445	431	402	368
	Méd.	671	636	611	557	490	631	611	581	543	485
	Élevé	727	715	675	631	540	725	691	650	602	544
18	*Faible	499	493	470	437	401	458	445	431	402	368
	Méd.	671	636	611	557	490	631	611	581	543	485
	Élevé	727	715	675	631	540	725	691	650	602	544
24	Faible	687	584	579	549	487	588	580	564	537	471
	Méd.	889	847	795	731	666	771	747	710	671	600
	*Élevé	952	896	847	780	697	893	848	801	714	639
25	Faible	819	812	805	782	735	781	777	773	760	741
	*Moyen	1015	1004	986	961	930	989	989	983	967	942
	Élevé	1155	1149	1122	1090	1039	1095	1089	1072	1049	1020
30	Faible	819	812	805	782	735	781	777	773	760	741
	Méd.	1015	1004	986	961	930	989	989	983	967	942
	*Élevé	1155	1149	1122	1090	1039	1095	1089	1072	1049	1020
31	*Faible	1121	1110	1099	1065	1023	1118	1111	1097	1060	1013
	Méd.	1302	1278	1233	1197	1144	1275	1261	1222	1168	1112
	Élevé	1448	1391	1359	1298	1223	1355	1330	1317	1267	1196
36	Faible	1121	1110	1099	1065	1023	1118	1111	1097	1060	1013
	*Moyen	1302	1278	1233	1197	1144	1275	1261	1222	1168	1112
	Élevé	1448	1391	1359	1298	1223	1355	1330	1317	1267	1196
37	*Faible	1190	1122	1052	1028	1003	1072	1011	947	926	903
	Méd.	1437	1355	1270	1241	1212	1351	1274	1194	1167	1139
	Élevé	1449	1429	1389	1344	1298	1361	1342	1305	1263	1219
42	Faible	1345	1331	1302	1282	1257	1153	1144	1144	1135	1135
	*Moyen	1681	1615	1587	1521	1487	1494	1445	1431	1395	1342
	Élevé	1788	1727	1674	1603	1529	1666	1590	1571	1511	1469
48	Faible	1568	1527	1502	1433	1397	1518	1440	1409	1383	1338
	*Moyen	1775	1724	1672	1563	1505	1652	1575	1541	1506	1459
	Élevé	1881	1834	1765	1693	1597	1736	1668	1614	1564	1524
60	Faible	1662	1650	1643	1614	1568	1646	1642	1639	1630	1606
	*Moyen	1853	1840	1813	1746	1675	1833	1826	1820	1766	1702
	Élevé	2085	2038	1990	1916	1839	2065	2029	1981	1918	1847

DONNÉES DE PERFORMANCE DU VENTILATEUR

Moteur ECM haute efficacité à vitesse variable

Taille de l'unité (MBUTH)	Mode de fonctionnement	Bornes du thermostat						Taps du contrôleur							
		X = Borne sous tension						Climatisation				Chauffage			
		HUM	EM	W1	Y1	Y2	G	A	B	C	D	A	B	C	D
								débit	débit	débit	débit	débit	débit	débit	débit
25	Ventilateur continu						X	500	400	350	350				
	Climatisation élevée / Chauffage HP	**			X	X		1000	800	700	600				
	Climatisation basse puissance/chauffage TP				X			700	560	490	420				
	Aux. Chauffage			X	X	X		***	***	***	***	1000	800	700*	600*
	Émer. Chauffage		X	X				***	***	***	***	1000	800	700*	600*
30, 31	Ventilateur continu						X	600	500	400	350				
	Climatisation élevée / Chauffage HP	**			X	X		1200	1000	800	600				
	Climatisation basse puissance/chauffage TP				X			840	700	560	420				
	Aux. Chauffage			X	X	X		***	***	***	***	1200	1100	1100	1100
	Émer. Chauffage		X	X				***	***	***	***	1200	1100	1100	1100
37	Ventilateur continu						X	600	500	400	350				
	Climatisation élevée / Chauffage HP	**			X	X		1200	1000	800	600				
	Climatisation basse puissance / Chauffage TP				X			840	700	560	420				
	Aux. Chauffage			X	X	X		***	***	***	***	1200	1100*	1100*	1100*
	Émer. Chauffage		X	X				***	***	***	***	1200	1100*	1100*	1100*
42	Ventilateur continu						X	800	700	600	500				
	Climatisation élevée / Chauffage HP	**			X	X		1600	1400	1200	1000				
	Climatisation basse puissance / Chauffage TP				X			1120	980	840	700				
	Aux. Chauffage			X	X	X		***	***	***	***	1600	1400	1200*	1100*
	Émer. Chauffage		X	X				***	***	***	***	1600	1400	1200*	1100*
48	Ventilateur continu						X	800	700	600	500				
	Climatisation élevée / Chauffage HP	**			X	X		1600	1400	1200	1000				
	Climatisation basse puissance / Chauffage TP				X			1120	980	840	700				
	Aux. Chauffage			X	X	X		***	***	***	***	1600	1400*	1200*	1100*
	Émer. Chauffage		X	X				***	***	***	***	1600	1400*	1200*	1100*
60	Ventilateur continu						X	900	800	700	600				
	Climatisation élevée / Chauffage HP	**			X	X		1850	1600	1400	1200				
	Climatisation basse puissance / Chauffage TP				X			1295	1120	980	840				
	Aux. Chauffage			X	X	X		***	***	***	***	1850	1600	1400*	1200*
	Émer. Chauffage		X	X				***	***	***	***	1850	1600	1400*	1200*

* Ce débit n'est pas approuvé pour une utilisation avec un aérotherme de la puissance la plus élevée en kW.

** Humidistat réduit le débit d'air de refroidissement de 10 % en cas d'humidité élevée.

***Le débit d'air est le plus élevé des valeurs REFROIDISSEMENT et CHAUFFAGE quand le chauffage électrique et la thermopompe fonctionnent.

Régler le robinet (+) pour augmenter le débit d'air de 10 %, tandis que le robinet (-) pour le réduire de 12 %.

Le réglage de la prise TEST fait fonctionner le moteur à 70 % du débit d'air total. Utiliser ceci pour le dépannage uniquement.

Au début d'une demande de climatisation, le débit d'air est court à 82 % pendant 7,5 minutes.

À la fin d'une demande de climatisation, le délai d'arrêt du ventilateur est de 1 minute.

INSPECTER L'EXPÉDITION



AVERTISSEMENT



Risque de poids excessif

Utiliser au moins deux personnes pour déplacer et installer le ventilo-convecteur.

Le non-respect de cette consigne peut entraîner des blessures au dos ou d'autres blessures.

Tous les ventilo-convecteurs sont testés. Chaque unité comprend un ensemble ventilateur, un serpentin de réfrigérant et des contrôleurs, dans une enceinte isolée finie en usine. Des détonations sont fournies pour l'entrée du câblage électrique.

1. Vérifier la plaque signalétique d'unité pour confirmer que les spécifications sont conformes à la commande.
2. À la réception de l'équipement, l'inspecter soigneusement pour déterminer s'il a été endommagé pendant le transport. Prendre soin d'examiner l'unité si le carton est endommagé.

En cas de dégâts, ces dégâts doivent être indiqués sur la liste de colisage du transporteur. Les demandes de dommages doivent être déposées immédiatement auprès du carrier. Les demandes de pénurie doivent être déposées auprès du vendeur dans un délai de 5 jours.

REMARQUE : Si des dommages sont découverts et signalés au carrier, ne pas installer l'unité car votre réclamation peut être refusée.

Tableau des tailles des filtres

Taille de l'unité (MBTUH)	Taille du filtre
12-24	12 x 20 po
25-30 et 36	16 x 20 po
31 et 37-48	16 x 24 po
60	18 x 24 po

OUTILS ET PIÈCES NÉCESSAIRES

Assembler les outils et les pièces nécessaires avant de commencer l'installation. Lire et suivre les instructions fournies avec tous les outils indiqués ici :

<i>Tournevis à écrou de 1/4 po</i>	<i>Ruban de mesure</i>
<i>Niveau</i>	<i>Marteau</i>
<i>Entraînement par vis</i>	<i>Étanchéité</i>
<i>Clé réglable</i>	<i>Écrous de câble homologués UL</i>

Orifice de remplacement (si nécessaire, voir « Dispositif de mesure »)

Vérifier les codes locaux, l'alimentation électrique existante et lire les sections « Exigences relatives aux conduites » et « Exigences électriques » avant d'acheter des pièces.

L'ensemble orifice de remplacement situé à l'intérieur du boîtier de commande de l'unité extérieure peut contenir un orifice de taille correcte. Si cet ensemble ne contient pas l'orifice correct pour votre ventilo-convecteur, vous devez acheter l'orifice correct.

EXIGENCES DU SYSTÈME EXTÉRIEUR

Le ventilo-convecteur est conçu pour être utilisé avec des unités extérieures homologuées AHRI. Les sections intérieures sont fabriquées avec un dispositif de mesure du réfrigérant interchangeable pour assurer un contrôle optimal du réfrigérant et un

rendement optimal du système avec différentes capacités d'unités extérieures. Dans certains cas, la puissance AHRI peut exiger que le dispositif de mesure du réfrigérant du ventilo-convecteur soit changé pour obtenir une performance nominale.

EXIGENCES RELATIVES À L'EMPLACEMENT

REMARQUE : Quand l'unité est installée dans un endroit très humide et utilisée dans les applications de climatisation, une transpiration excessive peut se produire à l'extérieur de l'unité. Pour éviter les sueurs excessives, envelopper l'unité avec une isolation en fibre de verre de 1 po. Toutes les ouvertures doivent être étanchéifiées pour éviter les fuites d'air qui pourraient entraîner la formation de condensat à l'intérieur de l'enceinte.

- S'il est installé dans un espace non climatisé, un agent d'étanchéité doit être appliqué autour des fils électriques, des tubes de réfrigérant et des conduites de condensat à l'endroit où ils entrent dans l'enceinte.

- Les fils électriques doivent être scellés à l'intérieur, à l'endroit où ils sortent de l'ouverture du conduit. Un agent d'étanchéité est nécessaire pour empêcher les fuites d'air et la formation de condensat à l'intérieur du ventilo-convecteur, du boîtier de contrôle et des contrôleurs électriques.

- Le ventilo-convecteur doit être installé de manière à permettre un accès libre au compartiment du serpentin/filtre et au compartiment du ventilateur/contrôleur.

DÉGAGEMENTS D'INSTALLATION

Le dégagement par rapport aux matériaux combustibles doit être de 0 po par rapport au corps de l'unité et de 0 po par rapport au plénum et à la gaine pendant les premiers 36 po.

Le ventilo-convecteur peut être installé dans un placard à faux fond pour former un plénum de retour d'air ou installé avec un plénum de retour d'air sous le ventilo-convecteur.

Les registres ou grilles de retour d'air sont fournis sur place. Les codes locaux peuvent limiter l'application des systèmes sans retour avec conduits dans les bâtiments à un étage.

- Installer les registres dans un placard. Utiliser le « Tableau des exigences minimales du filtre » pour déterminer la taille de l'ouverture qui fournira la quantité d'air libre dont vous aurez besoin. En cas d'utilisation de registres ou de grilles, faire correspondre la surface libre du registre ou de la grille à la surface libre minimum de retour d'air que vous avez déterminée nécessaire en consultant le « Tableau des exigences minimales du filtre ».

OPTIONS DE CONFIGURATION

Pour faciliter l'installation, il est préférable de modifier la configuration du serpentín avant de mettre le ventilo-convecteur en place.

- Les ventilo-convecteurs verticaux ascendants ne contiennent qu'une seule cuvette de drainage.
- Les ventilo-convecteurs multi-positions contiennent 2 cuvettes de drainage.

Installations verticales (vers le haut)

Le ventilo-convecteur doit être supporté par le dessous uniquement et installé sur un plancher solide ou un cadre de support fourni sur place. Fixer solidement le ventilo-convecteur au sol ou au cadre de support. Pour une meilleure efficacité et un meilleur débit d'air, le bac de drainage horizontal (si installé) doit être retiré des unités en configuration ascendante.

Installations horizontales

Les installations horizontales peuvent être alimentées en air à gauche ou à droite.

Un support adéquat doit être fourni pour assurer l'intégrité de l'enceinte. Les unités montées à l'horizontale doivent être montées légèrement inclinées vers les connexions de drainage (voir Figure 5) de manière à ce que la cuvette de drainage se vide complètement sans que de l'eau ne se retienne dans la cuvette. S'assurer qu'il y a suffisamment d'espace pour retirer les panneaux de service et d'accès en cas d'installation en position horizontale.

IMPORTANT :

- Ce serpentín est fourni avec un drain secondaire qui doit être piégé et raccordé à un endroit qui avertit visuellement l'occupant que le drain primaire est bouché. Voir « Installation du drain de condensat ».
- Quand un serpentín d'évaporateur est installé dans un grenier ou au-dessus d'un plafond fini, une cuvette de drainage auxiliaire doit être installée sous le ventilo-convecteur comme spécifié par la plupart des codes du bâtiment locaux, et doit avoir un encombrement supérieur à celui du ventilo-convecteur.
- Prolonger l'isolation de la conduite d'aspiration de 2 po dans l'enceinte du serpentín pour empêcher l'humidité de s'égoutter sur l'isolation (il peut être nécessaire de retirer le passe-fil en caoutchouc).

- Si la zone libre n'est pas connue, supposer une zone libre de 25 % pour le bois ou une zone libre de 75 % pour les grilles ou registres métalliques.
- Si le plénum de retour d'air est utilisé, la grille de retour d'air doit être immédiatement devant l'ouverture du plénum pour permettre le libre débit de l'air de retour.
- S'il n'est pas installé devant l'ouverture, il doit y avoir un dégagement suffisant autour du ventilo-convecteur pour permettre la libre circulation de l'air de retour.

Conversion de Vertical à Horizontal

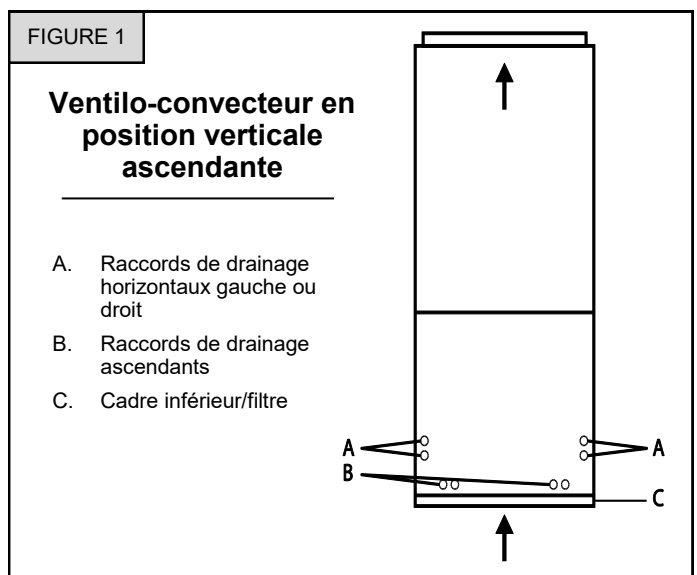
Un ventilo-convecteur vertical uniquement peut être converti en évacuation horizontale en installant un ensemble de cuvette de drainage horizontale (voir accessoires).

Un ventilo-convecteur multi-positions peut être converti d'un refoulement horizontal à gauche à un refoulement horizontal à droite sans pièces supplémentaires.

Installation de l'enceinte suspendue

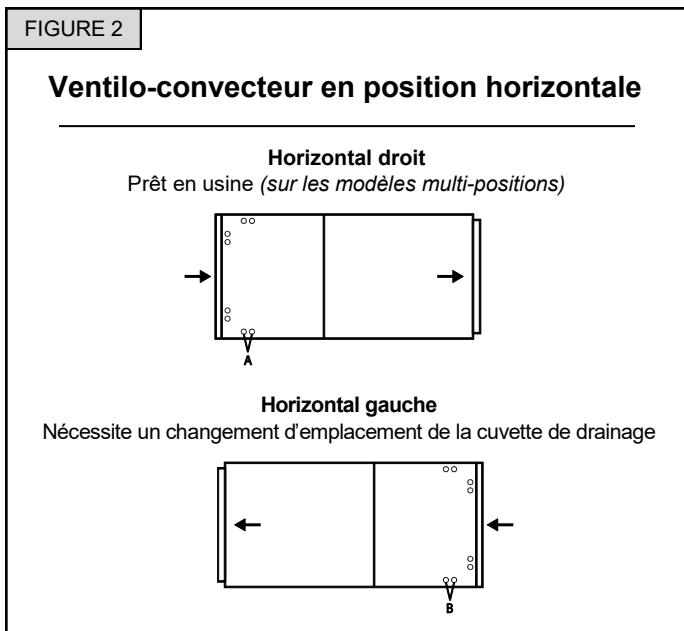
REMARQUE : Le ventilo-convecteur doit être positionné d'un côté parallèle au sol en position horizontale, avec un pas de 1/2 po vers le drain.

Les dispositifs de suspension doivent être fabriqués sur place et doivent être composés d'au moins deux « socles » fabriqués en fixant deux tiges filetées de 3/8 po à un entretoise de 1-5/8 x 7/8 po. Les socles ne doivent pas interférer avec le retrait du panneau, les connexions de drainage ou les connexions de réfrigérant.



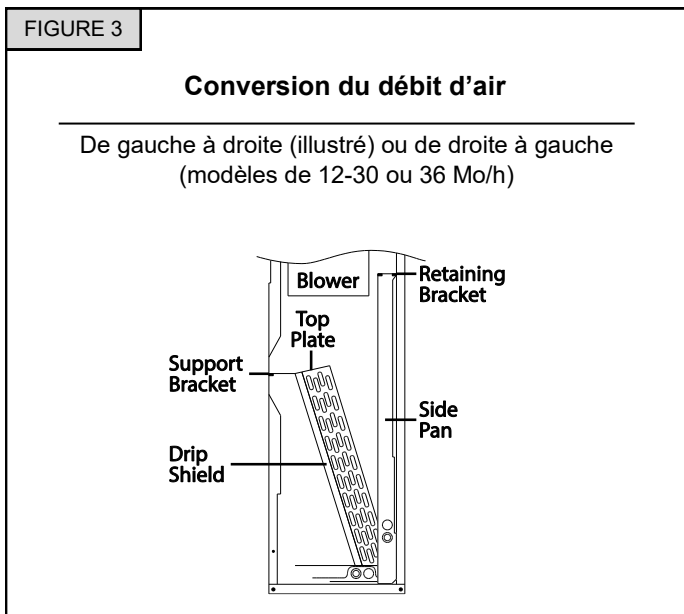
CONNEXIONS DE LA CUVE DE DRAINAGE

Les installations horizontales peuvent être « droite » ou « gauche ».
 Pour les installations horizontales à droite, il peut être nécessaire de changer l'emplacement de la cuvette de drainage. Utiliser les raccords de drainage « A » ci-dessous. Pour les installations horizontales à gauche, utiliser les raccords de drainage marqués « B » ci-dessous.

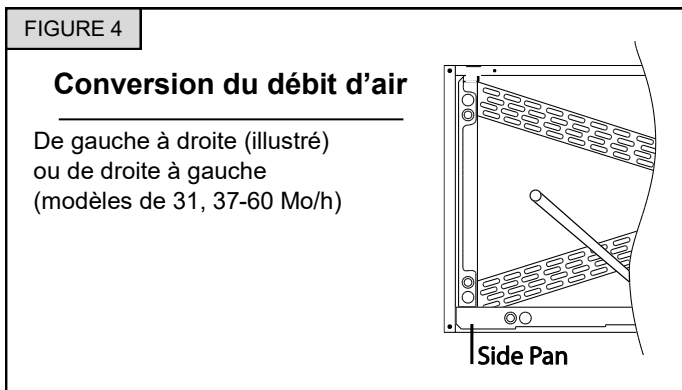


Les modèles indiqués à la Figure 3 sont expédiés avec une configuration horizontale à droite. Pour convertir en débit d'air horizontal gauche, procédez comme suit :

1. Retirer et mettre de côté tous les panneaux avant.
2. Repérer le support incliné du serpentin et retirer les 2 vis du côté de l'enceinte.
3. Retirer le support de fixation de la cuvette de drainage horizontale.
4. Retirer soigneusement l'ensemble serpentin et la ou les cuvette(s) de drainage de l'unité.
5. Si le ventilo-convecteur doit être utilisé pour une circulation ascendante, la cuvette horizontale et le support peuvent être jetés.



6. Retirer les vis maintenant le support du serpentin sur le côté gauche de la plaque supérieure. Repositionner le support du serpentin sur le côté droit de la plaque supérieure.
 7. Retirer la protection anti-égouttures du côté avant gauche de l'ensemble serpentin et la fixer sur le côté avant droit.
 8. Répéter l'opération pour les protections anti-égouttures arrière. Si les protections anti-égouttures ne sont pas déplacées, l'air passe autour du serpentin.
 9. Si nécessaire pour une installation horizontale, faire glisser la cuvette de drainage horizontale sur la cuvette inférieure. En cas d'application verticale, n'installer que la cuvette inférieure. Installer la ou les cuvette(s) en bas à gauche du ventilo-convecteur. S'ils sont installés correctement, les drains doivent correspondre aux ouvertures défonçables sur le panneau de connexion (voir schéma).
 10. Remettre l'ensemble serpentin dans unité.
 11. Remonter les vis de fixation du support incliné du serpentin.
 12. Décoller les panneaux nécessaires pour les connexions des conduites de drainage.
- Les modèles indiqués à la figure 4 sont expédiés en configuration horizontale droite. Pour convertir en débit d'air horizontal gauche, procédez comme suit :



1. Retirer et mettre de côté les panneaux avant.
2. Retirer soigneusement l'ensemble serpentin et la cuvette de drainage inférieure de l'unité.
3. Déplacer la cuvette de drainage latérale du côté gauche du serpentin vers la droite.
4. Déplacer le support du serpentin sous la plaque supérieure du côté gauche du serpentin vers la droite.
5. Remonter l'ensemble serpentin modifié dans l'unité.
6. Décoller les panneaux nécessaires pour les connexions des conduites de drainage.

ATTENTION : Faire attention lors du retrait de l'ensemble serpentin de unité. L'installation dans cette configuration peut faire basculer le serpentin dans l'unité une fois dégagé de l'enceinte. Appuyer sur le serpentin pour le retirer.

EXIGENCES ÉLECTRIQUES

 **AVERTISSEMENT** 

Choc électrique

Couper l'alimentation électrique avant de procéder à l'entretien.

Remettre toutes les pièces et panneaux en place avant de les utiliser.

Mettre le ventilateur-convecteur à la terre.

Connecter le fil de terre à la borne de terre marquée . 

Le non-respect de cette consigne peut entraîner la mort ou un choc électrique.

Danger d'explosion

Tenir les matériaux et vapeurs inflammables, comme l'essence, à l'écart de cette unité. 

Placer cette unité de manière à ce que les éléments chauffants soient à au moins 18 po (46 cm) au-dessus du sol pour l'isolation du garage.

Le non-respect de ces instructions peut entraîner la mort, une explosion ou un incendie.

REMARQUE : Utiliser uniquement des conducteurs en cuivre.

- Tout le câblage sur place doit être effectué conformément au National Electrical Code, aux exigences applicables de UL et aux codes locaux, le cas échéant.
- Le câblage d'alimentation, les moyens de déconnexion et la protection contre les surtensions doivent être fournis par l'installateur. Se reporter à la plaque signalétique du ventilateur-convecteur pour la protection maximale contre les surtensions, l'ampérage minimum du circuit et la tension de fonctionnement.
- L'alimentation électrique doit être dimensionnée et protégée conformément aux spécifications fournies avec le produit.

EXIGENCES EN MATIÈRE DE CONDUITES

- Installer le plénum d'air conditionné, les gaines et les filtres à air (non fournis) conformément à la norme NFPA 90B relative à l'installation des systèmes de chauffage et de climatisation à air chaud (dernière édition).
- Le ventilateur-convecteur est fourni avec des brides pour le raccordement du plénum et des gaines.
- Les filtres à air de remplacement doivent être homologués comme filtres à air de générateur d'fournaise de Classe 2.
- Les gaines d'alimentation et de retour doivent être correctement dimensionnées pour répondre aux exigences du système en matière d'air et de pression

statique. Les gaines doivent être isolées avec une isolation d'au moins 1 po d'épaisseur avec une barrière anti-vapeur dans les zones climatisées et d'au moins 2 po dans les zones non climatisées.

- Le plénum d'alimentation doit être de la même taille que l'ouverture à bride fournie autour de la sortie du ventilateur et doit idéalement dépasser d'au moins 3 pi du ventilateur-convecteur avant de tourner ou de ramifier le plénum dans les conduits. Le plénum forme une extension du boîtier du ventilateur et minimise les pertes d'expansion d'air du ventilateur.

INSTALLATION DES GAINES

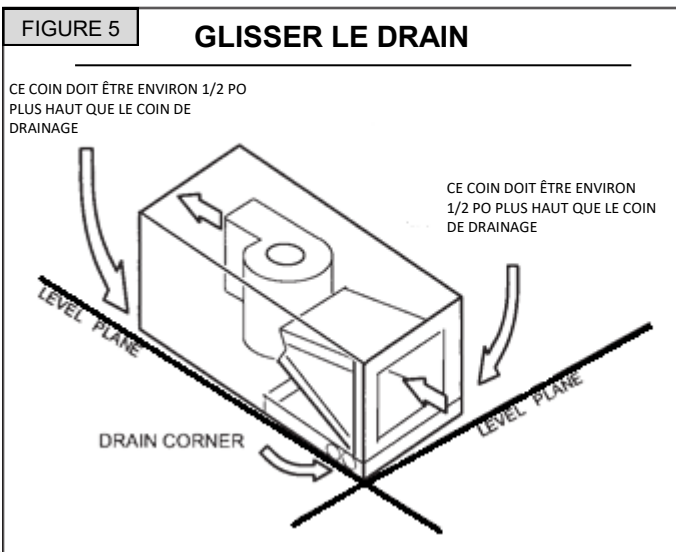
IMPORTANT :

- Installer les gaines conformément à la norme NFPA 90B et aux codes locaux.
- Raccorder le conduit d'alimentation d'air à la bride au-dessus du ventilateur-convecteur. Si un connecteur d'isolation est utilisé, il doit être ininflammable.

- Un système de conduits de retour d'air est recommandé. Si l'unité est installée dans un espace confiné ou un placard, une connexion de retour doit être installée à l'extérieur de l'enceinte.

INCLINAISON DU DRAIN

S'assurer que l'unité est inclinée d'environ 1/2 po (similaire à la pente illustrée à la Figure 5) pour assurer un drainage correct du condensat. **REMARQUE :** Une pente de plus de 5/8 po peut causer un refoulement dans le trou de drainage auxiliaire en cas de forte électricité statique.



INSTALLATION DU DRAIN DE CONDENSAT

Le ventilo-convecteur est fourni avec des raccords de drainage de condensat NPT de 3/4 po.

Un bac de drainage secondaire fabriqué sur place, avec un tuyau de drainage vers l'extérieur du bâtiment, est nécessaire pour toute installation sur un espace de vie fini ou dans toute zone pouvant être endommagée par le débordement du bac de drainage principal. Dans certaines localités, les codes locaux exigent une cuvette de drainage secondaire pour toute installation horizontale. La cuvette de drainage secondaire doit avoir un encombrement supérieur à celui du ventilo-convecteur.

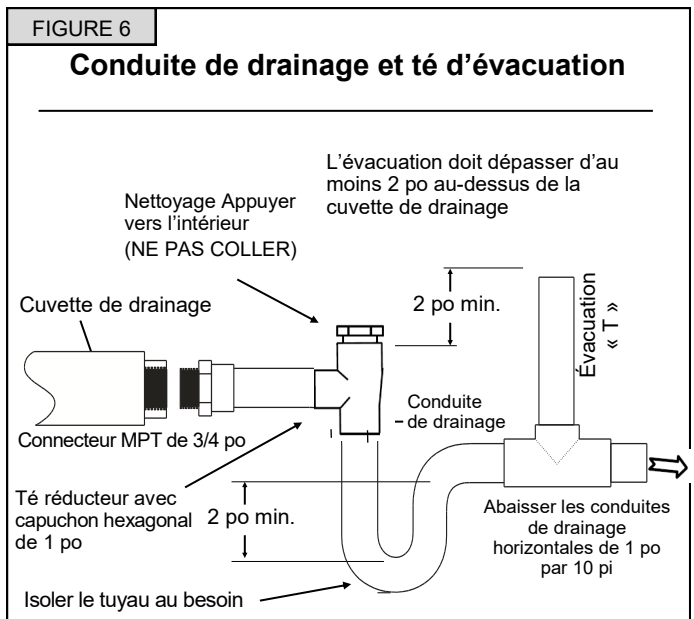
1. Retirer les ouvertures défonçables appropriées pour les drains. Voir la section « Connexions de la cuvette de drainage ». Il peut être nécessaire de retirer l'ensemble serpentín intérieur de l'enceinte.
2. Déterminer les connexions de drainage à utiliser et noter la différence entre les ouvertures primaire (verte) et secondaire (rouge). Des bouchons de drainage sont fournis pour toutes les ouvertures; retirer et jeter les bouchons appropriés avec un cliquet d'entraînement de 1/2 po et vérifier que les autres bouchons sont bien serrés (2,5 pi-lb). Fixer la conduite de drainage à la cuvette avec des raccords en PVC filetés mâles de 3/4 po. Le serrage à la main est suffisant – ne pas trop serrer et ne pas réduire la dimension de la conduite de drainage.
3. Les connexions de drainage secondaire doivent être connectées à un système de drainage séparé. Amener ce drain à un endroit conforme aux codes d'installation locaux où il sera remarqué quand l'unité est opérationnelle. Le condensat s'écoulant du drain secondaire indique un drain primaire bouché.
4. Installer un purgeur de 2 po dans la conduite de drainage primaire aussi près que possible de l'unité. S'assurer que la partie supérieure du siphon se trouve sous la connexion au bac de drainage pour permettre un drainage complet du bac. **REMARQUE** : Les tronçons horizontaux doivent également être équipés d'un conduit d'évacuation anti-siphon (tuyau de support) installé avant le tronçon horizontal. Voir Figure 6. Un parcours horizontal extrêmement long peut nécessiter une conduite de drainage surdimensionnée pour éliminer les blocages. **REMARQUE** : Ne pas faire fonctionner le ventilo-convecteur sans purgeur. Le drain de condensat est du côté pression négative du ventilateur; par conséquent, l'air aspiré par la conduite de condensat empêchera un drainage positif sans purgeur approprié.

5. Acheminer la conduite de drainage jusqu'à l'extérieur ou un drain approprié. Les conduites de drainage doivent être installées de manière à ne pas bloquer l'accès d'entretien à l'avant du ventilo-convecteur. Un dégagement de 24 po est nécessaire pour le retrait du filtre, du serpentín ou du ventilateur et l'accès à l'entretien. **REMARQUE** : Vérifier les codes locaux avant de connecter la conduite de drainage à un système de drainage existant.

6. Isoler les conduites de drainage là où la transpiration peut endommager l'eau.

Une fois l'installation terminée, il incombe à l'installateur de s'assurer que la ou les cuvette(s) de drainage capturent tout le condensat et que tout le condensat s'écoule correctement et ne s'égoutte pas dans le conduit/système.

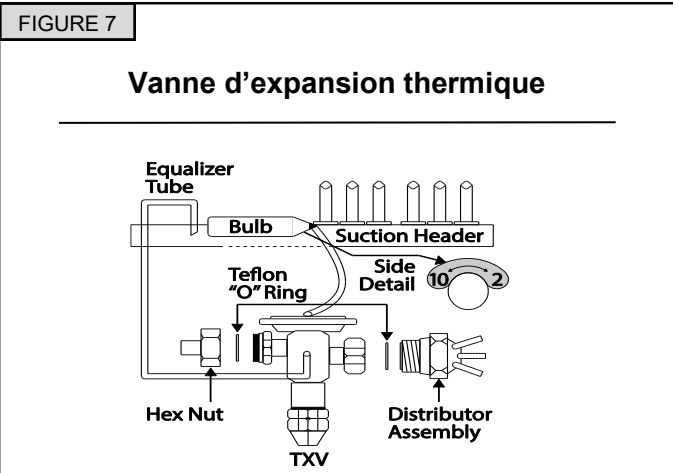
1. Verser plusieurs litres d'eau dans la cuvette de drainage, suffisamment pour remplir le purgeur et la conduite de drainage.
2. Vérifier que la cuvette de drainage s'écoule complètement, qu'aucune fuite n'est présente dans les raccords de la conduite de drainage et que l'eau s'écoule de l'extrémité de la cuvette de drainage primaire.
3. Corriger les fuites éventuelles.



DISPOSITIF DE PRÉLÈVEMENT

Vanne d'expansion thermique (TXV)

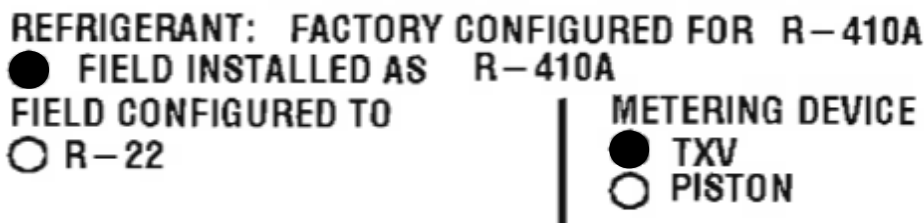
Certains modèles sont équipés d'un vanne d'expansion thermique installé en usine. Le bulbe de détection de la vanne doit être retiré pendant l'installation et refixé au collecteur (Fig. 7). Pour un rendement optimal, fixer et isoler le bulbe à 10 ou 2 heures à l'extérieur de l'enceinte sur la conduite d'aspiration principale, à moins d'un pied du raccord de la conduite d'aspiration. Au besoin, le bulbe peut être installé sur une conduite d'aspiration verticale. Dans ce cas, le bulbe doit être placé avant tout purgeur, le tube capillaire du bulbe orienté vers le haut.



Taille du piston				
Ton	R-22		R-410A	
	Taille du piston	N# de pièce	Taille du piston	N# de pièce
1	41	100000035	41	100000035
1,5	53	100000036	49	100000049
2	59	100000037	53	100000036
2,5	67	100000039	59	100000037
3	73	100000041	67	100000039
3,5	80	100000044	73	100000041
4	84	100000045	76	100000042
5	93	100000047	93	100000047

INSTALLATION DE L'ÉTIQUETTE

Repérer en permanence l'étiquette de série avec le réfrigérant et le dispositif de mesure A1 (R-410A et R-22) appropriés utilisés. Voir exemple ci-dessous.

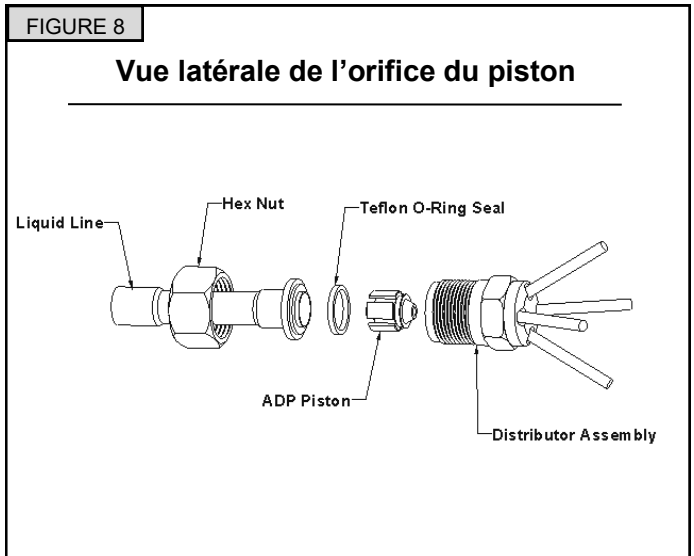


Pistons

Comme expédié en usine, le piston installé dans chaque serpentin est choisi pour la capacité nominale en BTUH du serpentin. Une étiquette sur la conduite de liquide indique la taille du piston. Pour un rendement optimal, le piston doit être dimensionné pour correspondre au BTUH nominal de l'unité de condensation.

Pour changer les pistons, suivre la procédure suivante :

1. Desserrer l'écrou hexagonal situé sur la conduite de liquide et le séparer de l'ensemble distributeur.
2. Retirer le piston existant de l'intérieur de l'ensemble distributeur
3. Insérer le piston désiré dans le distributeur.
4. Inspecter le joint torique et le remplacer s'il est endommagé. S'assurer que le joint est en place.
5. Réinstaller l'écrou hexagonal sur le corps et serrer à 10 pi-lb.



INSTALLATION DE LA CONDUITE DE RÉFRIGÉRANT

Les conduites de réfrigérant doivent être connectées par un technicien certifié par l'EPA conformément aux procédures établies.

IMPORTANT :

- Le raccordement des conduites de réfrigérant doit être effectué en cuivre propre, déshydraté et de qualité réfrigérante. Les serpentins du ventilateur-convecteur ne doivent être installés qu'avec les dimensions de conduite spécifiées pour les combinaisons de systèmes approuvées.
- Faire attention aux conduites de réfrigérant pendant l'installation. Des coudes coupants ou des plicatures dans les conduites peuvent entraîner une restriction.
- Ne pas retirer les capuchons des conduites ou des points de connexion du système. Les connexions de l'unité sont prêtes à être effectuées.

1. Acheminer les conduites d'aspiration et de liquide des raccords du serpentin intérieur aux raccords de l'unité extérieure. Faire passer les conduites dans un chemin direct, évitant ainsi les virages et les coudes inutiles.
2. S'assurer que la conduite d'aspiration est isolée sur toute la longueur exposée et que les conduites d'aspiration et de liquide ne sont pas en contact direct avec les sols, les murs, les gaines, les solives ou d'autres conduites.

3. Raccorder la conduite d'aspiration et la conduite de liquide au serpentin d'évaporateur.
4. Pour éviter d'endommager les œillets en caoutchouc de l'enceinte pendant le brasage, faire glisser les œillets en caoutchouc sur les conduites de réfrigérant jusqu'à ce qu'ils soient éloignés de la source de chaleur.
5. Braser avec un alliage d'argent ou de cuivre et de phosphore avec un point de fusion supérieur à 1100 °F.
REMARQUE : Ne pas utiliser de soudure douce.
6. Réinstaller les œillets en caoutchouc une fois le brasage terminé.
7. S'assurer que le climatiseur extérieur unité a été mis en place conformément aux instructions d'installation et est connecté aux conduites de réfrigérant.

ADP recommande d'installer un filtre déshydrateur et une vitre dans la conduite de liquide. Pendant le brasage, purger le système avec de l'azote pour éviter toute contamination. ADP recommande de rattacher et d'isoler le bulbe de détection TXV à 10 ou 2 heures sur la conduite d'aspiration, à l'extérieur du boîtier du serpentin, à moins d'un pied de la connexion. Évacuer le système à 500 microns pour assurer une évacuation correcte de l'air et de l'humidité (**Remarque :** Une évacuation profonde ou une triple évacuation est recommandée). Ouvrir lentement la vanne de service d'aspiration et laisser le réfrigérant s'écouler dans le système avant d'ouvrir la vanne de service de liquide.

INSTRUCTIONS DE CHARGEMENT DU RÉFRIGÉRANT

En mode Climatisation, la température extérieure doit être supérieure ou égale à 60 °F. Pour que les pressions se stabilisent, faire fonctionner le système pendant au moins 15 minutes entre les réglages. Lors du réglage de la charge des systèmes équipés de serpentins extérieurs à microcanaux, effectuer de petits ajustements (1 once ou moins) car ces systèmes sont très sensibles à la charge de réfrigérant.

Charge TXV^{2, 3, 4} – Utiliser la méthode de charge recommandée par les instructions de l'unité extérieure. ADP recommande également de charger à un sous-refroidissement de 12 °F pour les unités CA et à un sous-refroidissement de 10 °F pour les thermopompe. De plus, si la vanne est réglable, régler à 10 °F de surchauffe.

Charge à orifice fixe^{2, 3, 4} – Utiliser la surchauffe recommandée par les instructions de l'unité extérieure. Sinon, pour les installations avec réfrigérant A1 (R-410A et R-22), ADP recommande de charger sur le tableau de surchauffe ci-dessous.

Pour les thermopompe initialement chargées en mode Climatisation, les réglages finaux pour charger en mode Chauffage sont acceptables au besoin. Certaines thermopompe doivent être chargées en mode Chauffage. Dans ce cas, se reporter aux instructions extérieures pour les procédures de charge recommandées.

Si le système est sous-charge après la charge initiale, ajouter du réfrigérant jusqu'à ce que la vitre de vision soit dégagée et que les pressions, températures, sous-refroidissement et surchauffe recommandées puissent être obtenues. Si le système est

surchargé après la charge initiale, récupérer le réfrigérant jusqu'à ce que les pressions, températures, sous-refroidissement et surchauffe recommandées puissent être obtenues.

Remarques :

1. En cas de problème ou de question concernant les frais, contacter le service à la clientèle.
2. Les méthodes de charge des FEO varient en fonction de la conception et de l'application. Vérifier que toutes les pressions, températures, réglages de sous-refroidissement et de surchauffe recommandés produisent la charge correcte.
3. Les serpentins ADP peuvent nécessiter une compensation de charge en raison de la variation de taille par rapport au serpentin OEM.
4. Les températures sont de ± 2 °F, sauf recommandation contraire.

Temp. air extérieur (°F)	60	65	70	75	80	85	90	95	100	105	110	115
Surchauffe (°F)	31	28	25	22	20	16	13	10	8	6	5	5

CONNEXIONS DE LA TENSION D'ALIMENTATION

⚠ **AVERTISSEMENT** ⚠

Choc électrique

Couper l'alimentation électrique avant de procéder à l'entretien.

Remettre toutes les pièces et panneaux en place avant de les utiliser.

Mettre le ventilateur-convecteur à la terre.

Connecter le fil de terre à la borne de terre marquée.

Le non-respect de cette consigne peut entraîner la mort ou un choc électrique.

Danger d'explosion

Tenir les matériaux et vapeurs inflammables, comme l'essence, à l'écart de cette unité.

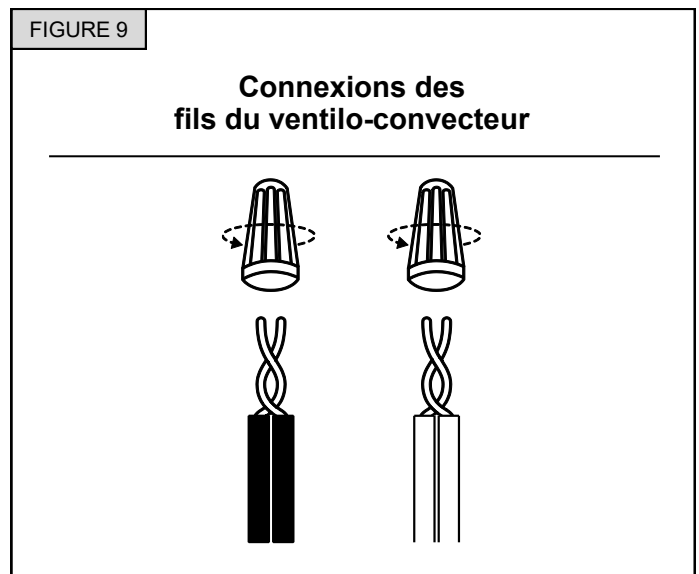
Placer cette unité de manière à ce que les éléments chauffants soient à au moins 18 po (46 cm) au-dessus du sol pour une isolation dans le garage.

Le non-respect de ces instructions peut entraîner la mort, une explosion ou un incendie.

1. Déconnecter toutes les sources d'alimentation.
2. Retirer le panneau d'accès au ventilateur-convecteur.
3. Acheminer les fils d'alimentation sur place jusqu'au boîtier de connexion électrique du ventilateur-convecteur.
4. À l'aide d'écrous homologués UL, connecter les fils d'alimentation sur place au ventilateur-convecteur; noir-noir et jaune-jaune (240 V) ou blanc-blanc (120 V), comme illustré à la Figure 8.
5. Connecter le fil de terre à la borne de terre portant la mention « GND ».
6. Remonter le panneau d'accès au ventilateur-convecteur.

Taille de l'unité (MBTUH)	Ensemble de chauffage électrique (kW)
12	5
18, 24	10
25	15
30	17.5
31	15
36, 37, 42, 48, 60	20

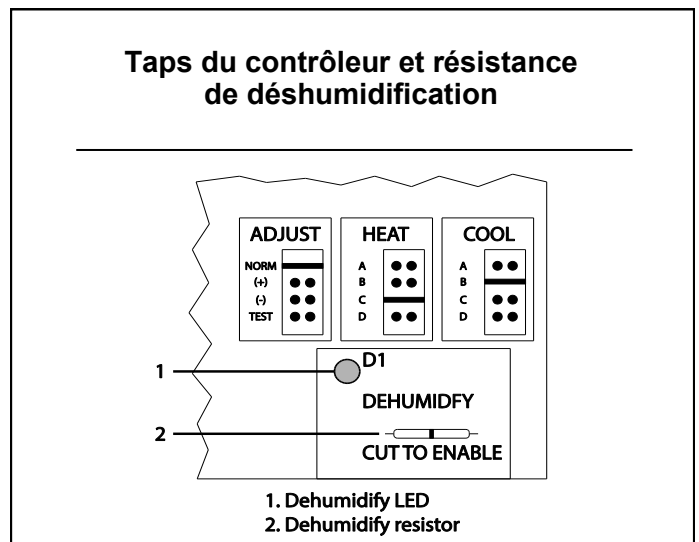
Tableau : Ensembles de chauffage électrique kW maximum pouvant être installés sur place pour leur taille respective de ventilateur-convecteur.



CONTRÔLEUR À VITESSE VARIABLE

Le panneau de commande du moteur qui permet la sélection comprend également des DEL qui affichent le mode de fonctionnement, le contrôle de l'humidité et le débit d'air. De plus, les signaux du thermostat pour le chauffage d'urgence (EM), aux, heat (W1), la vanne d'inversion (O), le stage 1 du compresseur (Y1), le stage 2 du compresseur (Y2) et le ventilateur (G) sont tous indiqués par des DEL allumées sur cette carte. Si un humidistat est utilisé, la DEL de déshumidification s'allume quand l'humidistat s'ouvre et que le moteur fonctionne à un débit d'air réduit. Le panneau de commande est également équipé d'une DEL CFM qui affiche le débit de fonctionnement. Cette DEL rouge clignote une fois par 100 pi3/min. Par exemple, si le débit de fonctionnement est de 1 200, la DEL du débit clignote 12 fois, puis s'arrête avant de répéter le schéma à 12 clignotements.

Remarque spéciale pour les unités équipées d'un humidistat : si un humidistat est utilisé, la résistance Déshumidification située en bas à droite du panneau de commande doit être retirée. La borne HUM sur la carte doit être connectée au contact Normalement fermé de l'humidistat afin que la carte détecte un circuit ouvert en cas d'humidité élevée.



INSTALLATION DU SERPENTIN D'EAU CHAUDE

Les ventilo-convecteurs hydroniques ADP (certifiés NSF 372) peuvent être utilisés avec des systèmes d'eau potable et sont expédiés avec ou sans pompes à circulation. Des ensembles sont également disponibles. Voir le dimensionnement des tuyaux et des pompes dans le guide technique et de spécification du ventilo-convecteur pour les unités avec des pompes extérieures.

Le dimensionnement correct du chauffage de l'eau doit tenir compte à la fois de la capacité en gallons ET de l'apport en BTU du chauffe-eau.

Pour déterminer la capacité en gallons du chauffe-eau :

Un chauffe-eau au gaz ou au mazout d'au moins 40 gallons à récupération élevée et/ou haute efficacité est recommandé. Le guide de dimensionnement du volume suivant est satisfaisant dans la plupart des régions.

1. Déterminer le volume

	Chauffe-eau
pi ³ /min	Exigences
600-800	40 gallons
1000-1200	40 gallons
1400-1600	Soit 2 - 40 gallons raccordés ensemble, 1 entrée élevée 50 gallons (entrée de 63 000 à 75 000 Btu/h) ou réservoir de 1 - 72 gallons (ou plus).
2000	Toute combinaison de chauffe-eaux raccordée à un débit total de 105 000 Btu/h.

2. Déterminer les exigences d'entrée BTU/HR du chauffe-eau

Supposons un rendement de récupération du chauffe-eau de 76 %

Entrée BTU/HR =

Climats doux : perte de chaleur de la structure X 1,51

Climats froids : perte de chaleur de la structure X 1,58

AVIS

En cas de connexion à un chauffe-eau sans réservoir, il peut être nécessaire de changer la pompe de circulation pour obtenir un débit correct. Voir les instructions du chauffe-eau pour plus de détails.

AVIS

Utiliser des tuyaux et des raccords en cuivre. D'autres matériaux compatibles pour les tuyaux et les raccords ne peuvent être utilisés que s'ils sont approuvés par les autorités de réglementation locales et s'ils sont installés conformément aux instructions d'installation et d'application du fabricant.

AVIS

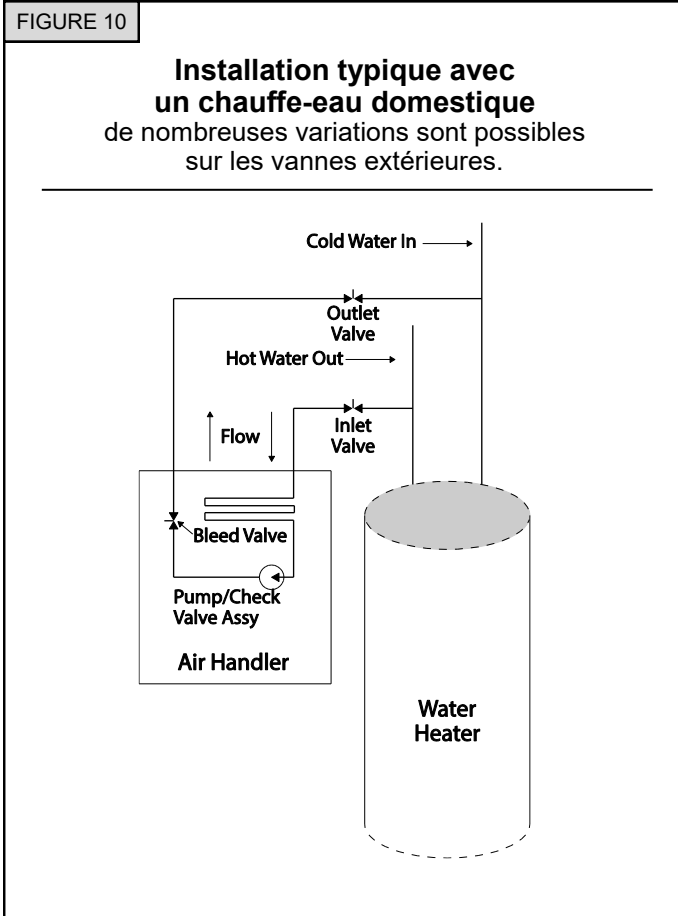
Les joints à souder des conduites d'eau domestiques doivent être fabriqués avec du SOUDEUR SANS PLOMB.

AVIS

L'État de la masse exige l'utilisation d'un minuteur sur les applications avec eau domestique pour faire circuler l'eau périodiquement pendant le cycle d'arrêt. Cette minuterie de la pompe est une fonction standard installée en usine sur tous les ventilo-convecteurs de la série B. Une distance maximale de 50 pieds entre le chauffe-eau et le ventilo-convecteur est également nécessaire.

AVIS

La protection antigel installée en usine sur tous les ventilo-convecteurs équipés de serpentins à eau chaude est conçue pour protéger le serpentin du gel. L'installateur doit protéger les conduites d'eau du gel dans les espaces non climatisés tels que les greniers, les vides sanitaires ou les structures qui peuvent être inoccupées pendant le gel. L'isolation des conduites ou l'utilisation d'une solution eau-glycol peut aider à éviter le gel des conduites.



RINÇAGE À L'EAU CHAUDE DU SERPENTIN

Le rinçage du serpentin d'eau chaude avant le démarrage est nécessaire pour retirer tout matériau résiduel des processus d'installation ou de fabrication, ainsi que tout air du système.

Une vanne de purge est installée de série sur tous les ventilo-convecteurs équipés de pompes de circulation installées en usine. Si une pompe de circulation extérieure est utilisée, utiliser une vanne de purge extérieure ou un autre mécanisme

pour rincer le serpentin d'eau chaude après l'installation. Prendre des précautions lors du rinçage du ventilo-convecteur pour empêcher le panneau de commande multifonction et les autres composants électriques de se mouiller. De l'eau chaude est préférable pour le rinçage.

Le rinçage est un processus en 3 étapes. Utiliser un seau ou un flexible pour éliminer l'eau de la vanne de purge pendant le rinçage (voir Figure 9).

Tout d'abord, rincer la conduite de retour en fermant la vanne d'entrée (alimentation) et en ouvrant la vanne de sortie (retour). Ouvrir la vanne de purge. Fermer la vanne de purge une fois le rinçage terminé.

Ensuite, rincer la conduite d'alimentation et le serpentin en fermant la vanne de sortie (retour) et en ouvrant la vanne d'entrée (alimentation). Ouvrir la vanne de purge. Fermer la vanne de purge une fois le rinçage terminé.

Troisièmement, mettre le ventilo-convecteur sous tension. Ouvrir les vannes d'entrée et de sortie. Engager la pompe et ouvrir la vanne de purge. Vérifier que le sens de circulation est correct; l'entrée doit devenir chaude avant la sortie. Fermer la vanne de purge une fois le rinçage terminé.

Faire fonctionner la pompe pendant 5 minutes immédiatement après le rinçage du système pour purger l'air restant de la chambre des paliers de la pompe.

ATTENTION

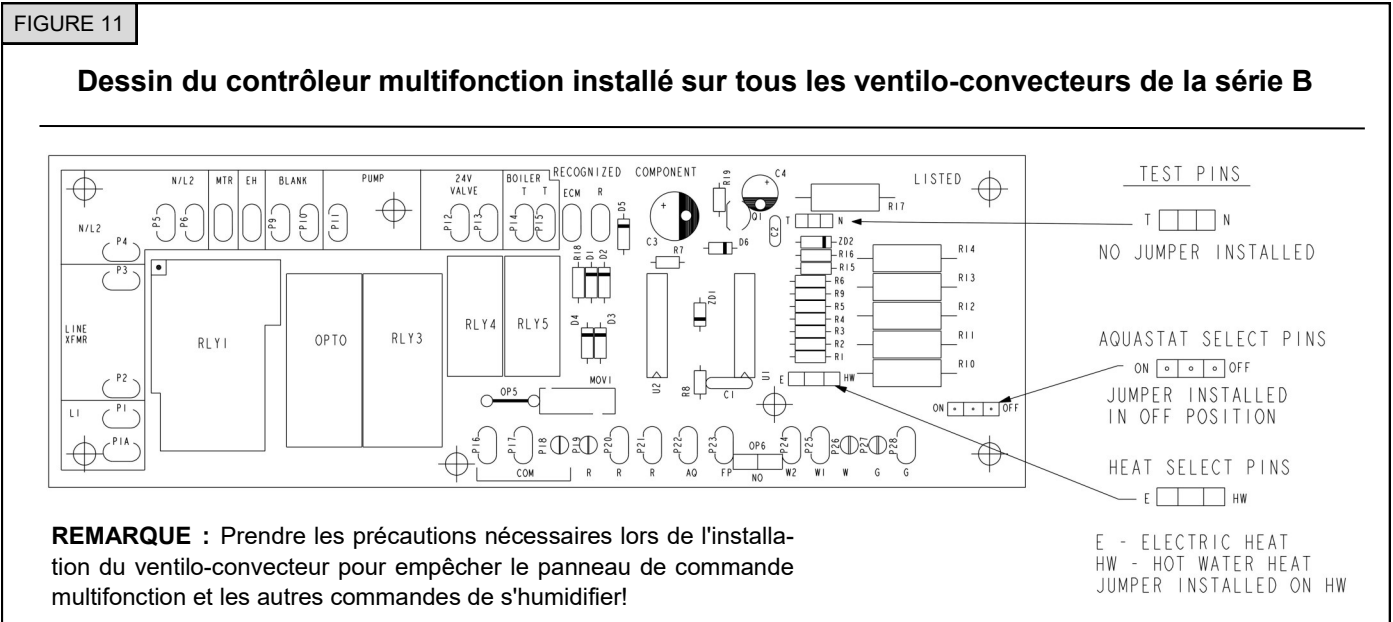
Ne pas engager la pompe avant la fin de la procédure de rinçage. Faire fonctionner la pompe à sec pour l'endommager.

ATTENTION

Suivre les exigences du fabricant pour tout rinçage ou nettoyage supplémentaire nécessaire du serpentin et de la canalisation en cas d'utilisation d'une canalisation sans cuivre.

SÉQUENCE DE FONCTIONNEMENT

Le circuit de l'interrupteur de sécurité de la porte du ventilateur doit être terminé pour que toutes les séquences de fonctionnement aient lieu.



Climatisation

Quand le thermostat demande la climatisation, le circuit entre R et G est terminé et le **relais du ventilateur** est mis sous tension. Les contacts Normalement ouverts se ferment, ce qui fait fonctionner le moteur du ventilateur intérieur. Le circuit entre R et Y est également terminé; ce circuit ferme le contacteur du moteur du ventilateur extérieur. Le circuit R et O ou R et B met la vanne d'inversion sous tension, le mettant en position de refroidissement (en fonction de l'unité extérieure). Le ventilateur du ventilo-convecteur s'arrête 45 secondes après que le thermostat a arrêté de demander le refroidissement.

Chauffage (chauffage électrique uniquement)

Quand le thermostat demande du chauffage, le circuit entre R et W est terminé et le séquenceur de l'aérotherme est mis

sous tension. Un délai est nécessaire avant que les éléments de chauffage et le moteur du ventilateur intérieur ne démarrent. Les unités équipées d'un deuxième séquenceur de chaleur peuvent être connectées avec le premier séquenceur à W sur la base secondaire du thermostat ou à une deuxième étape sur la base secondaire. Le ventilateur du ventilo-convecteur s'arrête 30 secondes après que le thermostat a arrêté de demander le chauffage.

Chauffage (thermopompe avec chauffage électrique)

Quand le thermostat demande du chauffage, les circuits entre R et Y et R et G sont terminés. Circuit R-Y met le contacteur sous tension pour démarrer le moteur du ventilateur extérieur et le compresseur. Les circuits R et G mettent le relais du ventilateur sous tension en démarrant le moteur du ventilateur intérieur. Les

SÉQUENCE DE FONCTIONNEMENT

circuits R et O ou R et B mettent la vanne d'inversion sous tension, le mettant en position de chauffage (en fonction de l'unité extérieure). Si la température de la pièce continue à chuter, le circuit entre R et W1 est complété par le thermostat de la pièce de chauffage de deuxième stage. Le circuit R-W1 met sous tension un séquenceur de chaleur. Le circuit terminé met sous tension le chauffage électrique supplémentaire (le cas échéant). Les unités équipées d'un deuxième séquenceur de chauffage peuvent être connectées au premier séquenceur à W1 sur le thermostat ou à un deuxième stage de chauffage W2 sur la base du thermostat. Le ventilateur du ventilo-convecteur s'arrête 30 secondes après que le thermostat a arrêté de demander le chauffage.

Chauffage d'urgence (thermopompe avec chauffage électrique)

Si le sélecteur du thermostat est réglé sur la position de chauffage d'urgence, la thermopompe est verrouillée hors du circuit de chauffage et tout le chauffage est un chauffage électrique (le cas échéant). Un cavalier doit être placé entre W2 et E sur la base du thermostat pour que le contrôleur de chauffage électrique passe au chauffage de premier stage du thermostat. Ceci permet au ventilateur intérieur de se mettre en marche et de s'arrêter avec le chauffage électrique quand l'interrupteur du ventilateur est en position AUTO.

Chauffage (chauffage à l'eau chaude uniquement)

Quand le thermostat demande de la chaleur, le circuit entre R et W est terminé, ce qui active la pompe de circulation d'eau chaude. Si une pompe de circulation installée sur place est utilisée, le panneau de commande peut toujours être câblé directement à la pompe ou à une vanne d'isolation fournissant de l'eau chaude au ventilo-convecteur à l'aide du contacteur à relais 24V du panneau de commande. Un relais de commutation sec similaire de 24 V étiqueté TT peut être utilisé pour activer une vanne de chaudière ou de chauffe-eau. Une fois le circuit entre R et W terminé

Unités équipées d'aquastats installés en usine - La température de l'eau à l'intérieur du serpentin d'eau chaude doit atteindre 130 deg. F avant que le circuit entre R et G ne soit terminé pour activer le moteur du ventilateur intérieur. Pour désactiver un aquastat installé en usine, il suffit de déplacer la broche du sélecteur sur le panneau de commande multifonction (voir schéma ci-dessus) de la position Marche à la position Arrêt.

Unités sans Aquastats installés en usine ou Aquastats désactivés - Un délai de 60 secondes suit avant que le circuit entre R et G ne soit terminé pour activer le moteur du ventilateur intérieur.

Le ventilateur du ventilo-convecteur s'arrête 30 secondes après que le thermostat a arrêté de demander le chauffage.

Chauffage (thermopompe avec eau chaude)

Quand le thermostat demande du chauffage, les circuits entre R et Y et R et G sont terminés. Circuit R-Y met le contacteur sous tension

pour démarrer le moteur du ventilateur extérieur et le compresseur. Les circuits R et G mettent le relais du ventilateur sous tension en démarrant le moteur du ventilateur intérieur. Le circuit R et O ou R et B met la vanne d'inversion sous tension, le mettant en position de refroidissement (en fonction de l'unité extérieure). Si la température de la pièce continue à chuter, le thermostat de la pièce de chauffage de deuxième stage termine le circuit entre R et W. Si une pompe de circulation installée sur place est utilisée, le panneau de commande peut toujours être câblé directement à la pompe ou à une vanne d'isolation fournissant de l'eau chaude au ventilo-convecteur à l'aide du contacteur à relais 24V du panneau de commande. Un relais de commutation sec similaire de 24 V étiqueté TT peut être utilisé pour activer une vanne de chaudière ou de chauffe-eau. Une fois le circuit entre R et W terminé

Unités équipées d'aquastats installés en usine - La température de l'eau à l'intérieur du serpentin d'eau chaude doit atteindre 130 deg. F avant que le circuit entre R et G ne soit terminé pour activer le moteur du ventilateur intérieur. Pour désactiver un aquastat installé en usine, il suffit de déplacer la broche du sélecteur sur le panneau de commande multifonction (voir schéma ci-dessus) de la position Marche à la position Arrêt.

Unités sans Aquastats installés en usine ou Aquastats désactivés — un délai de 60 secondes s'écoule avant que le circuit entre R et G n'active le moteur du ventilateur intérieur.

Le ventilateur du ventilo-convecteur s'arrête 45 secondes après que le thermostat a arrêté de demander le chauffage.

Protection contre le gel (chauffage à l'eau chaude)

Si la température de l'eau à l'intérieur du serpentin d'eau chaude tombe en dessous de 40 °F, le circuit entre R et W est terminé, ce qui active la pompe de circulation d'eau chaude, la pompe de circulation extérieure ou la vanne d'isolation. Une fois que la température de l'eau dépasse 70 °F, le circuit entre R et W est ouvert et l'eau chaude arrête de circuler dans le serpentin d'eau chaude.

Pour empêcher la protection contre le gel d'activer la pompe de circulation d'eau en mode Climatisation, déplacer le thermostat de congélation à l'extrême gauche ou à l'extrême droite du serpentin d'eau et isoler avec du ruban adhésif en mousse.

Minuterie de la pompe (chauffage à l'eau chaude)

L'État du Massachusetts exige l'utilisation d'un minuteur sur les applications avec eau domestique pour faire circuler l'eau périodiquement pendant le cycle d'arrêt. Cette minuterie de la pompe est une fonction standard installée en usine sur tous les ventilo-convecteurs de la série B. La minuterie de la pompe active la pompe de circulation ou la vanne d'isolation pendant une minute toutes les six heures en complétant le circuit entre R et W. La minuterie de la pompe est ignorée pendant que le compresseur extérieur fonctionne.

ENTRETIEN DU VENTILO-CONVECTEUR

Au début de chaque saison de chauffage, l'unité doit être entretenue par un installateur ou une société d'entretien qualifié.

ASSISTANCE OU SERVICE

Si vous avez besoin d'aide, vous pouvez nous contacter à cette adresse pour toute question ou préoccupation. Veuillez indiquer un numéro de téléphone de jour dans votre correspondance.

Advanced Distributor Products
1995 Air Industrial Park Road, Grenade, MS 38901
www.adpnow.com

VÉRIFICATIONS DU VENTILO-CONVECTEUR

Vérifier le fonctionnement du ventilateur

1. Mettre le thermostat sur FAN ON.
2. Le ventilateur intérieur doit s'allumer.

Vérifier le chauffage de l'eau chaude (si utilisé)

1. Régler le thermostat pour demander le chauffage auxiliaire (environ 5 °F au-dessus de la température ambiante). Le ventilateur intérieur et le chauffage auxiliaire doivent s'allumer ensemble.
2. Régler le thermostat de manière à ce qu'il ne demande pas de chauffage.

Vérifier le débit d'air

Vitesse du ventilateur de climatisation :

- Pour un fonctionnement correct, le débit d'air traversant le serpentin intérieur doit être compris entre 350 et 450 pi³/min par tonne de puissance de climatisation (350 - 450 pi³/min par 12 000 BTU/h) en fonction de la puissance de l'unité extérieure.
- La vitesse de ventilateur de climatisation est configurée en usine pour fournir un débit d'air correct pour une unité extérieure qui correspond à la puissance de refroidissement maximale du ventilo-convecteur.
- Si l'unité extérieure est inférieure à la puissance de refroidissement maximale du ventilo-convecteur, il peut être nécessaire de modifier la vitesse de ventilateur de climatisation. Voir le « Tableau de rendement du ventilateur ».

IMPORTANT : La vitesse de ventilateur de climatisation doit être réglée pour fournir un débit d'air minimum de 350 pi³/min par tonne (12 000 BTU/h) de capacité de climatisation extérieure.

Pour modifier la vitesse du ventilateur du moteur 3-Speed : (Voir « Schéma de câblage – Moteur 3-Speed. »)

Les vitesses de climatisation et de chauffage sont les mêmes qu'en usine. Dans certains cas, il peut être nécessaire de modifier la vitesse de climatisation ou de chauffage. Pour ce faire, suivre la procédure suivante :

1. Déconnecter toutes les sources d'alimentation.
2. Retirer le panneau d'accès au ventilo-convecteur.
3. Localiser le fil du moteur entre le moteur du ventilateur et la prise du moteur panneau de commande.
4. Retirer le fil du moteur du panneau de commande et le remplacer par le fil de vitesse du moteur de P9 ou P10 dans la zone vierge du panneau.
5. Remplacer tous les panneaux.
6. Rebrancher l'alimentation électrique.

GARANTIE LIMITÉE DU VENTILO-CONVECTEUR ADP

Durée de la garantie

Advanced Distributor Products (ADP) garantit que les produits vendus seront de qualité marchande, exempts de défauts de matière et de main-d'œuvre, dans des conditions d'utilisation et d'entretien normales, pendant une période de cinq (5) ans à compter de la date d'installation, **sans** dépasser six (6) ans à compter de la date de fabrication, sous réserve des conditions de la garantie limitée d'ADP.

Pour en savoir plus sur la garantie de ce produit, y compris pour accéder aux conditions de garantie complètes, pour vous inscrire à une garantie prolongée* ou pour obtenir des instructions sur le dépôt d'une réclamation au titre de la garantie, rendez-vous sur www.ADPwarranty.com.

* Dans les États ou provinces où les exigences d'enregistrement sont interdites, le fait de ne pas terminer l'enregistrement par le consommateur ne réduit pas ses droits à la garantie.

Information sur l'équipement

Veillez écrire les renseignements demandés ci-dessous et conserver la présente garantie dans vos dossiers, pour consultation future.

Numéro de modèle de l'unité : _____

Numéro de série : _____

Installation du sous-traitant : _____

Date d'installation : _____

Téléphone : _____

