



## Installation Instructions

# Evaporator Coils HE, HH, HD, V Series

TABLE OF CONTENTS	PAGE
General .....	5
Location and Clearances .....	5
Vertical .....	6
Horizontal .....	6
Multi-Position .....	7
Suspended Coil Detail .....	9
Condensate Drain .....	10
Coil Cleaning .....	10
Label Installation .....	10
Metering Device .....	11
Refrigerant Line Installation .....	11
Flammable Refrigerant Detection .....	12
Refrigerant Charging instructions .....	12
Refrigerant Recovery .....	13
Maintenance and repair Instructions .....	13
Warranty .....	14
Installation Check List .....	14



## Evaporator Coil Safety

### SAFETY CONSIDERATIONS

Your safety and the safety of others are very important.

We have provided many important safety messages in this manual and on your appliance. Always read and obey all safety messages.



This is the safety alert symbol.

This symbol alerts you to potential hazards that can kill or hurt you and others.

All safety messages will follow the safety alert symbol and signal word. These signals words mean the following:

**DANGER:** You can be **killed or seriously injured** if you don't immediately follow instructions.

**WARNING:** Indicate a potentially hazardous situation which, if not avoided, could result in **death or serious injury**.

**CAUTION:** Indicates a potentially hazardous situation which, if not avoided, may result in **minor or moderate injury**. Caution may also be used to alert against unsafe practices.

**NOTICE:** Indicates a statement of company policy as the message relates directly or indirectly to the safety of personnel or protection of property.

**IMPORTANT:** More detailed information concerning the statement of company policy as the message relates directly or indirectly to the safety of personnel or protection of property.



## CAUTION



This appliance is not intended for use by persons (including children) with reduced physical, sensory or mental capabilities, or lack of experience and knowledge, unless they have been given supervision or instruction concerning use of the appliance by a person responsible for their safety. Children should be supervised to ensure that they do not play with the appliance.



Product improvement is a continuous process at Advanced Distributor Products. Therefore, product specifications are subject to change without notice and without obligation on our part. Please contact your ADP representative or distributor to verify details.

© 2025 by Advanced Distributor Products. All rights reserved.

# Evaporator Coil Safety

**IMPORTANT**

This unit is a PARTIAL UNIT AIR CONDITIONER, complying with PARTIAL UNIT requirements of this Standard, and must only be connected to other units that have been confirmed as complying to corresponding PARTIAL UNIT requirements of this Standard, UL 60335-2-40/CSA C22.2 No. 60335-2-40, or UL 1995/CSA C22.2 No 236.

**IMPORTANT**

The Clean Air Act of 1990 bans the intentional venting of refrigerant (CFC's and HFC's). Approved methods of reclaiming must be followed. Fines and/or incarceration may be levied for non-compliance.

**IMPORTANT**

This unit is a PARTIAL UNIT, it shall only be connected to an appliance using the same refrigerant as listed in the name plate of this unit.

**NOTICE**

Leak detection system Installed. Unit must be powered except for service

**CAUTION**

Some soaps used for leak detection are corrosive to certain metals. Carefully rinse the piping thoroughly after leak test has been completed. Do not use matches, candles, flame or other sources of ignition to check for gas leaks.

**IMPORTANT**

In addition to conventional charging procedures, the following requirements shall be followed.

1. Ensure that contamination of different refrigerants does not occur when using charging equipment. Hoses or lines shall be as short as possible to minimize the amount of refrigerant contained in them.
2. Cylinders shall be kept in an appropriate position according to the instructions.
3. Ensure that the REFRIGERATION SYSTEM is earthed before charging the system with refrigerant.
4. Label the system when charging is complete
5. Extreme care shall be taken not to overfill the REFRIGERATION SYSTEM. Prior to recharging the system, it shall be pressure-tested with appropriate purging gas. The system shall be leak-tested on completion of charging but prior to commissioning. A follow-up leak test shall be carried out prior to leaving the site.

**CAUTION**

Any service personnel installing, decommissioning, or performing maintenance on the unit must be properly trained with A2L refrigerants

**NOTICE**

Sealed electrical components shall be replaced, not repaired.

**NOTICE**

Intrinsically safe components shall be replaced, not repaired.

THIS UNIT REQUIRES SERVICE EQUIPMENT COMPATIBLE WITH R-454B REFRIGERANT

**R-454B**

REFRIGERANT SAFETY GROUP A2L

67684001

THIS UNIT REQUIRES SERVICE EQUIPMENT COMPATIBLE WITH R-32 REFRIGERANT

**R-32**

REFRIGERANT SAFETY GROUP A2L

67684101

**WARNING**

Do not use means to accelerate the defrosting process or to clean other than those recommended by the manufacturer. The appliance shall be stored in a room without continuously operating ignition sources (for example: open flames, an operating gas appliance or an operating electric heater. Do not pierce or burn. Be aware that refrigerants may not contain an odor.

**CAUTION**

Equipment shall be labeled stating that it has been decommissioned and emptied of refrigerant. The label shall be dated and signed. For appliances containing flammable refrigerants, ensure that there are labels on the equipment stating the equipment contains flammable refrigerant.

**NOTICE**

Ensure that the cabling is not subject to wear, corrosion, excessive pressure, vibration, sharp edges or any other adverse environmental effects.



**NOTICE**

This unit incorporates an earth connection for functional purposes only.

# Evaporator Coil Safety

 **IMPORTANT** 



Work shall be undertaken under a controlled procedure so as to minimize the risk of a flammable gas or vapor being present while the work is being performed.

 **NOTICE** 



All maintenance staff and others should avoid working in confined spaces.

 **IMPORTANT** 



The area shall be checked with an appropriate refrigerant detector prior to and during work, to ensure the technician is aware of potentially toxic or flammable atmospheres. Ensure that the leak detection equipment being used is suitable for use with all applicable refrigerants, i.e. non-sparking, adequately sealed or intrinsically safe.

 **IMPORTANT** 



If any hot work is to be conducted on the refrigerating equipment or any associated parts, appropriate fire extinguishing equipment shall be available to hand. Have a dry powder or CO2 fire extinguisher adjacent to the charging area.

 **CAUTION** 

No person carrying out work in relation to a refrigerating system which involves exposing any pipe work shall use any sources of ignition in such a manner that it may lead to the risk of fire or explosion. All possible ignition sources, including cigarette smoking, should be kept sufficiently far away from the site of installation, repairing, removing and disposal, during which refrigerant can possibly be released to the surrounding space. Prior to work taking place, the area around the equipment is to be surveyed to make sure that there are no flammable hazards or ignition risks. "No Smoking" signs shall be displayed.



 **IMPORTANT** 

Ensure that the area is in the open or that it is adequately ventilated before breaking into the system or conducting any hot work. A degree of ventilation shall continue during the period that the work is carried out.



 **IMPORTANT** 

Where electrical components are being changed, they shall be fit for the purpose and to the correct specification. At all times the manufacturer's maintenance and service guidelines shall be followed. If in doubt, consult the manufacturer's technical department for assistance. The following checks shall be applied to installations using FLAMMABLE REFRIGERANTS as applicable.

1. The actual refrigerant charge is in accordance with the room size within which the refrigerant containing parts are installed.
2. The ventilation machinery and outlets are operating adequately and are not obstructed.
3. If an indirect refrigerating circuit is being used, the secondary circuit shall be checked for the presence of refrigerant.
4. Markings to the equipment continues to be visible and legible. Markings and signs that are illegible shall be corrected
5. Refrigerating pipe or components are installed in a position where they are unlikely to be exposed to any substance which may corrode refrigerant containing components, unless the components are constructed of materials which are inherently resistant to being corroded or are suitably protected against being so corroded.

 **CAUTION** 

Repair and maintenance to electrical components shall include initial safety checks and component inspection procedures such as that capacitors are discharged in a safe manner to avoid possibility of sparking, that no live electrical components and wiring are exposed while charging, recovering, or purging the system, and that there is continuity of earth bonding. If a fault exists that could compromise safety, then no electrical supply shall be connected to the circuit until it is satisfactorily dealt with. If the fault cannot be corrected immediately but it is necessary to continue operation, an adequate temporary solution shall be used that is reported to the owner of the equipment, so all parties are advised.

 **IMPORTANT** 

Improper installation, adjustment, alteration, service or maintenance can cause property damage, personal injury or loss of life. Installation and service must be performed by a licensed professional HVAC installer or equivalent, service agency, or the gas supplier.

# Evaporator Coil Safety

**WARNING**

Auxiliary devices which may be a potential ignition source shall not be installed in the duct work. Examples of such potential ignition sources are hot surfaces with a temperature exceeding 700°C and electric switching devices.

**NOTICE**

All maintenance staff and others working in the local area shall be instructed on the nature of work being carried out with work in confined spaces being avoided.

**WARNING**

For appliances using A2L refrigerants connected via an air duct system to one or more rooms, only auxiliary devices approved by the appliance manufacturer or declared suitable with the refrigerant shall be installed in connecting ductwork.

**WARNING**

For duct connected appliances, false ceilings or drop ceilings may be used as a return air plenum if a REFRIGERANT DETECTION SYSTEM is provided in the appliance and any external connections are also provided with a sensor immediately below the return air plenum duct joint.

**WARNING**

If this appliance is conditioning a space with an area smaller than the  $TA_{min}$  as defined by instructions, then that space must be without continuously operating open flames (e.g. an operating gas appliance) or other potential ignition sources (e.g. an operating electric heater or similar hot surface). A flame producing device may be installed in the same space if the device is provided with an effective flame arrest system.

**WARNING**

It is the installers responsibility to ensure that the  $Q_{min}$  air flow rate requirement presented on  $TA_{min}$ ,  $Q_{min}$  table is met when pairing ADP coils with OEM equipment.

Evaporator coils using A2L refrigerants (R-454B & R-32) installed at building site ground level altitude, must comply with a minimum conditioned area requirements are show below.

TA <sub>min</sub> Table							
R-454B/ R-32 Refrigerant Charge (lbs)	3	5	10	15	20	25	30
R-454B/ R-32 Refrigerant Charge (kg)	1.4	2.3	4.5	6.8	9.1	11.3	13.6
MINIMUM CONDITIONED AREA ( ft <sup>2</sup> )	45	75	150	225	300	375	450
MINIMUM CONDITIONED AREA ( m <sup>2</sup> )	4.2	7.0	13.9	20.9	27.9	34.8	41.8
MINIMUM AIR FLOW RATE Q <sub>min</sub> ( m <sup>3</sup> /Hr )	138	230	460	689	919	1149	1379
MINIMUM AIR FLOW RATE Q <sub>min</sub> ( CFM )	81	135	270	406	541	676	811

Minimum conditioned area requirements must be adjusted by multiplying with the altitude adjustment factor (AF) for installation at higher altitudes (H<sub>alt</sub>). Tables shown below lists the AF values for different altitudes in meters.

ALTITUDE ADJUSTMENT FACTOR													
H <sub>alt</sub> ( METERS )	0 - 600	800	1000	1200	1400	1600	1800	2000	2200	2400	2600	3000	3200
AF	1.00	1.02	1.05	1.07	1.10	1.12	1.15	1.18	1.21	1.25	1.28	1.36	1.40

## GENERAL

ADP evaporator coils are designed for use with AC condensing units or heat pump units. These instructions are intended as a general guide and do not supersede local codes in any way. Consult with local authorities having jurisdiction before installation. **Read this installation manual and all safety messages prior to installing the evaporator coil.**

Check coil for shipping damage and verify the contents of the box containing the evaporator coil. If you should find damage, immediately contact the last carrier. Verify the efficiency performance requirements, such as SEER2, EER2, and/or HSPF2, are appropriate with the matched condensing or heat pump units. Check outdoor unit manufacturer for proper line sizing. **Coils are shipped with a 10 psi dry air holding charge. Puncture rubber plug on suction line to release charge before removing plugs.** The absence of pressure does not verify a leak. Check the coil for leaks before installing or returning it to your wholesaler.

Position the coil on the outlet of the furnace using sheet metal screws. In horizontal installations, the coil should be pitched approximately 1/2" toward the drain connections. **NOTE:** Sloping over 5/8" may cause blow off into the auxiliary drain hole in high static situations. Drain pans are made of a polymer that can withstand temperatures up to 450°F. **Maintain a 3" clearance on oil or drum type heat exchangers and 1½" on sectionalized heat exchangers. See Specification Guide for recommended downflow applications.** Refer to Specification Guide for limitations.



**If installing the coil in a system using A2L refrigerants, DO NOT BRAZE ANY LINE SETS** without reviewing ADP's Refrigerant Detection System Kit Installation manual for specific requirements on primary and secondary joints within the installed spaces.

NOTICE	
<p>Pipe-work including piping material, pipe routing, and installation shall include protection from physical damage in operation and service, and be in compliance with national and local codes and standards, such as ASHRAE 15, ASHRAE 15.2, IAPMO Uniform Mechanical Code, ICC International Mechanical Code, or CSA B52. All field joints shall be accessible for inspection prior to being covered or enclosed.</p>	

NOTICE	
<p>After completion of field piping for split systems, the field pipe-work shall be pressure tested with an inert gas to a minimum of 450 psig and then vacuum tested prior to refrigerant charging.</p>	

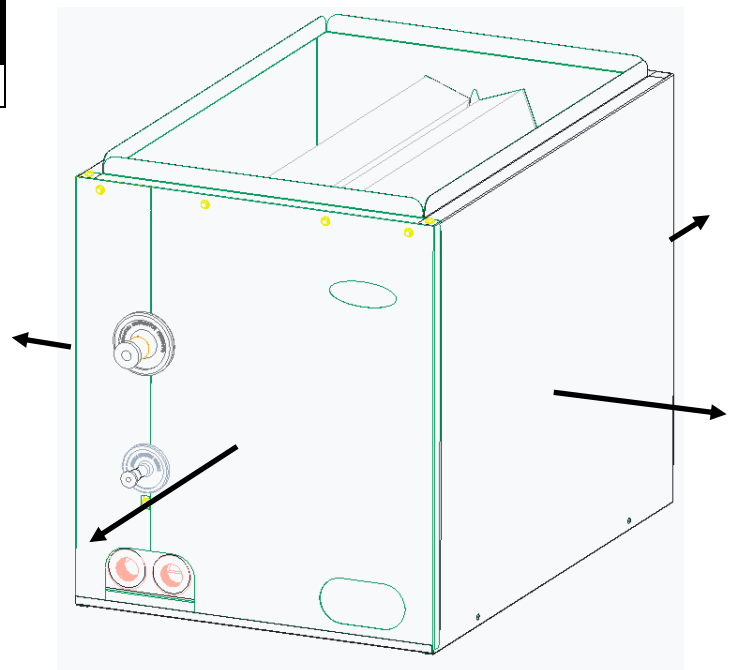
NOTICE	
<p>Field-made refrigerant joints indoors shall be tightness tested. The test method shall have a sensitivity of 5 grams per year of refrigerant or better under a pressure of at least 0.25 times the maximum allowable pressure. No leak shall be detected.</p>	

## LOCATION AND CLEARANCE REQUIREMENTS

NOTICE	
<p>Maximum altitude of application is 3200 m above sea level.</p>	

MIN ENCLOSURE SIZE FOR UNCASED COILS			
	Front	Side	Back
DIM FROM DRAIN PAN	0.5"	0.5"	0.5"

SERVICE CLEARANCES			
	Front	Side	Back
CLEARANCES	6"	0"	0"



## VERTICAL

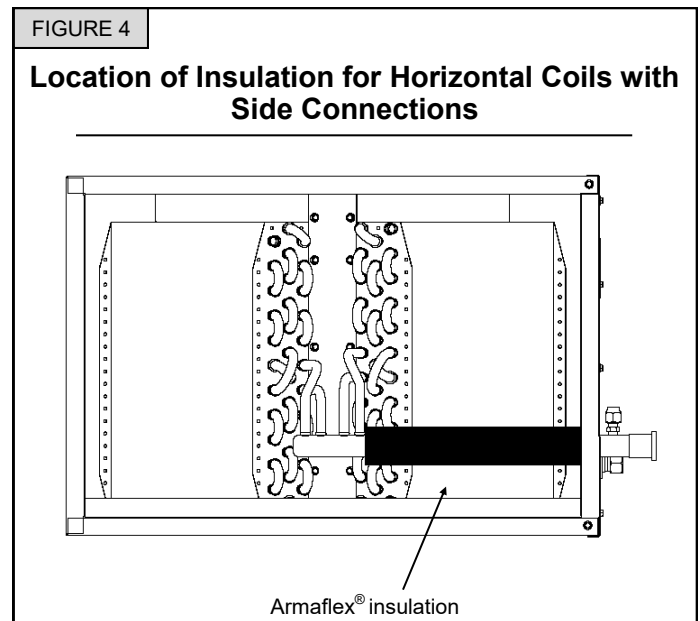
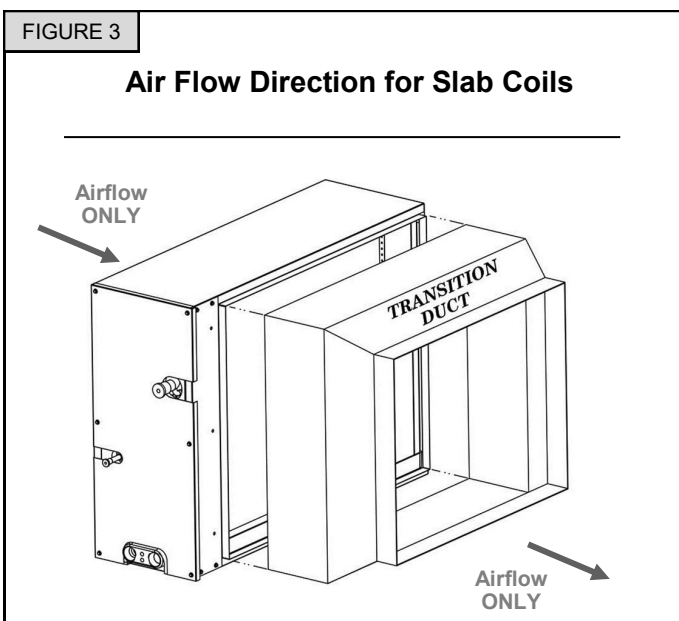
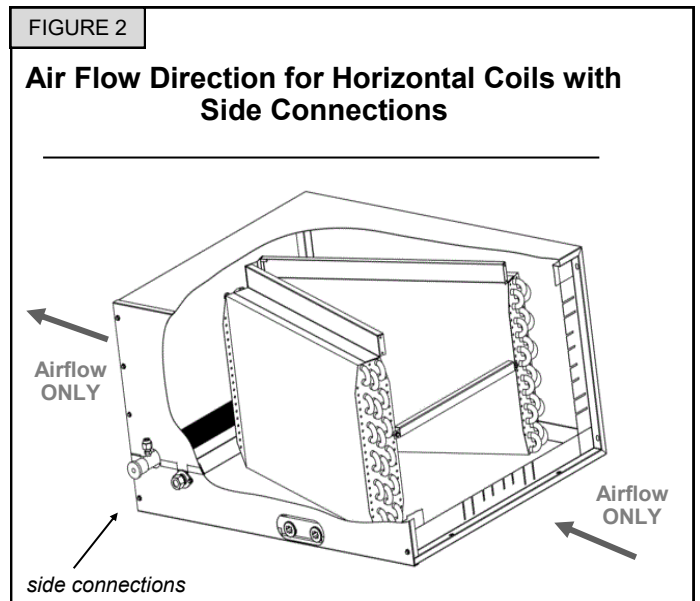
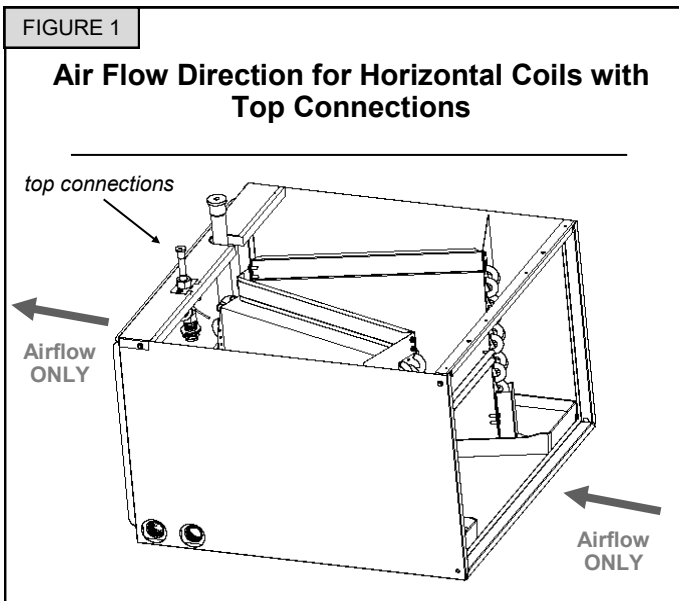
Vertical A-Coils are designed for upflow and downflow applications. Vertical drain pans have drain connections on the right and left front side of the evaporator coil. Refer to Specification Guide for limitations. In downflow applications, aluminum foil tape must be applied to seal the top edge of the

insulation to the cabinet. This tape will prevent the possibility of the insulation delaminating and blocking airflow. **See Specification Guide for recommended downflow applications.**

## DEDICATED HORIZONTAL

Dedicated horizontal A-Coils and Slab Coils are designed for horizontal applications only. Horizontal A-Coils 17.5" and taller include furnace plate adaptors to facilitate proper fit with furnaces of different widths. **Splash guard installation is not required on horizontal coils.**

- Proper performance for **Horizontal A-Coils with top connections** requires that the air flows out through the side of coil where the top connections are located (Figure 1).
- **Horizontal A-Coils with side connections** (Figure 2). Shown below with panels cut-away for clarity.
- **Slab Coils** Require a transition duct to complete installation (Figure 3).
- For **horizontal A-Coils with side connections**, the suction line section inside the cabinet should be insulated with Armaflex® insulation (Figure 4).



## MULTI-POSITION

Multi-Position A-Coils come factory installed with a vertical and horizontal drain pans and can be configured for upflow, downflow, horizontal blow-through or horizontal pull-through installations. In the center opening of vertical drain pan, a metal Inlet Air Restrictor is factory installed and is required for horizontal applications. It may be removed for vertical applications. **See Specification Guide for recommended downflow applications.**

For horizontal configurations, install splash guard (included) onto the coil outlet, and extend suction line insulation into the coil cabinet by 2" to prevent moisture from dripping onto the insulation (the rubber grommet may need to be moved). Splash guard installation is not required for vertical configurations. Bottom flange of guard should rest on pan and sides screwed to the duct flanges. See page 4, Figures 6 and 7 for splash guard instructions.

In downflow and counter flow configurations, aluminum foil tape must be applied to seal the top edge of the insulation to the cabinet. This tape will prevent the possibility of the insulation delaminating and blocking airflow. In horizontal pull-through and counter flow configurations, a minimum 12" transition is required in front of the coil as shown in Figure 5. This is required to ensure proper airflow distribution and to reduce pressure drop.

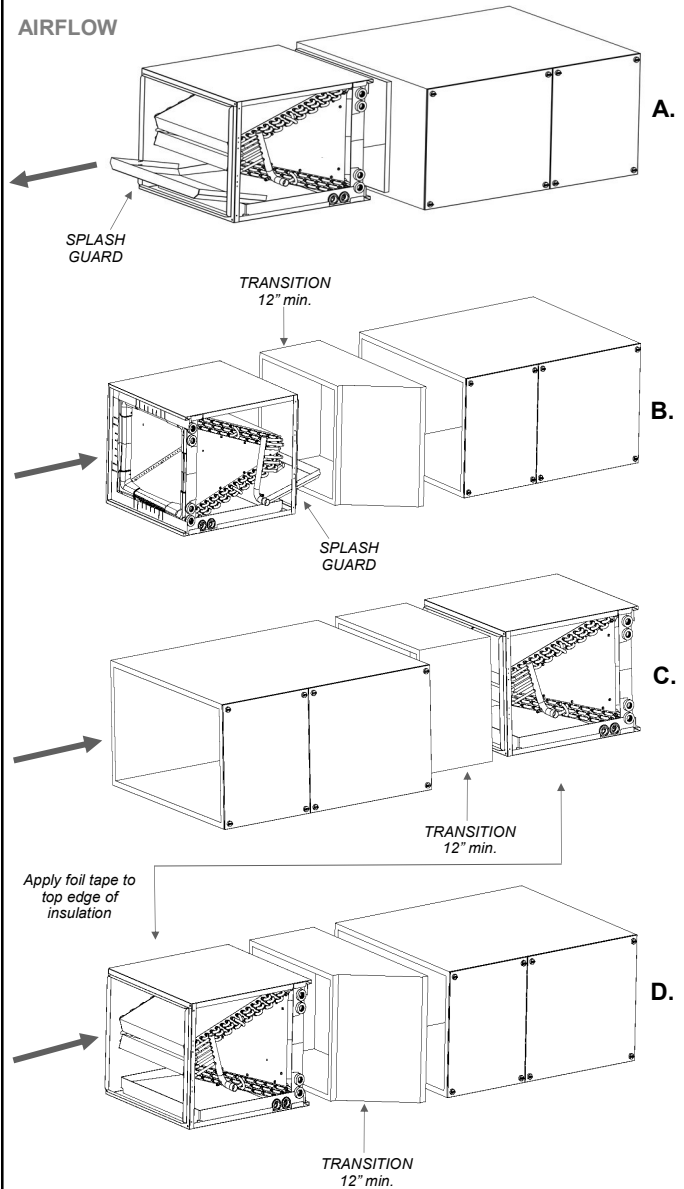
Coils that are 20" or less in height and are installed in a cabinet with a height of 25-1/2" or greater do not require a transition; all other coil models require this transition. Coil should be level, or pitched slightly toward the drain connection. It is recommended to add silicone caulk between drain pans to prevent water carryover. **Note: Multi-Position A-Coils are also field convertible from left-to-right or right-to-left; see page 5 for instructions on field conversion for horizontal airflow.**

### Additional pre-startup checklist for Multi-Position A-Coils:

- Install splash guard (Figure 5 configurations A and B)
- Install 12" transition as shown (non-standard horizontal applications / Figure 5 configurations B and C)
- Factory installed Inlet Air Restrictor should be present in the center opening of the drain pan (horizontal applications)
- Factory installed internal water diverter should be in place (Figure 8, item 5)
- Extend suction line insulation into cabinet (counter flow)
- Tape top edge of insulation (counter flow)

FIGURE 5

### Multi-Position Configurations



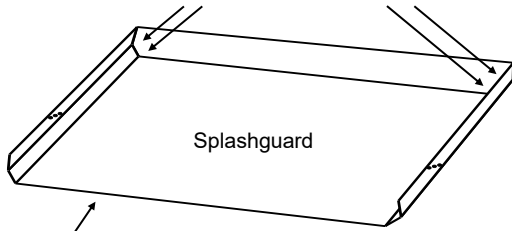
- A. **Standard Horizontal Application**  
Left hand shown / Right hand similar (*not shown*)  
LOWEST STATIC CONFIGURATION  
See Spec Guide for additional data
- B. **Pull-Through**  
Right hand shown / Left hand similar (*not shown*)
- C. **Blow-Through (counter flow)**  
Left hand shown / Right hand similar (*not shown*)
- D. **Pull-Through (counter flow)**  
Left hand shown / Right hand similar (*not shown*)

# MULTI-POSITION (splash guard)

FIGURE 6

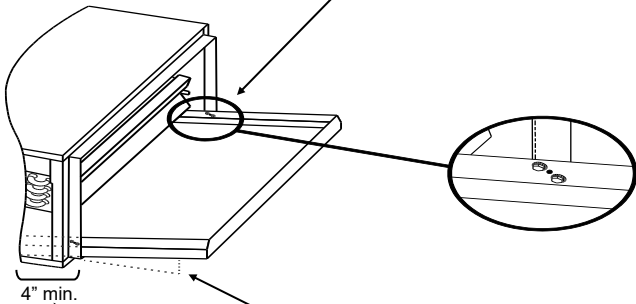
## Splashguard without Front Slope

Seal splashguard seams with silicone or other sealant.



Open end of splashguard should rest on the horizontal drain pan.

Fasten splash guard to duct flanges with (4) sheet metal screws. (2) on each side. Screws can be installed from the inside or outside.



4" min.

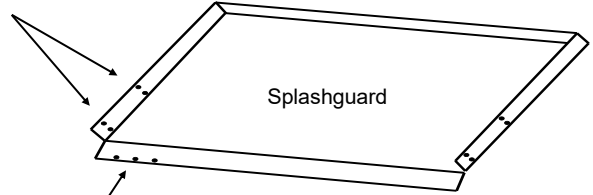
Angle splashguard to ensure proper water drainage back into horizontal drain pan.

Splashguard should overlap the horizontal drain pan by at least 4".

FIGURE 7

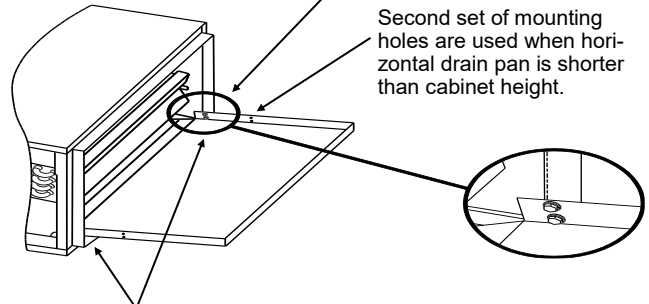
## Splashguard with Front Slope

Holes used to mount splashguard to duct flanges.



**Caution:** These holes are for manufacturing purposes only. **DO NOT** use for installation!

First set of mounting holes are used when horizontal drain pan is flush with housing.

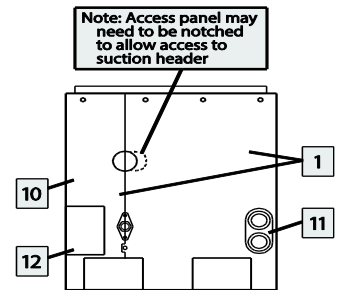
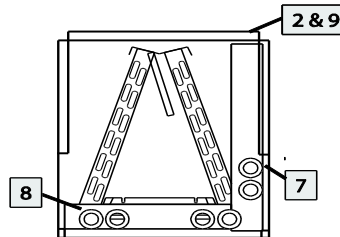
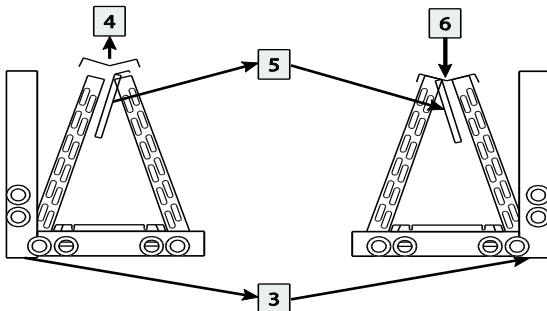


Second set of mounting holes are used when horizontal drain pan is shorter than cabinet height.

Fasten splash guard to duct flanges with (4) sheet metal screws. (2) on each side. Screws can be installed from the inside or outside.

FIGURE 8

## Multi-Position Field Conversion





## MULTI-POSITION (field conversion)

### Field Conversion Instructions from Left-to-Right or Right-to-Left Airflow

**Note:** This applies only to models available in multi-position; see Specification Guide for details; typical horizontal left-to-right conversion is shown.

#### **FOR EACH STEP, REFER TO FIGURE 8:**

1. Remove front panels.
2. Remove the top tie bar and pull the coil assembly from the housing.
3. Remove the horizontal drain pan, and re-install it to the opposite side of the coil (**Note:** horizontal drain pan must have drain plugs tightly closed in the rear of the unit).
4. Remove the top plate.
5. Remove the water diverter, and re-install it to the opposite slab (**Note:** If water diverter is attached by screws, remove screws, and bend tab straight or cut tab off).
6. Replace the top plate, and apply sealant to seal any air gaps.
7. Before re-inserting the coil assembly, cut the front flange on the housing and fold it back to allow access to the horizontal drain connections (**Note:** Copy the factory cut-out on the opposite side of the housing).
8. Slide the coil assembly back into the housing (**Note:** If unit is equipped with a sheet metal spacer, it must be moved to the opposite side of the housing).
9. Re-install the top tie bar.
10. Re-install the piping panel to the housing.
11. Cut a hole in the access panel to allow access to the horizontal drain connections, and re-install the access panel to the housing (**Note:** Access panel may need to be notched to allow access to suction header).
12. Seal unused condensate drain connection cutout holes in the front panel to prevent air leakage.

## SUSPENDED COIL DETAIL



#### **Suspended cabinet installation:**

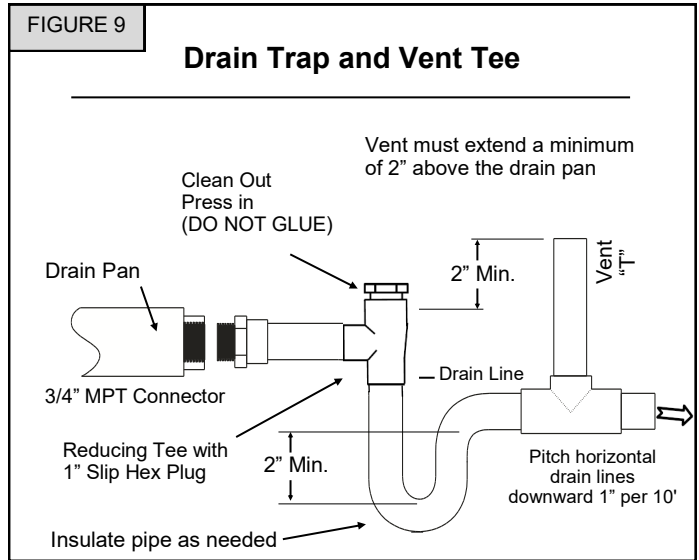
The suspending means must be field fabricated and should consist of a minimum of two "cradles" positioned at a distance symmetrically away from the centerline of the coil and design structure adequate to support the weight of the coil under operating condition. Example: Cradles may be made by attaching two 3/8" all thread rods to a length of 1-5/8" x 7/8" unistrut rods or equivalent. Adequate space must be provided in front of the coil panels for its removal and cradles should not interfere with panel removal, drain connections or refrigerant connections. Cradles should be at a minimum of 2" away from the edges of the coil.

## CONDENSATE DRAIN

Coils are equipped with multiple drain connections. Determine the drain connections to be used and note the difference between the primary (green) and secondary (red) openings. Drain plugs are provided for all openings; remove and discard the appropriate plugs with ½" drive ratchet and verify that remaining plugs are tight (2.5 ft-lbs). Attach drain line to pan with ¾" male pipe thread PVC fittings. Hand tight is adequate – **do not over tighten & do not reduce drain line size!**

Route drain(s) line so they will not be exposed to freezing temperatures and do not interfere with accessibility to the coil, air handling system or filter. The drain should be pitched downward 1" per 10' with a 2" trap as close to the coil as possible. If line makes a second trap, or has an extended run before termination, a vent tee should be installed after the trap closest to the pan. See Figure 9.

If the coil is located in or above a living space where damage may result from condensate overflow, a separate ¾" drain must be provided from the secondary drain connection. Run this drain to a place in compliance with local installation codes where it will be noticed when unit is operational. Condensate flowing from the secondary drain indicates a plugged primary drain. Prime the trap with water. Test line for leaks. Test water



flow with unit in operation. An auxiliary drain pan should be installed under the unit, and have a larger footprint than the coil, as specified by most local building codes.

## COIL CLEANING

The coils should be inspected and preferably cleaned a minimum of once a year or more often, if necessary. Cleaning of the indoor unit's coil should be performed by a licensed professional service technician (or equivalent).

1. Put on personal protective equipment – Safety glasses and/or face shield, waterproof clothing and gloves.
2. Vacuum or brush the coil to remove any matted or surface foreign debris from the fins (dirt, animal hair, etc).
3. Only clean potable water should be used to clean the coils. Clean coil slab surfaces by spraying steady and uniformly at a vertical angle of 30 to 45 degrees with a constant stream of water at moderate pressure (**less than 50 psig**) from top to bottom. A fan nozzle will work best. Do not spray the coil from a horizontal direction.

4. Use of acidic (below 5) or alkaline (above 9) cleaners can strip off factory protective coatings and reduce the life of an aluminum coil.
5. Alkaline (also called no-acid) coil cleaners are products that has a pH greater than 7. Acid coil cleaners are products that have a pH less than 7.

**Note:** Attempting to back flush from the inside of the coil will require removing parts from the unit, and it may be very difficult to flush the whole coil surface. Attempting to blow water through a coil will slow the water stream and reduce the *lushing action of the outer fin surface*.

## LABEL INSTALLATION

Permanently mark the serial label with the appropriate A2L (R-454B & R-32)refrigerant & metering device used. See example below.

**REFRIGERANT: FACTORY CONFIGURED FOR R-454B**

● **FIELD INSTALLED AS R-454B**

○ **FIELD CONFIGURED TO**

○ **R-32**

**METERING DEVICE**

● **TXV**

○ **PISTON**

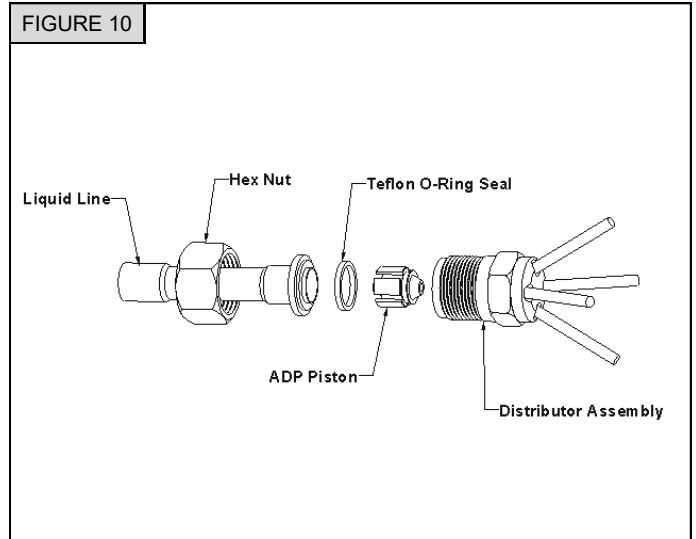
## METERING DEVICE

Coils are suited for R-454B,R-32 with Refrigerant Detection System Kit. Refrigerants can be used with a piston or a TXV. See kit instructions for change out or installation. ADP recommends placing a wet rag around the suction line at the cabinet during brazing to prevent overheating and damaging the sensing bulb.

For optimum performance, reattach and insulate the bulb at a 10 to 2 o'clock position outside of the cabinet to the main suction line no more than one foot from the suction line connection. If necessary, the bulb can be installed on a vertical suction line. In this instance, the bulb must be placed before any trap, with the bulb's capillary tube facing upward. When changing a system from AC to heat pump or heat pump to AC, check the current TXV specifications to determine if a TXV replacement is required. **If the evaporator coil contains a non-bleed TXV and is used with a condensing unit containing a reciprocating compressor, a hard start kit will be required on the condensing unit.**

Cased coils with a piston metering device are shipped with a cap and hex nut over the threaded fitting. Remove the cap and nut slowly, allowing charge to escape, and secure the liquid line stub (attached to cabinet) to the distributor assembly with hex nut. Discard cap.

For optimum performance, the piston should be sized to match the recommendation from the outdoor unit manufacturer. If the outdoor unit manufacturer does not recommend a piston size, refer to the piston size chart. When changing pistons, refer to Figure 10 and use the following procedure:



**Side View of Piston Orifice**

1. Loosen hex nut located on liquid line and separate from distributor assembly.
2. Remove the existing piston from inside the distributor assembly.
3. Insert the desired piston into the distributor assembly.
4. Inspect Teflon O-Ring and replace if damaged. Ensure Teflon O-Ring is in place.
5. Re-install hex nut to body and torque to 10 ft-lbs.

⚠ **IMPORTANT** ⚠

When changing the metering device, ensure the metering device matches the refrigerant type and capacity of the condensing unit. Failure to do so will result in poor performance and possible compressor damage. All coils must be matched properly as listed in the AHRI directory.

## REFRIGERANT LINE INSTALLATION



**DO NOT BRAZE ANY LINE SETS** without reviewing ADP's Refrigerant Detection System Kit Installation manual for specific requirements on primary and secondary joints within the installed spaces.

⚠ **IMPORTANT** ⚠

Evaporator primary line set joints in all applications shall have a refrigerant sleeve.

⚠ **IMPORTANT** ⚠

Evaporator primary line set joints should not have secondary joints.

If secondary joints are present, they shall be at least 2 feet away from the primary line set joints And comply with one of the option below.

## REFRIGERANT LINE INSTALLATION CONT.

---

ADP recommends installing a filter drier and sight glass in the liquid line. While brazing, purge the system with Nitrogen to prevent contamination. For A2L refrigerant (R-454B & R-32), ADP recommends reattaching and insulating the TXV sensing bulb at a 10 to 2 o'clock position on the suction line, inside the coil housing. Evacuate the system to 500 microns to ensure proper air and moisture removal (**Note: Deep evacuation or triple evacuation method recommended**). Open the suction service valve slowly and allow the refrigerant to bleed into the system before opening the liquid service valve.

## FLAMMABLE REFRIGERANT DETECTION

---

Under no circumstances shall potential sources of ignition be used in the searching for or detection of refrigerant leaks.

A halide torch (or any other detector using a naked flame) shall not be used.

The following leak detection methods are deemed acceptable for all refrigerant systems.

Electronic leak detectors may be used to detect refrigerant leaks but, in the case of FLAMMABLE REFRIGERANTS, the sensitivity may not be adequate, or may need re-calibration. (Detection equipment shall be calibrated in a refrigerant-free area.) Ensure that the detector is not a potential source of ignition and is suitable for the refrigerant used. Leak detection equipment shall be set at a percentage of the LFL of the refrigerant and shall be calibrated to the refrigerant employed, and the appropriate percentage of gas (25 % maximum) is confirmed.

Leak detection fluids are also suitable for use with most refrigerants but the use of detergents containing chlorine shall be avoided as the chlorine may react with the refrigerant and corrode the copper pipe-work.

NOTE: Examples of leak detection fluids are

- bubble method,
- fluorescent method agents.

If a leak is suspected, all naked flames shall be removed/ extinguished.

If a leakage of refrigerant is found which requires brazing, all of the refrigerant shall be recovered from the system, or isolated (by means of shut off valves) in a part of the system remote from the leak. Removal of refrigerant shall be according to removal and evacuation procedure

## REFRIGERANT CHARGING INSTRUCTIONS <sup>1</sup>

---

When charging in cooling mode, the outdoor temperature should be 60°F or higher. To allow the pressures to stabilize, operate the system a minimum of 15 minutes between adjustments. When adjusting charge to systems with micro-channel outdoor coils, make small (1 ounce or less) adjustments as these systems are very sensitive to refrigerant charge.

**TXV Charging<sup>2,3,4</sup>** – Use the charging method recommended by the outdoor unit instructions. Alternatively, ADP recommends charging to 12°F sub-cooling for AC units and 10°F sub-cooling for heat pump units. In addition, if equipped with an adjustable valve, adjust to 10°F superheat.

**Fixed Orifice Charging<sup>2,3,4</sup>** – For refrigerant installation use the superheat recommended by the outdoor unit instructions.

For heat pump units initially charged in the cooling mode, final adjustments to charge in the heating mode are acceptable if necessary. Some heat pump units require charging in the heating mode. In this case, refer to the outdoor instructions for recommended charging procedures.

If the system is undercharged after the initial charge, add refrigerant until the sight glass is clear and recommended pressures, temperatures, sub-cooling and superheat can be obtained. If the system is overcharged after the initial charge, recover refrigerant until recommended pressures, temperatures, sub-cooling and superheat can be obtained.

### Notes:

1. If any problems or questions regarding charge occur, contact customer service.
2. OEM charging methods vary depending on design and application. Verify all recommended pressures, temperatures, sub-cooling and superheat settings result in the proper charge.
3. ADP coils may require charge compensation due to size variation versus the OEM coil.
4. Temperatures are  $\pm 2^\circ\text{F}$  unless otherwise recommended.

## **REFRIGERANT RECOVERY**

---

Before carrying out work on systems containing refrigerant, it is essential that the technician is completely familiar with the equipment and all its detail. It is recommended good practice that all refrigerants are recovered safely. Prior to the task being carried out, an oil and refrigerant sample shall be taken in case analysis is required prior to re-use of recovered refrigerant. It is essential that electrical power is available before the task is commenced. Steps to ensure this are: becoming familiar with the equipment and its operation, isolating the system electrically, ensuring that before attempting the procedure that mechanical handling equipment is available, if required, for handling refrigerant cylinders, and that all personal protective equipment is available and being used correctly while the recovery process is supervised at all times by a competent person and that the recovery equipment and cylinders conform to the appropriate standards.

Additionally, pump down refrigerant system, if possible, and if a vacuum is not possible, make a manifold so that refrigerant can be removed from various parts of the system. Make sure that cylinders are situated on the scales before recovery takes place. Start the recovery machine and operate in accordance with instructions. Do not overfill cylinders (no more than 80 % volume liquid charge). Do not exceed the maximum working pressure of the cylinder, even temporarily. When the cylinders have been filled correctly and the process completed, make sure that the cylinders and the equipment are removed from site promptly and all isolation valves on the equipment are closed off. Recovered refrigerant shall not be charged into another refrigerating system unless it has been cleaned and checked.

When removing refrigerant from a system, either for servicing or decommissioning, it is recommended good practice that all refrigerants are removed safely. When transferring refrigerant into cylinders, ensure that only appropriate refrigerant recovery cylinders are employed. Ensure that the correct number of cylinders for holding the total system charge is available. All cylinders to be used are designated for the recovered refrigerant and labelled for that refrigerant (i.e. special cylinders for the recovery of refrigerant). Cylinders shall be complete with pressure-relief valve and associated shut-off valves in good working order. Empty recovery cylinders are evacuated and, if possible, cooled before recovery occurs.

The recovery equipment shall be in good working order with a set of instructions concerning the equipment that is at hand and shall be suitable for the recovery of the flammable refrigerant. If in doubt, the manufacturer should be consulted. In addition, a set of calibrated weighing scales shall be available and in good working order. Hoses shall be complete with leak-free disconnect couplings and in good condition.

The recovered refrigerant shall be processed according to local legislation in the correct recovery cylinder, and the relevant waste transfer note arranged. Do not mix refrigerants in recovery units and especially not in cylinders.

If compressors or compressor oils are to be removed, ensure that they have been evacuated to an acceptable level to make certain that flammable refrigerant does not remain within the lubricant. The compressor body shall not be heated by an open flame or other ignition sources to accelerate this process. When oil is drained from a system, it shall be carried out safely.

## **MAINTENANCE AND REPAIR INSTRUCTIONS**

---

When breaking into the refrigerant circuit to make repairs – or for any other purpose – conventional procedures shall be used. However, for flammable refrigerants it is important that best practice be followed, since flammability is a consideration. Safely remove refrigerant following local and national regulations.

The refrigerant charge shall be recovered into the correct recovery cylinders if venting is not allowed by local and national codes. For appliances containing flammable refrigerants, the system shall be purged with oxygen-free nitrogen to render the appliance safe for flammable refrigerants. This process might need to be repeated several times. Compressed air or oxygen shall not be used for purging refrigerant systems.

For appliances containing flammable refrigerants, refrigerants purging shall be achieved by breaking the vacuum in the system with oxygen-free nitrogen and continuing to fill until the working pressure is achieved, then venting to atmosphere, and finally pulling down to a vacuum (optional for A2L). This process shall be repeated until no refrigerant is within the system (optional for A2L). When the final oxygen-free nitrogen charge is used, the system shall be vented down to atmospheric pressure to enable work to take place. Ensure that the outlet for the vacuum pump is not close to any potential ignition sources and that ventilation is available.

# ADP LIMITED WARRANTY

## Term of Warranty

Advanced Distributor Products (ADP) warrants that products sold shall be of merchantable quality, free of defects in material and workmanship, under normal use and service, for a period of five (5) years from the date of installation, **not** to exceed six (6) years from the date of manufacture subject to the terms of ADP's limited warranty.

For information on this product's warranty, including accessing complete warranty terms, registering for an extended warranty\* or instructions on filing a warranty claim, please go to [www.ADPwarranty.com](http://www.ADPwarranty.com).

\* *In such states or provinces where registration requirements are prohibited, failure to complete registration by the consumer does not diminish his or her warranty rights.*

## Equipment Information

Please complete information below and retain this warranty for records and future reference.

Unit Model Number: \_\_\_\_\_

Serial Number: \_\_\_\_\_

Installing Contractor: \_\_\_\_\_

Installation Date: \_\_\_\_\_

Phone: \_\_\_\_\_



## INSTALLATION CHECKLIST

### Downflow

- See coil label for max ft/min
- Tape top edge of insulation

### Metering Device:

- Verify and/or install correct TXV or piston

### TXV Installation Only:

- Place TXV bulb at 10 to 2 o'clock position
- Insulate bulb
- Connect equalizer line

### Drains:

- If over a finished space, install secondary drain pan

### Air Path:

- Cover any unused knockouts

### Charging:

- Charge per charging instructions

### A2L Installations (Refer to ADP's Refrigerant Detection Kit IOM):

- Marking of appropriate refrigerant and metering device on nameplate.
- Apply appropriate warning labels for A2L installations.
- Confirm installation of RDS and mitigation sleeves for furnace-coil Applications.



## Instructions d'installation

# Évaporateurs Séries HE, HH, HD, V

TABLE DES MATIÈRES	PAGE
Généralités .....	5
Emplacement et dégagements .....	5
Vertical .....	6
Horizontal.....	6
Multi-positions.....	7
Détail d'un serpentin suspendu .....	9
Drain de condensat.....	10
Dispositif de mesure .....	10
Installation de l'étiquette .....	10
Nettoyage du serpentin.....	11
Installation des conduites de réfrigérant .....	11
Détection de réfrigérant inflammable .....	12
Instructions pour la charge de réfrigérant .....	12
Récupération du réfrigérant .....	13
Entretien et réparations .....	13
Garantie .....	14
Liste de vérification d'installation .....	14



## Sécurité relative à l'évaporateur

### CONSIDÉRATIONS DE SÉCURITÉ

Votre sécurité et celle des autres sont très importantes.

De nombreux messages de sécurité importants sont présents dans ce manuel et sur votre appareil. Lisez et respectez toujours tous les messages de sécurité.



Ce symbole représente une alerte de sécurité.

Il vous avertit de la présence de dangers potentiels qui peuvent vous tuer ou vous blesser, vous ou d'autres personnes.

Tous les messages de sécurité sont précédés du symbole d'alerte de sécurité et d'un mot indicateur. Les mots indicateurs ont les significations suivantes :

**DANGER** : Vous pouvez être tué ou gravement blessé si vous ne suivez pas immédiatement les instructions.

**AVERTISSEMENT** : Indique une situation potentiellement dangereuse qui, si elle n'est pas évitée, pourrait entraîner la mort ou une blessure grave.

**ATTENTION** : Indique une situation potentiellement dangereuse qui, si elle n'est pas évitée, peut entraîner une blessure mineure ou modérée. « Attention » peut également être utilisé pour alerter contre des pratiques dangereuses.

**AVIS** : Indique une déclaration de politique de l'entreprise, le message concernant directement ou indirectement la sécurité du personnel ou la protection des biens.

**IMPORTANT** : Informations plus détaillées sur la déclaration de politique de l'entreprise, le message concernant directement ou indirectement la sécurité du personnel ou la protection des biens.



## ATTENTION



Cet appareil n'est pas destiné à être utilisé par des personnes (y compris des enfants) ayant des capacités physiques, sensorielles ou mentales réduites, ou ne disposant pas de l'expérience et des connaissances nécessaires, sauf si elles sont supervisées ou formées à l'utilisation de l'appareil par une personne responsable de leur sécurité. Les enfants doivent être surveillés pour s'assurer qu'ils ne jouent pas avec l'appareil.



L'amélioration des produits est un processus continu chez Advanced Distributor Products. Par conséquent, les spécifications des produits sont sujettes à modification sans préavis et sans obligation de notre part. Veuillez contacter votre représentant ou distributeur ADP pour vérifier les détails.

© 2025 par Advanced Distributor Products. Tous droits réservés.

## Sécurité relative à l'évaporateur



### AVIS



Cette unité, est un CLIMATISEUR PARTIEL, conforme aux exigences DES UNITÉS PARTIELLES de la présente norme; elle ne doit être raccordée qu'à d'autres unités qui ont été confirmées comme conformes aux exigences DES UNITÉS PARTIELLES correspondantes de la présente norme, UL 60335-2-40/CSA C22.2 No. 60335-2-40 ou UL 1995/CSA C22.2 No. 236.



### IMPORTANT



La loi sur la lutte contre la pollution atmosphérique (Clean Air Act) de 1990 interdit la mise à l'air volontaire de réfrigérant (CFC et HFC). Des méthodes de récupération approuvées doivent être utilisées. Toute violation peut entraîner une amende et/ou une peine d'emprisonnement.



### IMPORTANT



Cette unité est une UNITÉ PARTIELLE; elle ne doit être connectée qu'à un appareil utilisant le même réfrigérant que celui indiqué sur la plaque signalétique de cette unité.



### AVIS



Système de détection de fuites installé. L'unité doit être alimentée sauf pour le service.



### IMPORTANT



En plus des procédures de chargement conventionnelles, les exigences suivantes doivent être respectées.

1. Assurez-vous que l'équipement de charge n'a pas été contaminé par des réfrigérants différents. Les flexibles et les conduites doivent être aussi courts que possible pour minimiser la quantité de réfrigérant qu'ils contiennent.
2. Les bouteilles doivent être maintenues en position correcte conformément aux instructions.
3. Assurez-vous que le SYSTÈME DE RÉFRIGÉRATION est mis à la terre avant de charger le système de réfrigérant.
4. Étiquetez le système lorsque la charge est terminée.
5. Faites extrêmement attention de ne pas trop remplir le SYSTÈME DE RÉFRIGÉRATION. Avant de recharger le système, il faut le soumettre à un essai sous pression avec le gaz de purge approprié. Le système doit être soumis à un essai d'étanchéité après la charge, mais avant sa mise en service. Un essai d'étanchéité en fonctionnement doit être effectué avant de quitter le site.



### ATTENTION



Certains savons utilisés pour la détection des fuites ont un effet corrosif sur certains métaux. Rincez soigneusement la canalisation une fois la recherche de fuites terminée. N'utilisez pas d'allumette, de bougie, de flamme ou d'autre source d'allumage pour localiser les fuites de gaz.



### ATTENTION



Tout le personnel qui installe, retire du service ou entretient l'unité doit être correctement formé aux réfrigérants A2L.



### AVIS



Les composants électriques scellés doivent être remplacés et non réparés.



### AVIS



Les composants à sécurité intrinsèque doivent être remplacés et non réparés.



### AVERTISSEMENT



N'utilisez pas de moyens autres que ceux recommandés par le fabricant pour accélérer le processus de dégivrage ou de nettoyage. L'appareil doit être entreposé dans un local sans source d'inflammation continue (flamme nue, appareil à gaz en fonctionnement, chauffage électrique en fonctionnement, etc.). Ne pas percer ou brûler. Remarque : les réfrigérants peuvent être inodores.



### IMPORTANT



Une installation, un réglage, une modification, une maintenance et/ou un entretien incorrects peuvent entraîner des dommages matériels ou des blessures graves, voire mortelles. L'installation et l'entretien doivent être assurés par un installateur de CVCA professionnel certifié (ou l'équivalent), une société de service ou le fournisseur du gaz.



## Sécurité relative à l'évaporateur



### IMPORTANT



Les travaux doivent être entrepris selon une procédure contrôlée afin de minimiser le risque de présence d'un gaz ou d'une vapeur inflammable pendant l'exécution des travaux.



### AVIS



Tout le personnel de maintenance et les autres personnes doivent éviter de travailler dans des espaces confinés.



### IMPORTANT



La zone doit être vérifiée à l'aide d'un détecteur de réfrigérant approprié avant et pendant le travail, afin de s'assurer que le technicien est conscient des atmosphères potentiellement toxiques ou inflammables. S'assurer que l'équipement de détection des fuites utilisé est adapté à tous les réfrigérants applicables, c'est-à-dire ne produisant pas d'étincelles, hermétiquement scellé ou intrinsèquement sécuritaire.



### IMPORTANT



Si un travail à chaud doit être effectué sur l'équipement frigorifique ou sur toute pièce associée, un équipement d'extinction d'incendie approprié doit être disponible à portée de main. Disposer d'un extincteur à poudre sèche ou à CO<sub>2</sub> à proximité de la zone de charge.



### ATTENTION



Il est interdit à toute personne effectuant des travaux relatifs à un système de réfrigération qui impliquent l'exposition de canalisations d'utiliser des sources d'inflammation de telle manière qu'elles puissent entraîner un risque d'incendie ou d'explosion. Toutes les sources d'inflammation possibles, y compris le tabagisme, doivent être maintenues suffisamment loin du site d'installation, de réparation, de retrait et d'élimination, au cours duquel du réfrigérant peut éventuellement être libéré dans l'espace environnant. Avant le début du travail, la zone autour de l'équipement doit être inspectée pour s'assurer qu'il n'y a aucun danger inflammable ou risque d'inflammation. Des panneaux « Interdiction de fumer » doivent être apposés.



### IMPORTANT



S'assurer que la zone est à l'air libre ou qu'elle est correctement ventilée avant d'ouvrir le système ou d'effectuer des travaux à chaud. Un certain degré de ventilation doit être maintenu pendant toute la durée des travaux.



### IMPORTANT



Lorsque des composants électriques sont remplacés, ils doivent être adaptés à l'usage prévu et conformes aux spécifications. Les directives de maintenance et d'entretien du fabricant doivent être respectées à tout moment. En cas de doute, consulter le service technique du fabricant pour obtenir de l'aide. Les contrôles suivants doivent être effectués sur les installations utilisant des RÉFRIGÉRANTS INFLAMMABLES, comme applicable.

1. La charge réelle de réfrigérant correspond à la taille de la pièce dans laquelle les composants contenant le réfrigérant sont installés.
2. Les appareils de ventilation et les sorties fonctionnent correctement et ne sont pas obstrués.
3. Si un circuit frigorifique indirect est utilisé, le circuit secondaire doit être contrôlé pour détecter la présence de réfrigérant.
4. Les marquages apposés sur l'équipement restent visibles et lisibles. Les marquages et panneaux illisibles doivent être corrigés.
5. Les conduites ou composants de réfrigération sont installés dans un endroit où il est peu probable qu'ils soient exposés à une substance susceptible de corroder les composants contenant du réfrigérant, à moins que ces composants ne soient fabriqués en matériaux intrinsèquement résistants à la corrosion ou convenablement protégés contre la corrosion.



### ATTENTION



La réparation et l'entretien des composants électriques doivent comprendre des contrôles de sécurité initiaux et des procédures d'inspection des composants, par exemple pour que les condensateurs soient déchargés en toute sécurité afin d'éviter tout risque d'étincelles, qu'aucun composant électrique sous tension et aucun câblage ne soit exposé lors de la charge, de la récupération ou de la purge du système, et qu'il y a continuité de la mise à la terre. En cas de problème susceptible de compromettre la sécurité, aucune alimentation électrique ne doit être raccordée au circuit tant que le problème n'a pas été résolu de manière satisfaisante. Si le problème ne peut pas être corrigé immédiatement mais qu'il est nécessaire de continuer à faire fonctionner le système, une solution temporaire adéquate doit être utilisée et signalée au propriétaire de l'équipement afin que toutes les parties en soient informées.



### ATTENTION



L'équipement doit porter une étiquette indiquant qu'il a été mis hors service et vidé de son réfrigérant. L'étiquette doit être datée et signée. Pour les appareils contenant un réfrigérant inflammable, assurez-vous que l'équipement porte des étiquettes indiquant qu'il contient un réfrigérant inflammable.



### AVIS



Assurez-vous que le câblage n'est pas sujet à l'usure, à la corrosion, à une pression excessive, à des vibrations, à des bords tranchants ou à tout autre effet négatif sur l'environnement.

## Sécurité relative à l'évaporateur



### AVERTISSEMENT



Aucun dispositif auxiliaire pouvant être une source d'inflammation potentielle ne doit pas être installé dans les conduits. Des exemples de telles sources d'inflammation potentielles sont les surfaces chaudes dont la température dépasse 700 °C et les dispositifs de commutation électrique.



### AVERTISSEMENT



Pour les appareils utilisant des réfrigérants A2L raccordés par un système de conduits d'air à une ou plusieurs pièces, seuls les dispositifs auxiliaires approuvés par le fabricant de l'appareil ou déclarés aptes à utiliser avec le réfrigérant doivent être installés dans les conduits de raccordement.



### WARNING



Si cet appareil climatise un espace dont la surface est inférieure à  $T_{A \min}$  ou est stocké dans un espace dont la surface est inférieure à  $A_{\min}$ , telles que ces dimensions sont définies dans les instructions, cet espace ne doit contenir aucune flamme nue continue (par exemple, un appareil à gaz en fonctionnement) ou aucune autre source d'inflammation potentielle (par exemple, un chauffage électrique en fonctionnement ou une surface chaude similaire). Un dispositif produisant une flamme peut être installé dans cet espace s'il est muni d'un coupe-flamme efficace.



### AVERTISSEMENT



Pour les appareils raccordés à un conduit, des faux plafonds ou des plafonds suspendus peuvent être utilisés comme plénum de retour d'air si un SYSTÈME DE DÉTECTION DE RÉFRIGÉRANT est installé dans l'appareil et si les connexions externes sont également équipées d'un capteur immédiatement sous le joint du conduit de retour d'air.



### AVIS



La tuyauterie, y compris le matériel de la tuyauterie, le cheminement des tuyaux et l'installation, doivent inclure une protection contre les dommages physiques en fonctionnement et pendant l'entretien, et être conformes aux codes et normes nationaux et locaux, tels que ASHRAE 15, ASHRAE 15.2, IAPMO Uniform Mechanical Code, ICC International Mechanical Code ou CSA B52. Tous les joints effectués sur place doivent être accessibles pour inspection avant d'être couverts ou enfermés.



### WARNING



Il est de la responsabilité des installateurs de s'assurer que l'exigence de débit d'air  $Q_{\min}$  présentée dans le tableau  $T_{A \min}$ ,  $Q_{\min}$  est respectée lors de l'association de bobines ADP avec des équipements OEM.



### AVIS



Tout le personnel de maintenance et les autres personnes travaillant dans la zone doivent être informés de la nature des travaux effectués, en évitant de travailler dans des espaces confinés.

	3	5	10	15	20	25	30
Charge de réfrigérant R-454B/R-32 (lb)	3	5	10	15	20	25	30
Charge de réfrigérant R-454B/R-32 (kg)	1.4	2.3	4.5	6.8	9.1	11.3	13.6
SURFACE CLIMATISÉE MINIMALE ( $\text{pi}^2$ )	45	75	150	225	300	375	450
SURFACE CLIMATISÉE MINIMALE ( $\text{m}^2$ )	4.2	7.0	13.9	20.9	27.9	34.8	41.8
DÉBIT D'AIR MINIMAL $Q_{\min}$ ( $\text{m}^3/\text{Hr}$ )	138	230	460	689	919	1149	1379
DÉBIT D'AIR MINIMAL $Q_{\min}$ (CFM)	81	135	270	406	541	676	811

Les serpentins d'évaporateur utilisant des réfrigérants A2L (R-545B et R-32) installés au niveau de la mer doivent être conformes aux exigences minimales des zones climatisées indiquées ci-dessous.

$H_{ALT}$ (MÈTRES)	0 - 600	800	1000	1200	1400	1600	1800	2000	2200	2400	2600	3000	3200
FACTEUR DE CORRECTION (AF)	1.00	1.02	1.05	1.07	1.10	1.12	1.15	1.18	1.21	1.25	1.28	1.36	1.40

Les exigences minimales des zones climatisées doivent être ajustées en multipliant par le facteur de correction en fonction de l'altitude (FCA) pour les installations à des altitudes plus élevées ( $H_{A \text{ alt}}$ ). Les tableaux ci-dessus indiquent les valeurs du FCA pour différentes altitudes en mètres.

# GÉNÉRALITÉS

Les serpentins d'évaporateur ADP sont conçus pour être utilisés avec des climatiseurs ou des thermopompes. Ces instructions contiennent des directives générales, mais n'ont aucunement vocation à supplanter les codes locaux. Consultez les organismes locaux compétents avant l'installation. **Lisez ce manuel d'installation et tous les messages de sécurité avant d'installer le serpentin d'évaporateur.**

Vérifiez que le serpentin n'a pas été endommagé pendant le transport et vérifiez le contenu du carton contenant le serpentin d'évaporateur. En cas de dommage, contactez immédiatement le dernier transporteur. Vérifiez que les indices de rendement (SEER2, EER2 et/ou HSPF2) correspondent à ceux de la thermopompe ou du climatiseur correspondant. Contactez le fabricant de l'unité extérieure pour connaître les dimensions des conduites à utiliser. **Les serpentins sont expédiés avec une charge d'air sec de 10 psi. Percez le bouchon en caoutchouc de la conduite d'aspiration pour libérer la charge avant de retirer les bouchons.** L'absence de pression n'est pas systématiquement synonyme de fuite. Vérifiez l'étanchéité du serpentin avant de l'installer ou de le renvoyer au grossiste.

Installez le serpentin à la sortie du générateur d'air chaud à l'aide de vis à tôle. Dans les configurations horizontales, le serpentin doit être incliné d'environ 1/2 po vers les connexions de drainage. **REMARQUE :** Dans les installations à forte pression statique, de l'air peut être refoulé par l'orifice de drainage auxiliaire si l'inclinaison est supérieure à 5/8 po. Les bacs de drainage en polymère peuvent résister à des températures de 450 °F. **Maintenir un dégagement de 3 po sur les échangeurs de chaleur à huile ou à tambour et de 1,5 po sur les échangeurs de chaleur en sections.** Voir le Guide des spécifications pour les configurations descendantes recommandées. Voir le Guide des spécifications pour obtenir les limitations.



Si vous installez la bobine dans un système utilisant des **réfrigérants A2L**, **NE SOUDEZ AUCUN DES ENSEMBLES DE TUYAUX** sans avoir préalablement examiné le manuel d'installation du kit de système de détection de réfrigérant d'ADP pour connaître les exigences spécifiques concernant les joints primaires et secondaires dans les espaces installés.

**AVIS**

Une fois la tuyauterie fabriquée sur place terminée pour les systèmes en deux parties, elle doit être soumise à un essai sous pression avec un gaz inerte à une pression minimale de 450 psig, puis à un essai sous vide avant le chargement du réfrigérant.

**AVIS**

Les joints de réfrigérant fabriqués sur place à l'intérieur doivent être soumis à un essai d'étanchéité. La méthode d'essai doit avoir une sensibilité de 5 grammes de réfrigérant par an ou mieux, à une pression d'au moins 0,25 fois la pression maximale admissible. Aucune fuite ne doit être détectée.

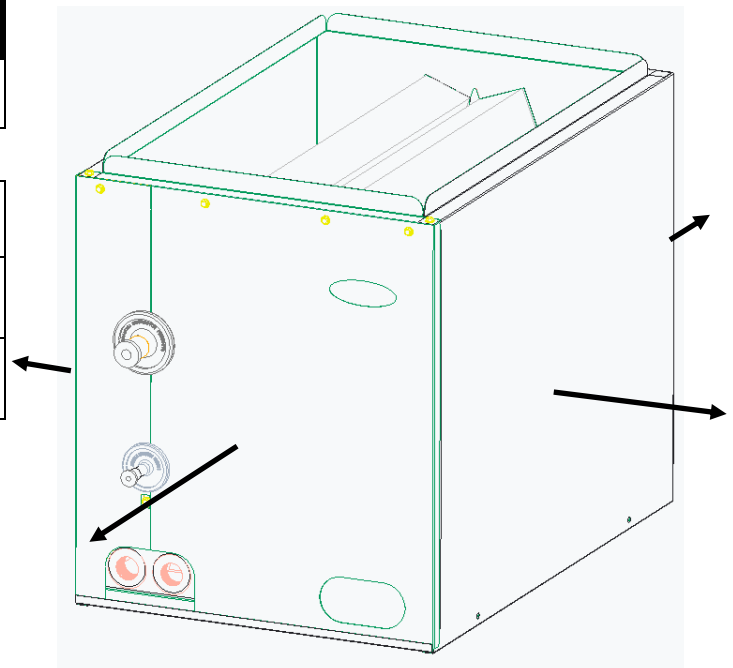
## EMPLACEMENT ET DÉGAGEMENTS

**AVIS**

L'altitude maximale d'installation est de 3200 m au-dessus du niveau de la mer.

TAILLE MIN. DE L'ENCEINTE POUR LES SERPENTINS NON-ENCAPSULÉS			
	Avant	Côté	Arrière
<b>DIM À PARTIR DU BAC DE DRAINAGE</b>	0,5 po	0,5 po	0,5 po

DÉGAGEMENTS D'ENTRETIEN			
	Avant	Côté	Arrière
<b>DÉGAGEMENTS</b>	6 po	0 po	0 po



## VERTICAL

Les serpentins en A verticaux sont conçus pour les configurations ascendantes et descendantes. Les bacs de drainage verticaux présentent des connexions sur les côtés avant droit et gauche du serpentin de l'évaporateur. Voir le Guide des spécifications pour obtenir les limitations. Dans les configurations descendantes, du

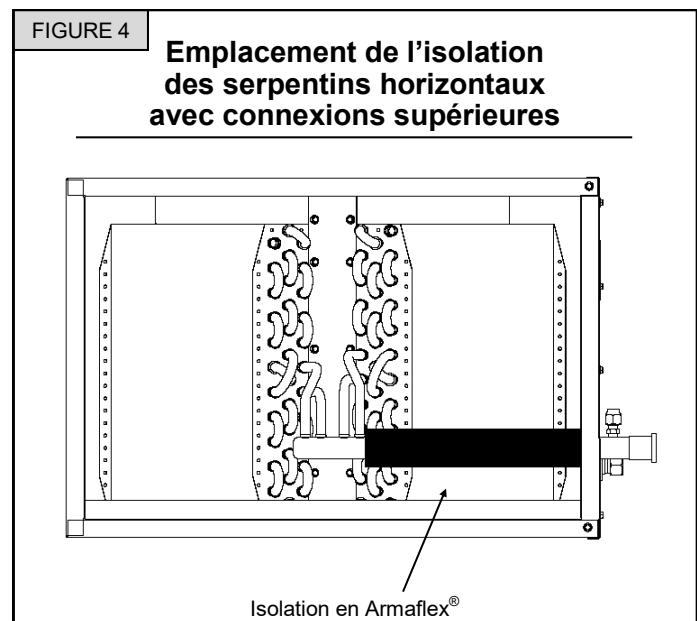
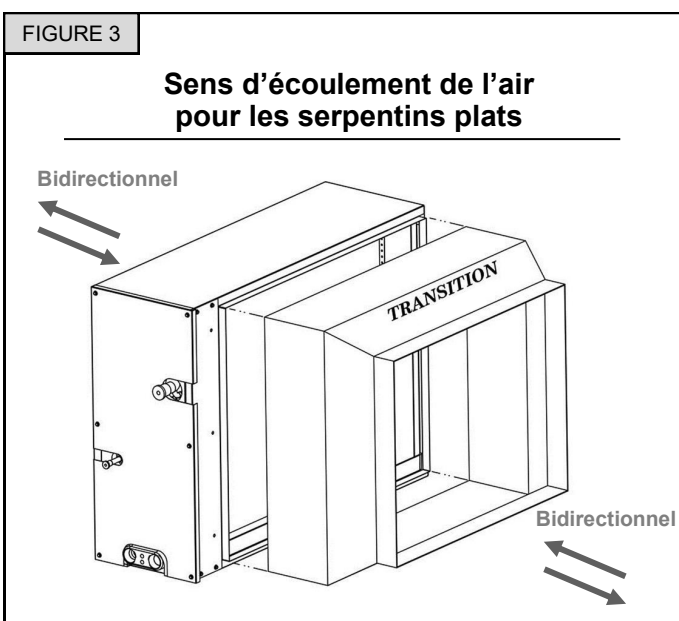
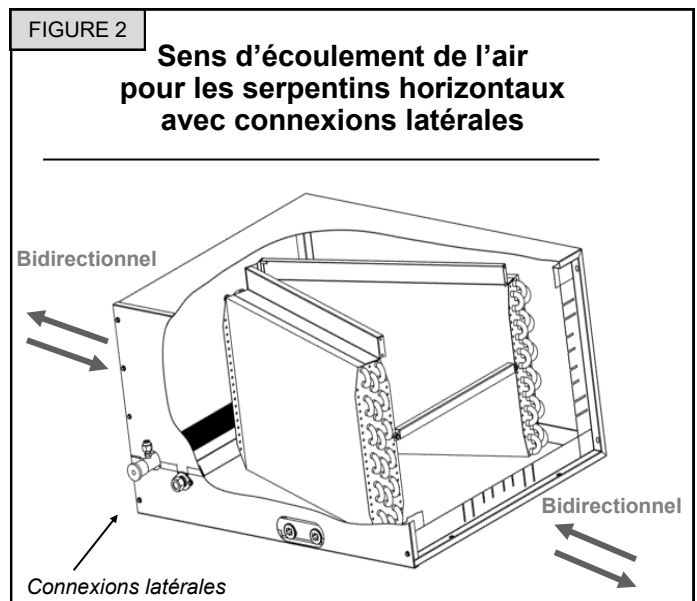
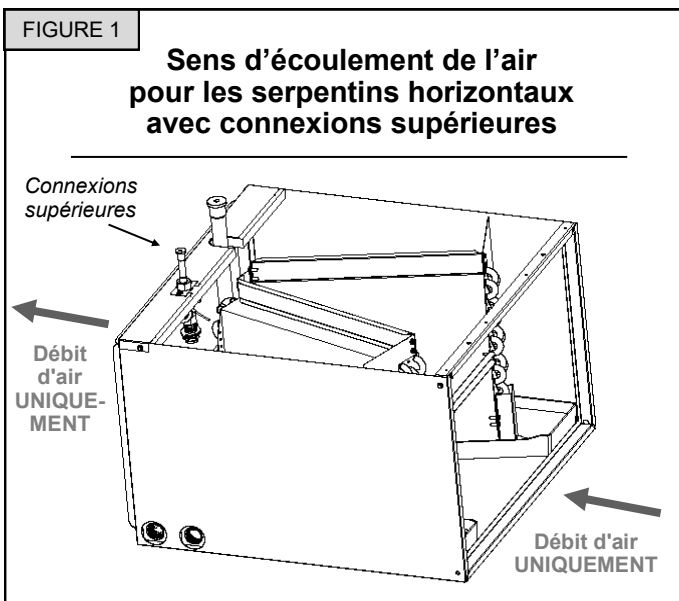
ruban d'aluminium doit être appliqué pour étanchéifier le bord supérieur de l'isolation sur l'enceinte. Ce ruban évite que l'isolant ne se décolle et bloque le débit d'air. Voir le Guide des spécifications pour les configurations descendantes recommandées.

## HORIZONTAL DÉDIÉ

Les serpentins plats et les serpentins en A horizontaux dédiés sont conçus pour les configurations horizontales uniquement. Les serpentins en A horizontaux de 17,5 po de haut et plus comprennent des adaptateurs de plaque de générateur d'air chaud pour faciliter l'ajustement des générateurs de différentes largeurs. **L'installation d'une protection anti-éclaboussures n'est pas nécessaire sur les serpentins horizontaux.**

- Pour obtenir un rendement adéquat avec les **serpentins en A horizontaux avec connexions supérieures**, l'air doit s'écouler par le côté du serpentin où se trouvent les connexions supérieures (Figure 1).

- Les **serpentins en A horizontaux avec connexions latérales** sont bidirectionnels (Figure 2). Illustré ci-dessous avec les panneaux découpés pour plus de clarté.
- Les **serpentins plats** sont bidirectionnels et nécessitent une transition pour terminer l'installation (Figure 3).
- Pour les **serpentins en A horizontaux avec connexions latérales**, la section de la conduite d'aspiration à l'intérieur de l'enceinte doit être isolée avec une isolation en Armaflex® (Figure 4).



## MULTI-POSITIONS

Les serpentins en A multi-positions sont installés en usine avec un bac de drainage vertical et horizontal et peuvent être configurés pour des configurations ascendantes, descendantes, horizontales à air soufflé ou horizontales à air aspiré. Un restricteur d'air d'admission métallique est installé en usine dans l'ouverture centrale du bac de vidange vertical, et est nécessaire pour les configurations horizontales. Il peut être retiré sur les configurations verticales. Voir le **Guide des spécifications pour les configurations descendantes recommandées**.

Sur les configurations horizontales, installez une protection anti-éclaboussures (incluse) sur la sortie du serpentin et prolongez de 2 po l'isolation de la conduite d'admission dans l'enceinte du serpentin pour empêcher la condensation de goutter sur l'isolation (il peut être nécessaire de déplacer le passe-fil en caoutchouc). La protection anti-éclaboussures n'est pas nécessaire dans les configurations horizontales. La bride inférieure de la protection doit reposer sur le bac et les côtés vissés sur les brides du conduit. Voir les Figures 6 et 7 à la page 4 pour les instructions sur la protection anti-éclaboussures.

Dans les configurations descendantes et à contre-courant, du ruban d'aluminium doit être appliqué pour étanchéifier le bord supérieur de l'isolation sur l'enceinte. Ce ruban évite que l'isolant ne se décolle et bloque le débit d'air. Dans les configurations à contre-courant et les configurations à air aspiré horizontales, une transition d'au moins 12 po est requise devant le serpentin comme illustré à la figure 5. Ceci est nécessaire pour assurer une distribution correcte de l'air et réduire la chute de pression.

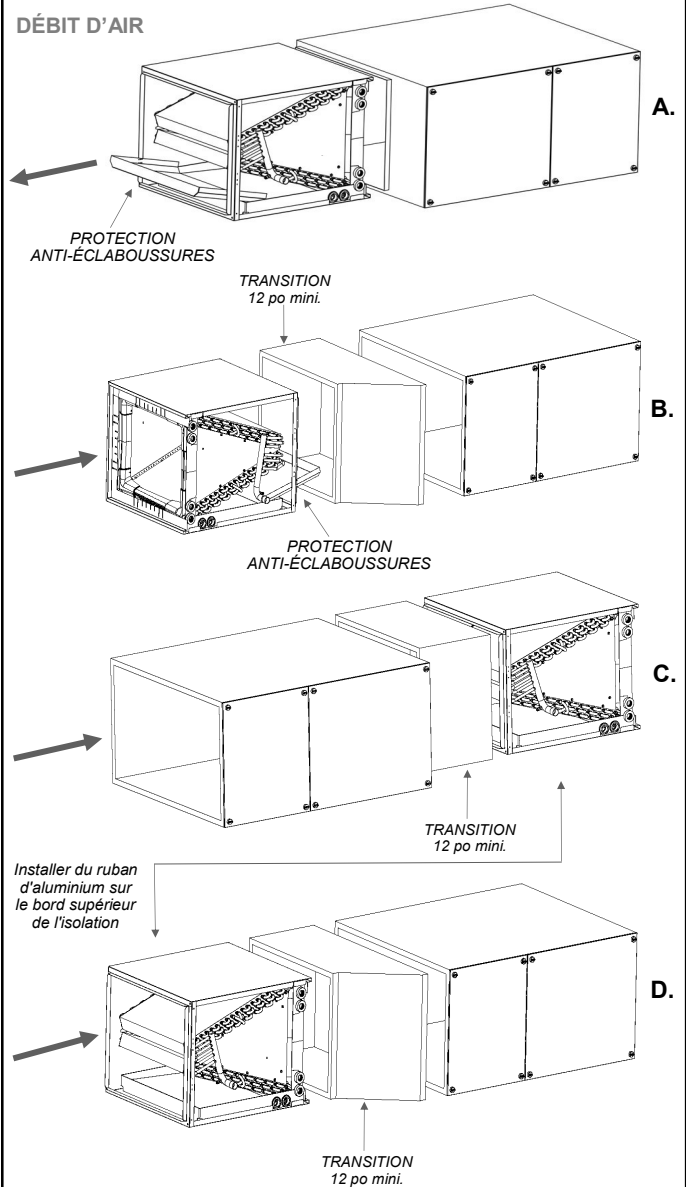
Les serpentins de 20 po de haut ou moins installés dans une enceinte de 25,5 po de haut ou plus ne nécessitent pas de transition ; tous les autres modèles de serpentin nécessitent cette transition. Le serpentin doit être de niveau ou légèrement incliné vers le raccord de drainage. Il est recommandé d'ajouter un calfeutrage au silicone entre les bacs de drainage pour éviter l'entraînement d'eau. **Remarque :** Les serpentins en A multi-positions sont également convertibles de gauche à droite ou de droite à gauche ; voir page 5 pour les instructions sur la conversion sur place pour une configuration horizontale.

### Liste de contrôle supplémentaire de pré-mise en service pour les serpentins en A multi-positions :

- Installer la protection anti-éclaboussures (Figure 5, configurations A et B)
- Installer la transition de 12 po comme illustré (configurations horizontales non standard / Figure 5, configurations B et C)
- Le restricteur d'air d'admission installé en usine doit être présent dans l'ouverture centrale du bac de drainage (applications horizontales)
- Le déflecteur d'eau interne installé en usine doit être en place (Figure 8, élément 5)
- Prolonger l'isolation de la conduite d'aspiration dans l'enceinte (contre-courant)
- Installer du ruban d'aluminium pour étanchéifier le bord supérieur de l'isolation (contre-courant)

FIGURE 5

### Configurations multi-positions



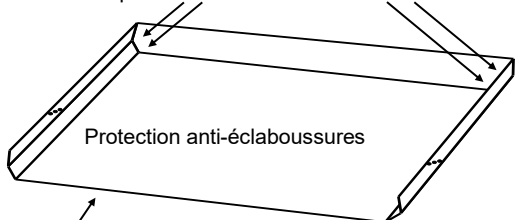
- A. **Configuration horizontale typique**  
Côté gauche illustré / Côté droit similaire (non illustré)  
CONFIGURATION STATIQUE LA PLUS BASSE  
Voir le Guide des spécifications pour des données supplémentaires
- B. **Air aspiré**  
Côté droit illustré / Côté gauche similaire (non illustré)
- C. **Air soufflé (contre-courant)**  
Côté gauche illustré / Côté droit similaire (non illustré)
- D. **Air aspiré (contre-courant)**  
Côté gauche illustré / Côté droit similaire (non illustré)

# MULTI-POSITIONS (PROTECTION ANTI-ÉCLABOUSSURES)

FIGURE 6

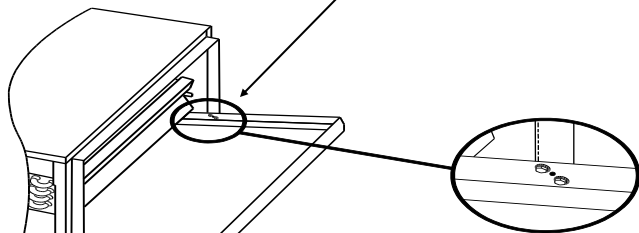
## Protection anti-éclaboussures sans bord incliné avant

Étanchéifier les joints de la protection anti-éclaboussures avec du silicone ou un produit d'étanchéité.



L'extrémité ouverte de la protection anti-éclaboussures doit reposer sur le bac de drainage horizontal.

Fixer la protection anti-éclaboussures aux brides du conduit avec (4) vis à tôle. (2) de chaque côté. Les vis peuvent être installées de l'intérieur ou de l'extérieur.



4 po mini.

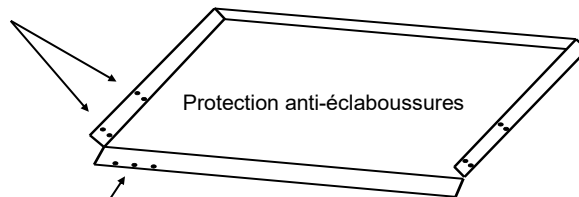
Incliner la protection anti-éclaboussures pour assurer un drainage correct de l'eau dans le bac de drainage horizontal.

La protection anti-éclaboussures doit chevaucher le bac de drainage horizontal d'au moins 4 po.

FIGURE 7

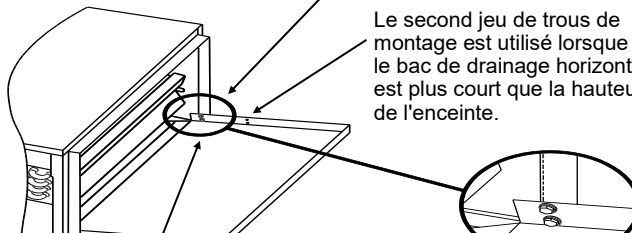
## Protection anti-éclaboussures avec bord incliné avant

Trous utilisés pour fixer la protection anti-éclaboussures sur les brides du conduit.



**Attention:** Ces trous sont destinés à la fabrication uniquement. **NE PAS** les utiliser pour l'installation!

Le premier jeu de trous de montage est utilisé lorsque le bac de drainage horizontal vient au ras de l'enceinte.

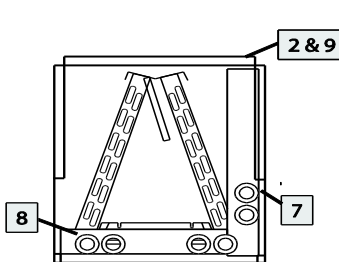
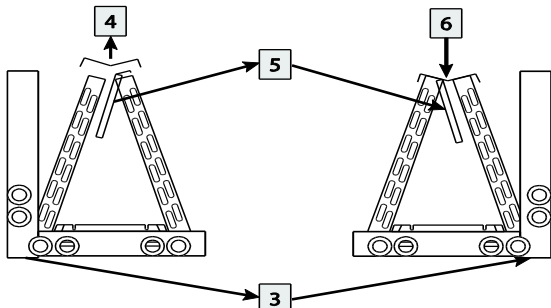


Le second jeu de trous de montage est utilisé lorsque le bac de drainage horizontal est plus court que la hauteur de l'enceinte.

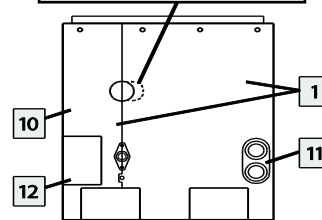
Fixer la protection anti-éclaboussures aux brides du conduit avec (4) vis à tôle. (2) de chaque côté. Les vis peuvent être installées de l'intérieur ou de l'extérieur.

FIGURE 8

## Conversion multi-positions sur place



Remarque : Il peut être nécessaire de couper le panneau d'accès pour accéder au collecteur d'aspiration.



## MULTI-POSITIONS (CONVERSION SUR PLACE)

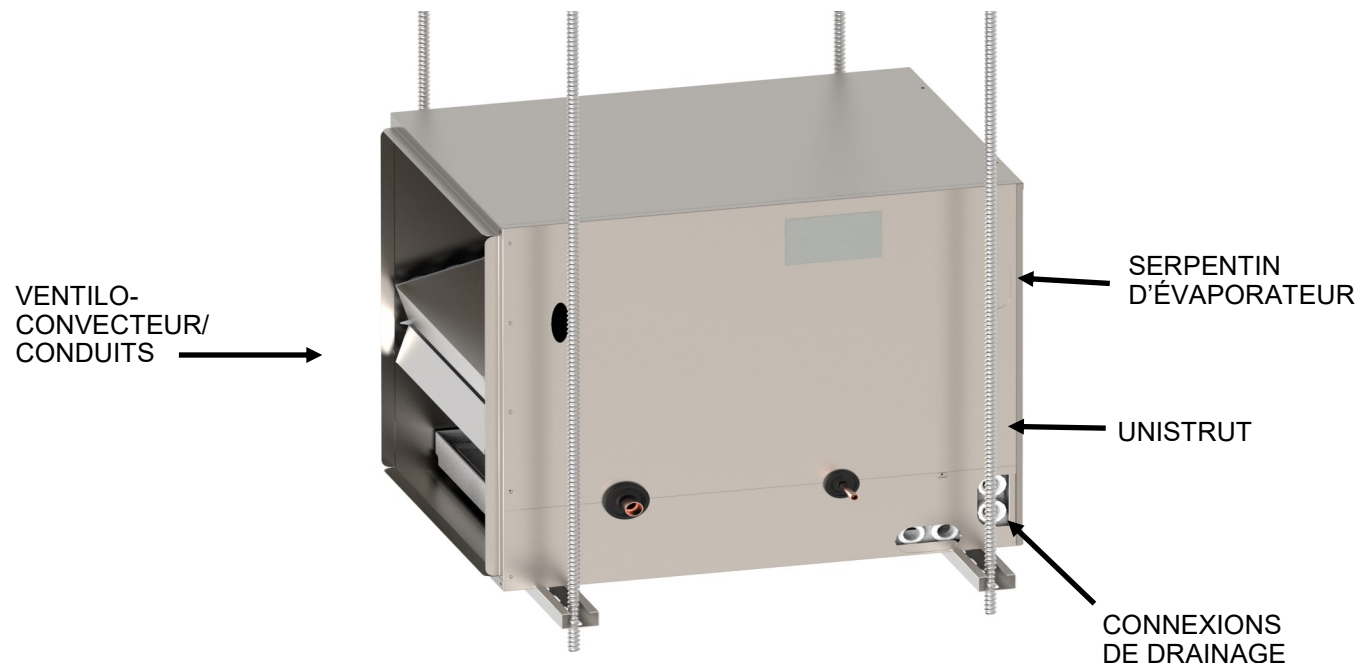
### Instructions de conversion sur place pour un débit d'air de gauche à droite ou de droite à gauche

**Remarque :** Applicable uniquement aux modèles multi-positions ; voir le Guide des spécifications pour plus de détails ; la conversion de gauche à droite en configuration horizontale typique est illustrée.

#### POUR CHAQUE ÉTAPE, REPORTEZ-VOUS À LA FIGURE 8 :

1. Retirer les panneaux avant.
2. Retirer la barre supérieure et sortir l'ensemble serpentin de l'enceinte.
3. Retirer le bac de drainage horizontal et le réinstaller du côté opposé du serpentin (**Remarque :** les bouchons de drainage du bac de drainage horizontal doivent être bien serrés à l'arrière de l'unité).
4. Retirer la plaque supérieure.
5. Retirer le déflecteur d'eau et le réinstaller sur la base opposée (**Remarque :** Si le déflecteur d'eau est fixé par des vis, retirer les vis et déplier la languette ou couper la languette).
6. Remonter la plaque supérieure et appliquer un agent d'étanchéité pour sceller les joints.
7. Avant de réinsérer l'ensemble serpentin, couper la bride avant sur l'enceinte et la replier pour accéder aux raccords de drainage horizontaux (**Remarque :** Dupliquer la découpe d'usine sur le côté opposé de l'enceinte).
8. Glisser le serpentin dans l'enceinte (**Remarque :** Si l'unité est équipée d'une entretoise en tôle, celle-ci doit être réinstallée de l'autre côté de l'enceinte).
9. Réinstaller la barre supérieure.
10. Réinstaller le panneau de tuyauterie sur l'enceinte.
11. Découper un trou dans le panneau d'accès pour accéder aux raccords de drainage horizontaux, puis réinstaller le panneau d'accès sur l'enceinte (**Remarque :** Il peut être nécessaire de couper le panneau d'accès pour accéder au collecteur d'aspiration).
12. Étanchéifier les découpes pour les raccords de purge de condensat inutilisés sur le panneau avant pour éviter les fuites d'air.

## DÉTAIL D'UN SERPENTIN SUSPENDU



#### Installation d'une enceinte suspendue :

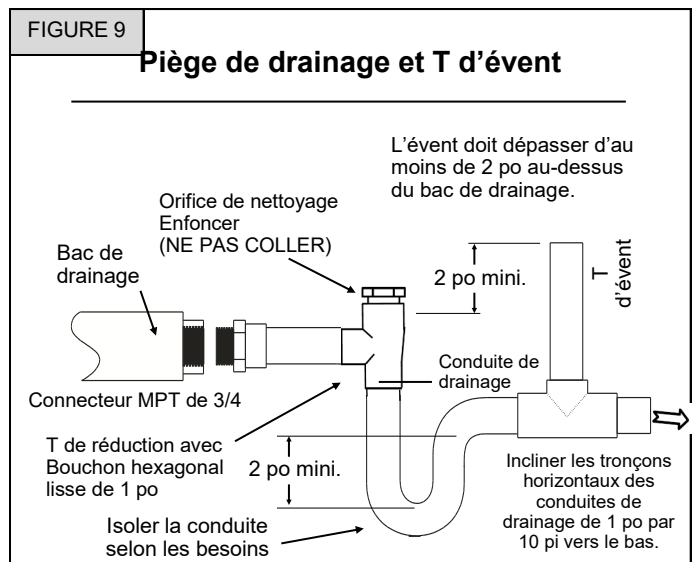
Les moyens de suspension doivent être fabriqués sur place et doivent comprendre un minimum de deux « berceaux » positionnés symétriquement par rapport à l'axe du serpentin et d'une structure de conception adéquate pour supporter le poids du serpentin en fonctionnement. Exemple : Les berceaux peuvent être fabriqués en attachant deux tiges filetées de 3/8 po à des rails Unistrut de 1-5/8 x 7/8 po ou l'équivalent. Un espace suffisant doit être prévu devant les panneaux du serpentin pour leur retrait et les berceaux ne doivent pas gêner le retrait de ces panneaux, les raccords de drainage ou les raccords de réfrigérant. Les berceaux doivent être à au moins 2 po des bords du serpentin.

## DRAIN DE CONDENSAT

Les serpentins sont équipés de plusieurs raccords de drainage. Déterminez les raccords à utiliser et notez la différence entre les orifices primaires (verts) et secondaires (rouges). Des bouchons de drainage sont fournis pour toutes les ouvertures. Retirez (puis jetez) les bouchons appropriés avec une clé et vérifiez que les autres bouchons sont bien serrés (2,5 lb-ft). Fixez la conduite de drainage sur le bac à l'aide de raccords en PVC mâles filetés de 3/4 po. **Un serrage à la main est suffisant – Ne serrez pas trop et ne réduisez pas le diamètre de la conduite de drainage!**

Acheminez la ou les conduites de drainage de manière à ce qu'elles ne soient pas exposées au gel et n'interfèrent pas avec l'accès au serpentin, au ventilateur-convecteur ou au filtre. Le drain doit être incliné vers le bas de 1 po par 10 pi avec un piège de 2 po aussi près que possible du serpentin. Si la conduite forme un second piège ou si elle est très longue, un T d'évent doit être installé après le piège le plus proche du bac. Voir la figure 9.

Si le serpentin est situé dans ou au-dessus d'un espace de vie qui est susceptible d'être endommagé en cas de débordement de condensat, un drain séparé de 3/4 po doit être connecté au raccord de drainage secondaire. Acheminez ce drain conformément aux codes d'installation locaux jusqu'à un endroit où il sera visible lorsque l'unité fonctionnera. Si du condensat s'écoule par le drain secondaire, cela signifie que le drain primaire est bouché. Amorcez le piège avec de l'eau. Vérifiez l'étanchéité de la



conduite. Testez l'écoulement de l'eau lorsque l'unité fonctionne. Un bac de drainage auxiliaire doit être installé sous l'unité et avoir une surface supérieure à celle du serpentin, comme spécifié par la plupart des codes du bâtiment locaux.

## NETTOYAGE DU SERPENTIN

Le serpentin doit de préférence être inspecté et nettoyé avant l'installation, mais au moins une fois par an ou plus souvent si nécessaire. Un technicien qualifié (ou équivalent) doit nettoyer le serpentin de l'unité intérieure.

1. Porter un équipement de protection individuelle : lunettes de sécurité et/ou écran facial, vêtements imperméables et gants.
2. Aspirer ou brosser le serpentin pour retirer les corps étrangers (saleté, poils d'animaux, etc.) de la surface des ailettes.
3. Utiliser uniquement de l'eau potable propre pour nettoyer le serpentin. Nettoyer la surface de la dalle du serpentin en pulvérisant de l'eau de façon régulière et uniforme à un angle vertical de 30 à 45 degrés avec un jet d'eau constant à pression modérée (**moins de 50 psig**) de haut en bas. Il est préférable d'utiliser une buse en éventail. Ne pas pulvériser l'eau horizontalement sur le serpentin.

4. L'utilisation d'agents de nettoyage acides (pH < 5) ou alcalins (pH > 9) risque d'enlever les revêtements de protection appliqués en usine et de réduire la durée de vie des serpentins en aluminium.
5. Les agents de nettoyage alcalins (également appelés sans acide) sont des produits ayant un pH supérieur à 7. Les agents de nettoyage acides sont des produits ayant un pH inférieur à 7.

**Remarque :** Le rinçage depuis l'intérieur du serpentin oblige à retirer certaines pièces de l'unité, sachant qu'il peut être très difficile de rincer toute la surface du serpentin. Asperger de l'eau à travers le serpentin réduit le débit et l'action de rinçage de la surface extérieure des ailettes.

## INSTALLATION DES ÉTIQUETTES

Marquez de manière permanente l'étiquette de série avec le réfrigérant A2L approprié et le dispositif de mesure utilisé. Voir l'exemple ci-dessous.

**REFRIGÉRANT: FACTORY CONFIGURED FOR R-454B**

● **FIELD INSTALLED AS R-454B**

○ **FIELD CONFIGURED TO**

○ **R-32**

**METERING DEVICE**

● **TXV**

○ **PISTON**



## DISPOSITIF DE MESURE

Les bobines sont adaptées pour le R-454B et le R-32 avec le kit de système de détection de réfrigérant. Les réfrigérants peuvent être utilisés avec un piston ou un TXV. Consultez les instructions du kit pour le remplacement ou l'installation. ADP recommande de placer un chiffon humide autour de la ligne d'aspiration au niveau de l'armoire pendant le brasage pour éviter la surchauffe et endommager le bulbe de détection.

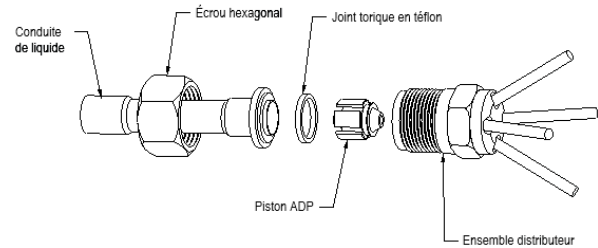
Pour un rendement optimal, remontez et isolez le bulbe à une position comprise entre 10 et 2 heures à l'extérieur de l'enceinte sur la conduite d'aspiration principale à moins d'un pied du raccord de la conduite d'aspiration. Si nécessaire, le bulbe peut être installé sur une conduite d'aspiration verticale. Dans ce cas, le bulbe doit être placé avant tout piège, avec le tube capillaire du bulbe orienté vers le haut. Lors du passage d'un climatiseur à une thermopompe ou d'une thermopompe à un climatiseur, vérifiez les spécifications de la TXV pour déterminer si elle doit être remplacée. **Si le serpentin d'évaporateur contient une TXV sans purge et est utilisé avec un groupe compresseur-condenseur contenant un compresseur alternatif, un ensemble de démarrage à froid doit être installé sur le groupe compresseur-condenseur.**

Les serpentins encapsulés avec un dispositif de mesure à piston sont expédiés avec un capuchon et un écrou hexagonal sur le raccord fileté. Retirez lentement le capuchon et l'écrou pour laisser la charge s'échapper, et fixez le raccord de la conduite de liquide (fixé à l'enceinte) sur l'ensemble distributeur avec un écrou hexagonal. Jetez le capuchon.

Pour un rendement optimal, le piston doit être dimensionné conformément aux recommandations du fabricant de l'unité extérieure. Si le fabricant de l'unité extérieure ne recommande pas une taille de piston, reportez-vous au tableau des tailles de piston. Pour remplacer les pistons, reportez-vous à la figure 10 et utilisez la procédure suivante :

FIGURE 10

### Vue de côté de l'orifice du piston



1. Desserrez l'écrou hexagonal situé sur la conduite de liquide et écartez-le de l'ensemble distributeur.
2. Retirez le piston existant de l'intérieur de l'ensemble distributeur.
3. Insérez le nouveau piston dans l'ensemble distributeur.
4. Inspectez le joint torique en téflon et remplacez-le s'il est endommagé. Assurez-vous que le joint torique en téflon est en place.



### IMPORTANT



Lors du remplacement du dispositif de mesure, assurez-vous que celui-ci correspond au type de réfrigérant et à la capacité du groupe compresseur-condenseur. Le non-respect de cette consigne peut entraîner un mauvais rendement du système, voire l'endommagement du compresseur. Tous les serpentins doivent être correctement dimensionnés conformément aux instructions de l'AHRI.

## INSTALLATION DES CONDUITES DE RÉFRIGÉRANT



**NE SOUDEZ AUCUN DES ENSEMBLES DE TUYAUX** sans avoir préalablement examiné le manuel d'installation du kit de système de détection de réfrigérant d'ADP pour connaître les exigences spécifiques concernant les joints primaires et secondaires dans les espaces installés.

ADP recommande l'installation d'un filtre déshydrateur et d'un voyant dans la ligne de liquide. Pendant le brasage, purger le système avec de l'azote pour éviter toute contamination. ADP recommande de réattacher et d'isoler le bulbe de détection du TXV à une position de 10 à 2 heures sur la ligne d'aspiration, à l'extérieur du boîtier de la bobine, à moins d'un pied de la connexion. ADP recommande de réattacher et d'isoler le bulbe de détection du TXV à une position de 10 à 2 heures sur la ligne d'aspiration, à l'intérieur du boîtier de la bobine. Évacuer

le système à 500 microns pour garantir une élimination adéquate de l'air et de l'humidité (Note : Évacuation profonde ou méthode d'évacuation triple recommandée). Ouvrir lentement la vanne de service d'aspiration et permettre au réfrigérant de pénétrer dans le système avant d'ouvrir la vanne de service de liquide.

## DÉTECTION DU RÉFRIGÉRANT INFLAMMABLE

---

Ne jamais utiliser une source d'inflammation potentielle pour rechercher ou détecter les fuites de réfrigérant.

**Ne pas utiliser de lampe haloïde (ou tout autre détecteur utilisant une flamme nue).**

**Les méthodes de détection des fuites suivantes sont jugées acceptables pour tous les systèmes de réfrigération.**

Des détecteurs de fuites électroniques peuvent être utilisés pour détecter les fuites de réfrigérant, mais dans le cas des RÉFRIGÉRANTS INFLAMMABLES, leur sensibilité peut ne pas être adéquate ou nécessiter un nouvel étalonnage. (Le matériel de détection doit être étalonné dans une zone exempte de réfrigérant.) S'assurer que le détecteur n'est pas une source d'inflammation potentielle et qu'il est adapté au réfrigérant utilisé. L'équipement de détection des fuites doit être réglé à un pourcentage de la LFL du réfrigérant et doit être étalonné avec le réfrigérant utilisé, et le pourcentage approprié de gaz (25 % maximum) est confirmé.

Des liquides de détection de fuites peuvent également être utilisés avec la plupart des réfrigérants, mais ne pas utiliser de détergents contenant du chlore car le chlore peut réagir avec le réfrigérant et corroder les tuyauteries en cuivre.

REMARQUE : Exemples de liquides de détection de fuites :

- Bulles,
- Agents fluorescents.

Si une fuite est suspectée, toutes les flammes nues doivent être enlevées/éteintes.

En cas de fuite de réfrigérant nécessitant un brasage, tout le réfrigérant doit être récupéré du système ou isolé (au moyen de vannes d'arrêt) dans une partie du système à l'écart de la fuite. Le réfrigérant doit être retiré conformément à la procédure de retrait et d'évacuation.

## INSTRUCTIONS DE CHARGE DU RÉFRIGÉRANT <sup>1</sup>

---

Lors de la charge en mode climatisation, la température extérieure doit être de 60 °F minimum. Pour permettre aux pressions de se stabiliser, faites fonctionner le système pendant au moins 15 minutes entre les réglages. Lors du réglage de la charge des systèmes équipés de serpentins extérieurs à microcanaux, faites de petites modifications (1 once ou moins) car ces systèmes sont très sensibles à la charge de réfrigérant.

**Charge avec TXV<sup>2, 3, 4</sup>** – Utilisez la méthode de chargement recommandée dans les instructions de l'unité extérieure. Sinon, ADP recommande de charger à un sous-refroidissement de 12 °F pour les climatiseurs et à un sous-refroidissement de 10 °F pour les thermopompes. De plus, si l'unité est équipée d'une soupape réglable, réglez à une température de surchauffe de 10 °F.

**Charge avec orifice fixe<sup>2, 3, 4</sup>** – Pour les installations de réfrigérant A2L (R-454B & R-32), utilisez le surchauffage recommandé par les instructions de l'unité extérieure.

Pour les thermopompes initialement chargées en mode climatisation, des réglages fins de la charge en mode chauffage sont acceptables au besoin. Certaines thermopompes doivent être chargées en mode chauffage. Dans ce cas, reportez-vous aux instructions de l'unité extérieure pour connaître les procédures de charge recommandées.

Si le système est sous-chargé après la charge initiale, ajoutez du réfrigérant jusqu'à ce que le regard soit bien clair et que les pressions, températures, sous-refroidissement et surchauffe recommandés soient correctes. Si le système est surchargé après la charge initiale, récupérez du réfrigérant jusqu'à ce que les pressions, températures, sous-refroidissement et surchauffe recommandés soient correctes.

### Remarques :

1. En cas de problème ou de question concernant le chargement, contactez le service à la clientèle.
2. Les méthodes de chargement du FEO varient en fonction de la conception et de l'application. Vérifiez que toutes les valeurs de pression, température, sous-refroidissement et surchauffe recommandées permettent d'obtenir une charge correcte.
3. Les serpentins ADP peuvent nécessiter une compensation de la charge en raison de la différence de taille par rapport au serpentin du FEO.
4. Les températures sont de  $\pm 2$  °F, sauf indication contraire.

## RÉCUPÉRATION DU RÉFRIGÉRANT

---

Avant de travailler sur des systèmes contenant du réfrigérant, il est essentiel que le technicien soit parfaitement familiarisé avec l'équipement et tous ses détails. Il est recommandé de récupérer tous les réfrigérants en toute sécurité. Avant de commencer le travail, un échantillon d'huile et de réfrigérant doit être prélevé au cas où une analyse serait nécessaire avant la réutilisation du réfrigérant récupéré. Il est essentiel que l'alimentation électrique soit disponible avant de commencer à travailler. Les étapes à suivre pour ce faire sont les suivantes : se familiariser avec l'équipement et son fonctionnement, isoler électriquement le système, s'assurer qu'avant de tenter la procédure, un équipement de manutention mécanique est disponible (si nécessaire) pour manipuler les bouteilles de réfrigérant, et que tous les équipements de protection individuelle sont disponibles et utilisés correctement, tandis que la procédure de récupération est supervisée en permanence par une personne compétente et que l'équipement de récupération et les bouteilles sont conformes aux normes appropriées.

En outre, évacuer le circuit de réfrigération si possible, et si un vide n'est pas possible, fabriquer un collecteur de sorte que le réfrigérant puisse être évacué des différentes parties du système. Assurez-vous que les bouteilles sont situées sur des balances avant de procéder à la récupération. Démarrez l'appareil de récupération et utilisez-le conformément aux instructions. Ne remplissez pas trop les bouteilles (charge de liquide ne dépassant pas 80 % en volume). Ne dépassez pas la pression de service maximale des bouteilles, même temporairement. Lorsque les bouteilles ont été remplies correctement et que la procédure est terminée, assurez-vous que les bouteilles et l'équipement sont retirés du site rapidement et que toutes les vannes d'isolement de l'équipement sont fermées. Le réfrigérant récupéré ne doit pas être chargé dans un autre système de réfrigération, sauf s'il a été nettoyé et vérifié.

Que ce soit pour l'entretien ou la mise hors service, il est recommandé de retirer tout le réfrigérant de façon sécuritaire. Assurez-vous que seules des bouteilles de récupération de réfrigérant appropriées sont utilisées. Assurez-vous qu'un nombre suffisant de bouteilles est disponible pour recevoir la charge totale du circuit. Toutes les bouteilles doivent être conçues pour le réfrigérant à récupérer et étiquetées pour ce réfrigérant (c.-à-d. qu'il faut utiliser des bouteilles spécialement conçues pour la récupération de réfrigérant). Les bouteilles doivent être équipées d'une soupape de sécurité et d'un robinet en bon état. Les bouteilles de récupération vides doivent être évacuées et, si possible, refroidies avant la récupération.

L'équipement de récupération doit être en bon état, assorti d'instructions d'utilisation et adapté à la récupération de réfrigérant inflammable. En cas de doute, consultez le fabricant. En outre, un jeu de balances étalonnées en bon état doit être disponible. Les flexibles doivent être en bon état et équipés de connecteurs étanches.

Le réfrigérant récupéré doit être géré conformément à la législation locale dans les bouteilles de récupération appropriées, et un avis de transfert de déchet doit être préparé. Ne mélangez pas les réfrigérants dans les unités de récupération et surtout pas dans les bouteilles.

Si des compresseurs ou des huiles de compresseur doivent être retirés, assurez-vous qu'ils ont été évacués à un niveau acceptable afin d'être certain qu'il ne reste pas de réfrigérant inflammable dans le lubrifiant. Ne chauffez pas le corps du compresseur avec une flamme nue ou une autre source d'inflammation pour accélérer ce processus. En cas de vidange d'huile d'un système, l'opération doit être effectuée en toute sécurité.

## ENTRETIEN ET REPARATIONS INSTRUCTIONS

---

Lorsqu'il est nécessaire d'ouvrir le circuit de réfrigérant pour effectuer des réparations – ou à toute autre fin – les procédures conventionnelles doivent être utilisées. Cependant, pour les réfrigérants inflammables, il est important de suivre de bonnes pratiques de travail comme le retrait en toute sécurité du réfrigérant conformément aux réglementations locales et nationales ou l'ouverture du circuit par découpage ou brasage.

Le réfrigérant doit être récupéré dans les bouteilles de récupération appropriées si la mise à l'atmosphère n'est pas autorisée par les codes locaux et nationaux. Les appareils contenant un réfrigérant inflammable doivent être purgés avec de l'azote exempt d'oxygène afin de rendre l'appareil sécuritaire pour les réfrigérants inflammables. Il peut être nécessaire de répéter ce processus plusieurs fois. Ne pas purger un système de réfrigération avec de l'air comprimé ou de l'oxygène.

Avec les appareils contenant un réfrigérant inflammable, la purge du réfrigérant doit être réalisée en cassant le vide dans le système avec de l'azote exempt d'oxygène puis en remplissant jusqu'à ce que la pression de service soit atteinte, puis en évacuant à l'atmosphère, et enfin en évacuant le système (facultatif pour A2L). Ce processus doit être répété jusqu'à ce qu'il n'y ait plus de réfrigérant dans le système (facultatif pour A2L). Lorsque la charge finale d'azote exempt d'oxygène est utilisée, le système doit être évacué à la pression atmosphérique pour permettre de continuer le travail.

S'assurer que le refoulement de la pompe à vide ne se trouve pas à proximité d'une source d'inflammation potentielle et qu'une ventilation est disponible.

# GARANTIE LIMITÉE D'ADP

## Période de garantie

Advanced Distributor Products (ADP) garantit que les produits vendus sont de qualité marchande et exempts de défauts de matière et de fabrication, dans des conditions d'utilisation et d'entretien normales, pendant une période de cinq (5) ans à compter de la date d'installation, qui **ne peut pas** dépasser six (6) ans après la date de fabrication sous réserve des dispositions de la garantie limitée d'ADP.

Pour obtenir plus d'informations sur la garantie de ce produit, y compris l'accès aux conditions complètes de la garantie, une garantie prolongée\* ou des instructions sur le dépôt d'une réclamation au titre de la garantie, rendez-vous sur [www.ADPwarranty.com](http://www.ADPwarranty.com).

*\* Dans les États ou provinces où les exigences d'enregistrement sont interdites, le défaut d'enregistrement par le consommateur ne diminue pas ses droits au titre de la garantie.*

## Information sur l'équipement

Écrivez les renseignements demandés ci-dessous et conservez la présente garantie dans vos dossiers pour consultation future.

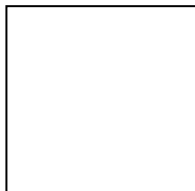
Numéro de modèle : \_\_\_\_\_

Numéro de série : \_\_\_\_\_

Installateur : \_\_\_\_\_

Date d'installation : \_\_\_\_\_

Téléphone : \_\_\_\_\_



## LISTE DE CONTRÔLE D'INSTALLATION

### Configuration descendante :

- Voir les pi/min maxi sur l'étiquette du serpentin
- Ruban sur le bord supérieur de l'isolation

### Dispositif de mesure :

- Vérifier et/ou installer la TXV ou le piston correct

### Installation avec TXV uniquement :

- Placer le bulbe de la TXV en position 10 à 2 heures
- Isoler le bulbe
- Connecter la conduite d'égalisation

### Drains :

- Au-dessus d'un espace fini, installer un bac de drainage secondaire

### Circuit d'air :

- Boucher toutes les ouvertures inutilisées

### Charge :

- Charger conformément aux instructions

### Installations avec des réfrigérants de classe A2L (se référer au Manuel d'installation, d'utilisation et de maintenance du kit de détection de réfrigérant d'ADP) :

- Marquage du réfrigérant approprié et du dispositif de mesure sur la plaque signalétique.
- Apposez les étiquettes d'avertissement appropriées pour les installations avec des réfrigérants de classe A2L.
- Confirmez l'installation du système de détection de réfrigérant (RDS) et des manchons de mitigation pour les applications de four et de bobine.