

Specification Guide

Moduleflex eFurnace™



Contents	Page
Features	2
Physical Data.....	2
Blower Performance	3
Dimensions.....	4
Wiring Diagram.....	4
Thermostat Connections	5

Product Nomenclature

Series		Blower Motor		Size / Airflow		Cabinet Width		Electric Heat		Line Voltage Connection		Revision	
AEF = ADP Moduleflex eFurnace		E = 5-speed ECM motor		3 = 3 Ton / 600-1200 CFM 4 = 4 Ton / 1000-1600 CFM 5 = 5 Ton / 1400-2000 CFM		A = 14.25" B = 17.5" C = 21.0" D = 24.5"		00 = No heat		S = Stripped Wires		Front Panel Color H = Galvanized A = Armstrong G = ICP J = Goodman/Amana N = Nordyne P = Carrier/Bryant/Payne R = Rheem/Ruud T = Trane/American Std. Y = York/Luxaire/Coleman Cabinet Color H = Galvanized Voltage 1 = 120 V, 60 Hz, 1 ph., with time delay	



Product improvement is a continuous process at Advanced Distributor Products. Therefore, product specifications are subject to change without notice and without obligation on our part. Please contact your ADP representative or distributor to verify details.

© 2025 by Advanced Distributor Products. All rights reserved.

Application Features

- True Replacement for an existing gas furnace
- Multi-position- Up-flow downflow, and horizontal left or right airflow
- Industry standard A,B,C,D cabinet widths
- Compact design for tight spaces – only 30" tall
- 120 Volt to use existing service in a gas furnace replacement
- Perfectly matches ADP multi-position, downflow, and horizontal cased coils.
- Bottom and side return capable (both sides)
- Painted front panel available to match coil color

Cabinet Features

- Blower panel with handle and only six (6) screws for easier access
- Cabinet lined with high quality 5/8" foil faced insulation
- Slide-out blower assemblies for easy access to blower motor
- Certified to 1.4% or less cabinet air leakage as per ASHRAE 193-210
- Dynamically balanced blowers for quiet, vibration-free operation

Electrical Features

- 120V 60Hz, 1 Phase, 5-speed high-efficiency ECM motor
- Terminal board with screw down connections for thermostat wiring
- Fan time delay built-in (1 second on, 45 seconds off)
- Line voltage and thermostat connections can be made on left or right side of cabinet

Physical Data		Model			
		AEFE3A*	AEFE4B*	AEFE5C*	AEFE5D*
Nominal CFM Range		400 - 1200	800 - 1600	1000 - 1800	1200 - 2000
Available Voltage		120 V, 60 Hz, 1 ph.			
Transformer Size & Type		40 VA, Class 2			
Blower Wheel (dia." x width")		10 X 6	10 X 8	10 X 10	10 X 10
Blower Electrical Data	Motor H. P.	1/2	3/4	1	1
	F. L. A. @ 120 V	5.8	8.7	11.1	11.1
	MCA	7.3	10.9	13.9	13.9
	Circuit Breaker Amps	15	15	15	15
Approximate Weight (lbs)		80	88	92	101
Approximate Packaged Weight (lbs)		84	93	98	107

Blower Performance

Unit Size	Tap	Airflow (CFM) vs. External Static Pressure (inches W.C.)									
		0.1	0.2	0.3	0.4	0.5	0.6	0.7	0.8	0.9	1.0
AEFE3A*	1	692	642	588	538	491	414	353	298	263	-
	2	876	831	797	757	716	675	635	596	554	498
	3	1066	1029	994	966	935	903	869	839	806	773
	4+	1189	1151	1117	1091	1065	1041	1010	981	953	923
	5*	1378	1343	1314	1288	1263	1246	1218	1195	1169	1145
AEFE4B*	1	1097	1048	996	953	909	861	815	765	716	656
	2	1307	1259	1214	1181	1142	1105	1064	1025	989	950
	3	1481	1438	1397	1363	1335	1303	1266	1234	1202	1168
	4+	1656	1614	1582	1555	1523	1490	1460	1429	1399	1371
	5*	1767	1727	1692	1655	1623	1592	1564	1533	1502	1471
AEFE5C*	1	1525	1458	1394	1339	1286	1228	1167	1106	1038	962
	2	1693	1638	1584	1530	1475	1420	1372	1316	1259	1207
	3	2079	2033	1982	1951	1905	1858	1820	1781	1741	1698
	4+	1845	1795	1743	1691	1639	1592	1542	1491	1439	1388
	5*	2223	2156	2104	2055	2011	1981	1930	1887	1847	1801
AEFE5D*	1	1438	1388	1335	1286	1240	1192	1138	1088	1033	978
	2	1610	1560	1522	1480	1430	1381	1340	1292	1245	1201
	3	1964	1922	1886	1866	1831	1791	1760	1724	1688	1651
	4+	1779	1740	1705	1664	1624	1578	1544	1504	1460	1416
	5*	2089	2037	1997	1959	1924	1898	1859	1822	1783	1747

Notes :

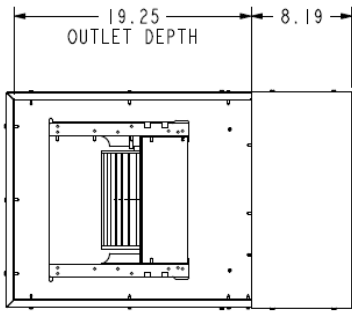
1. All data is given while modular blower is operating without a DX coil and without filter.
2. Speed tap 3 is factory set cooling speed.
3. Speed taps marked with an asterisk (*) denote highest cooling speeds.
4. Speed taps marked with a plus sign (+) denote highest heating speed.

Approved field installed duct heaters

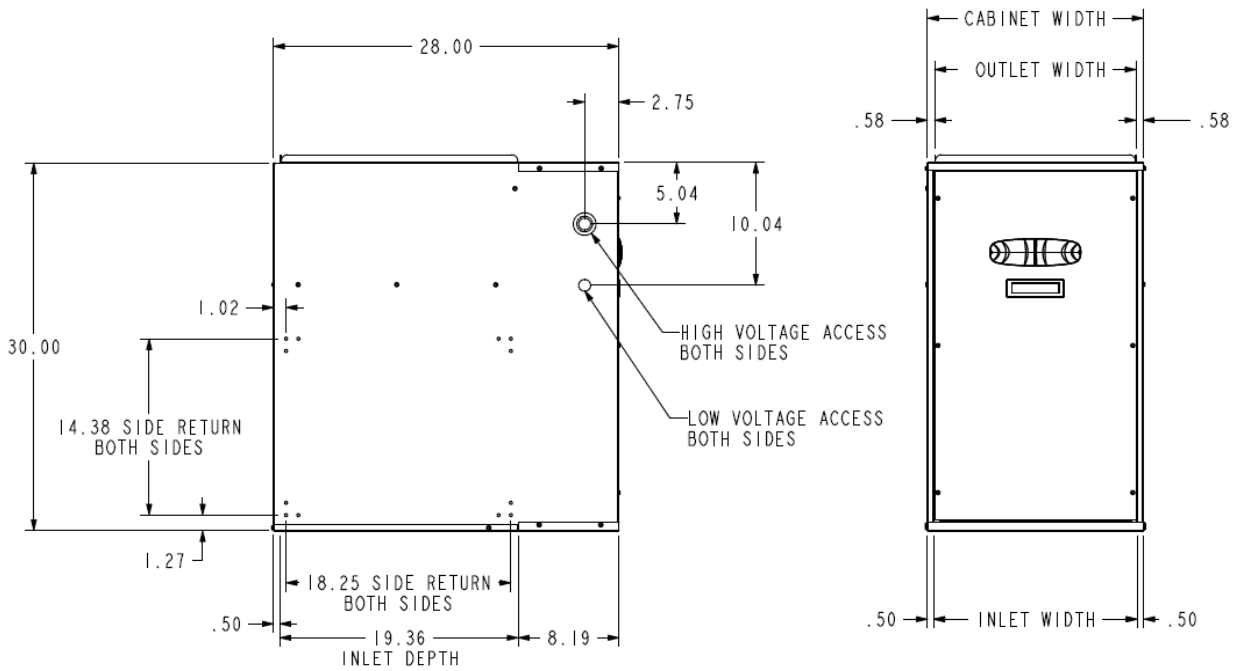
Note: Follow heat kit manufacturer's installation instructions

Model	Heat Kit Part No.
AEFE3A*	Warren - SL10A
AEFE4B*	Warren - SL15A
AEFE5C*	Warren - SL20A
AEFE5D*	Warren - SL20A

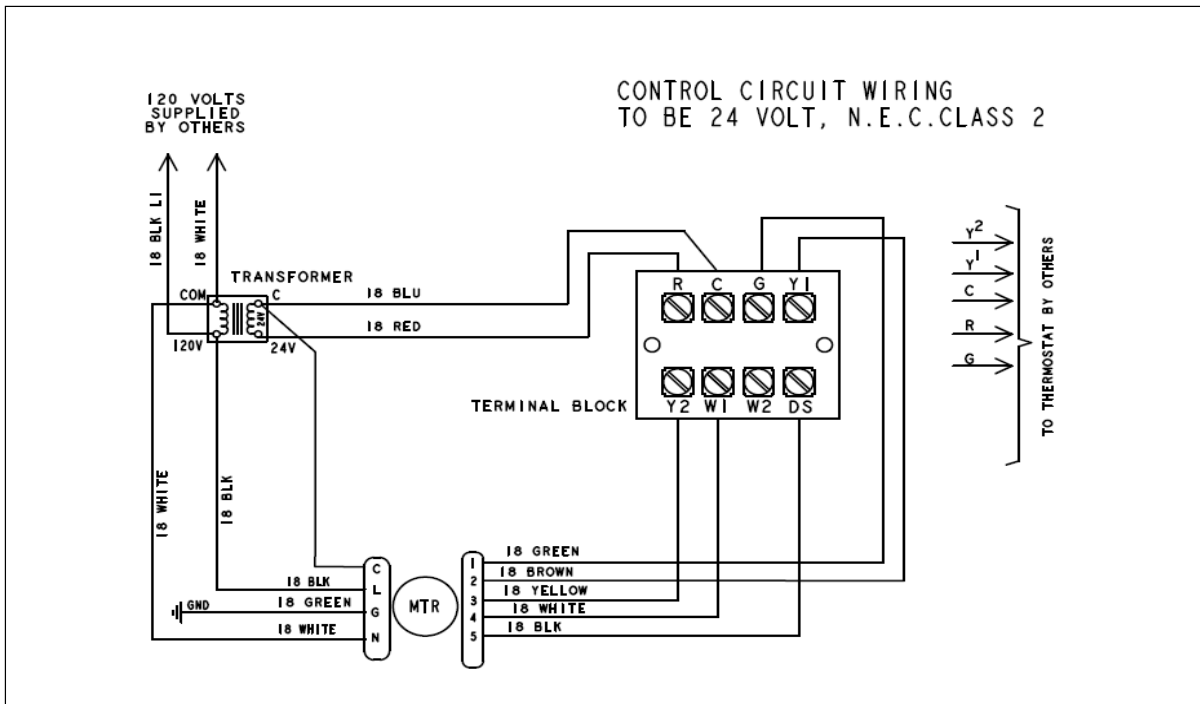
Dimensions



MODEL	CABINET WIDTH	INLET WIDTH	OUTLET WIDTH
AEF3A*	14.25"	13.25"	13.09"
AEF4B*	17.50"	16.50"	16.34"
AEF5C*	21.00"	20.00"	19.84"
AEF5D*	24.50"	23.50"	23.34"



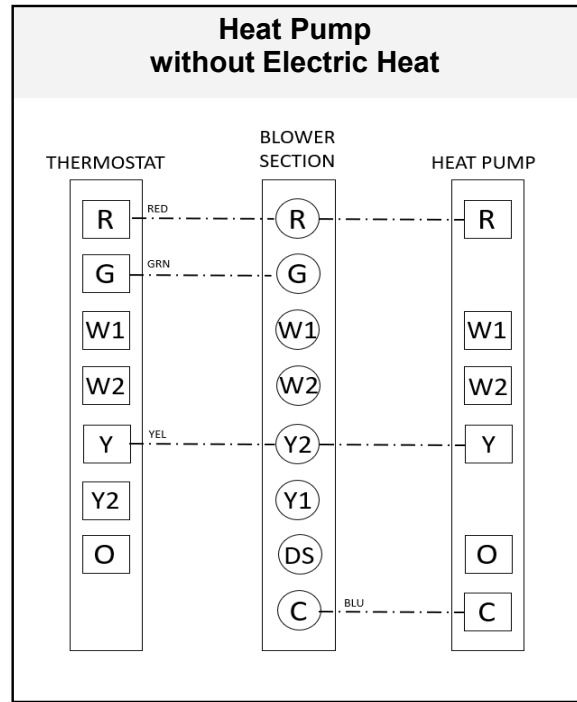
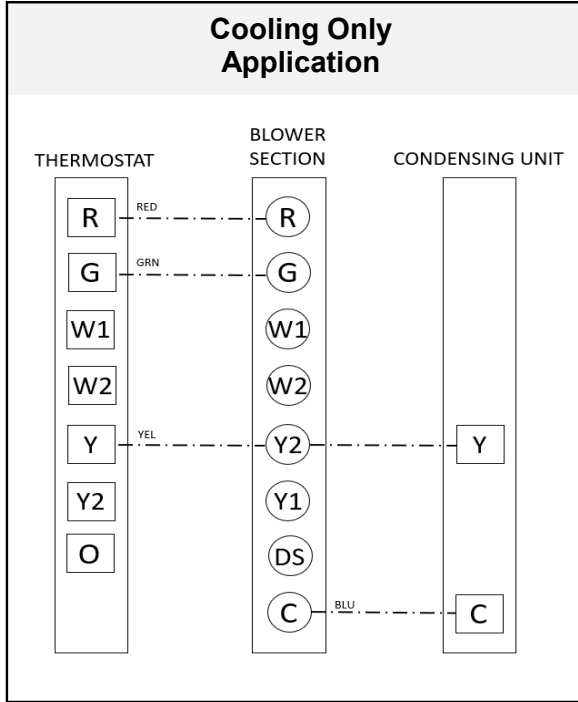
Wiring Diagram



Thermostat Connections

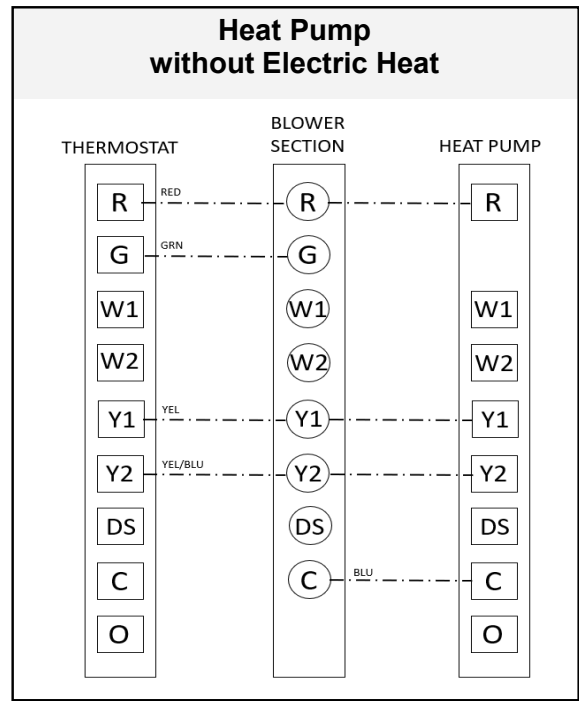
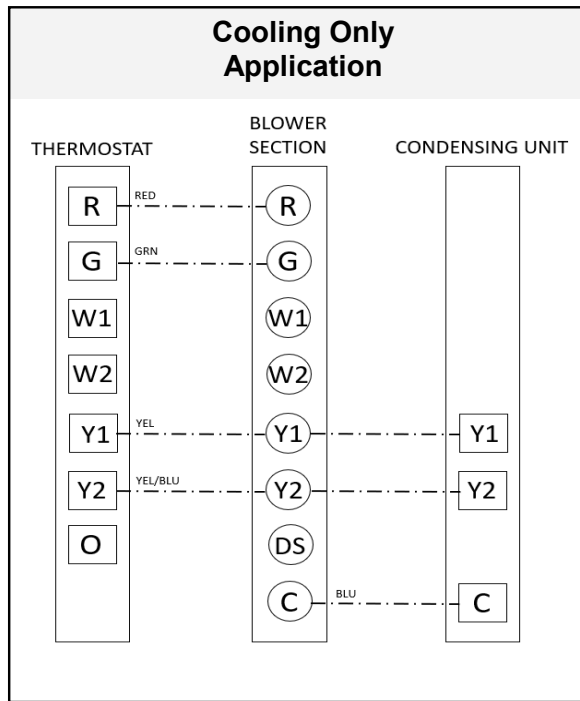
Typical 1- Stage Thermostat Connections

Maximum allowable current draw from power-stealing thermostats or other accessories is 18 mA. Exceeding this value may cause the blower section control board to operate abnormally.



Typical 2- Stage Thermostat Connections

Maximum allowable current draw from power-stealing thermostats or other accessories is 18 mA. Exceeding this value may cause the blower section control board to operate abnormally.





2140 Lake Park Blvd, Richardson, TX 75080
www.adpnow.com