

Specification Guide

Moduleflex eFurnace™



Contents	Page
Features	2
Physical Data.....	2
Blower Performance	2
Dimensions.....	3
Wiring Diagram.....	3
Thermostat Connections	4

Product Nomenclature

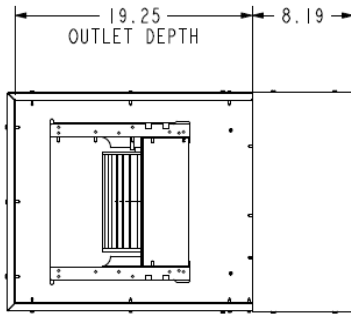
	A E F E 3 A 00 S 1 H H 1				
Series AEF = ADP Moduleflex eFurnace					Revision
Blower Motor E = 5-speed ECM motor					Front Panel Color H = Galvanized A = Armstrong G = ICP J = Goodman/Amana N = Nordyne P = Carrier/Bryant/Payne R = Rheem/Ruud T = Trane/American Std. Y = York/Luxaire/Coleman
Size / Airflow 3 = 3 Ton / 600-1200 CFM 4 = 4 Ton / 1000-1600 CFM 5 = 5 Ton / 1400-2000 CFM					Cabinet Color H = Galvanized
Cabinet Width A = 14.25" B = 17.5" C = 21.0" D = 24.5"					
Electric Heat 00 = No heat					Voltage 1 = 120 V, 60 Hz, 1 ph., with time delay
Line Voltage Connection S = Stripped Wires					



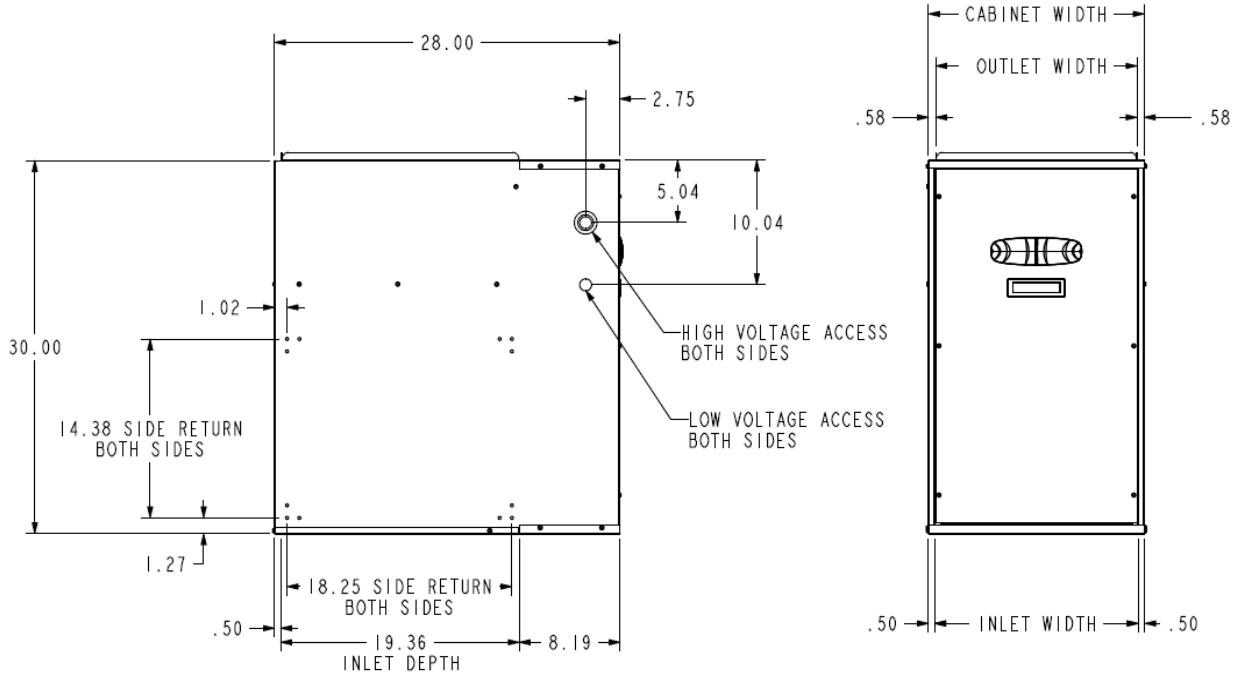
Product improvement is a continuous process at Advanced Distributor Products. Therefore, product specifications are subject to change without notice and without obligation on our part. Please contact your ADP representative or distributor to verify details.

© 2023 by Advanced Distributor Products. All rights reserved.

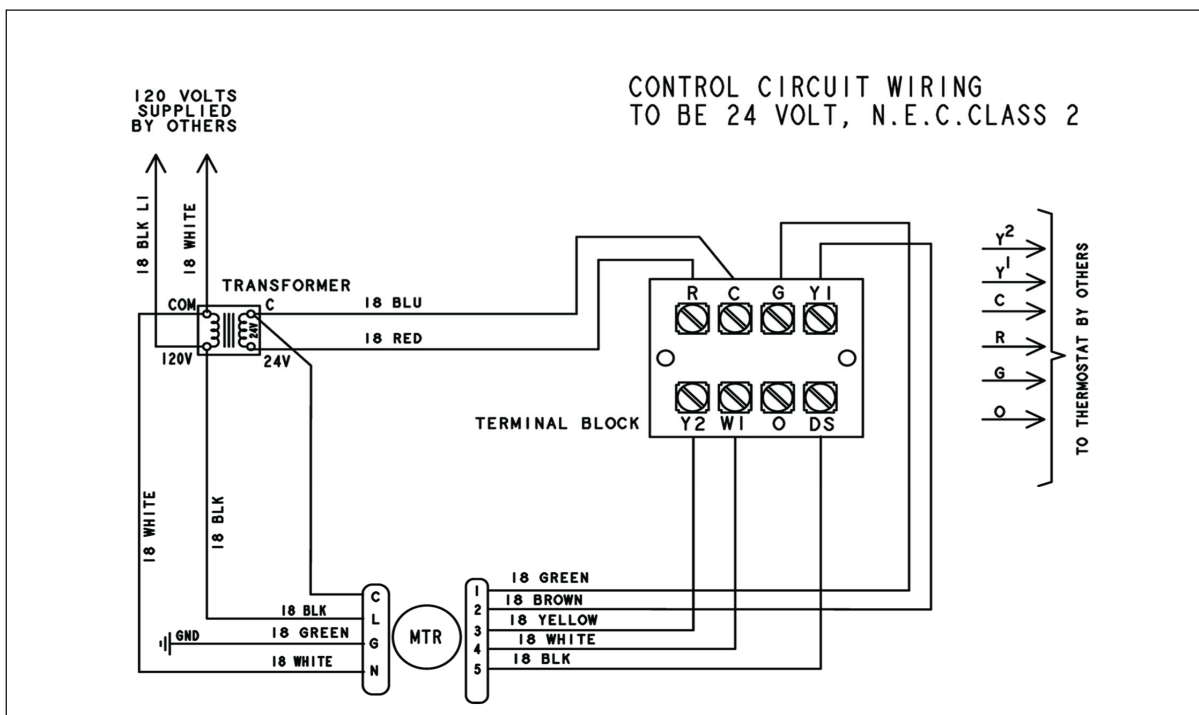
Dimensions



MODEL	CABINET WIDTH	INLET WIDTH	OUTLET WIDTH
AEF3A*	14.25"	13.25"	13.09"
AEF4B*	17.50"	16.50"	16.34"
AEF5C*	21.00"	20.00"	19.84"
AEF5D*	24.50"	23.50"	23.34"



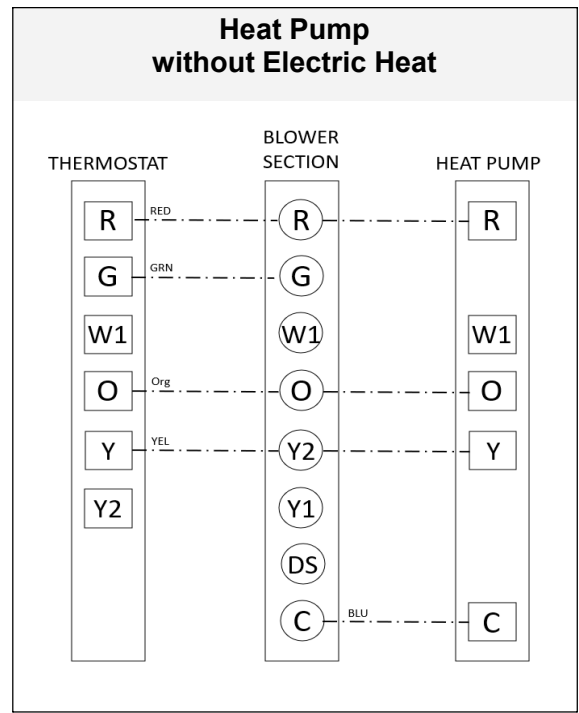
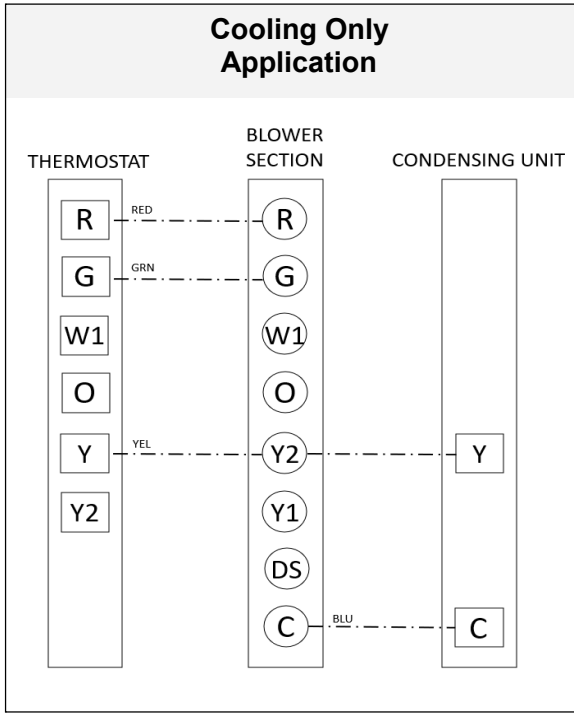
Wiring Diagram



Thermostat Connections

Typical 1– Stage Thermostat Connections

Maximum allowable current draw from power-stealing thermostats or other accessories is 18 mA. Exceeding this value may cause the blower section control board to operate abnormally.



Typical 2– Stage Thermostat Connections

Maximum allowable current draw from power-stealing thermostats or other accessories is 18 mA. Exceeding this value may cause the blower section control board to operate abnormally.

