

**Job:** \_\_\_\_\_

**Location:** \_\_\_\_\_

**Schedule No.:** \_\_\_\_\_

**System Designation:** \_\_\_\_\_

**Engineer:** \_\_\_\_\_

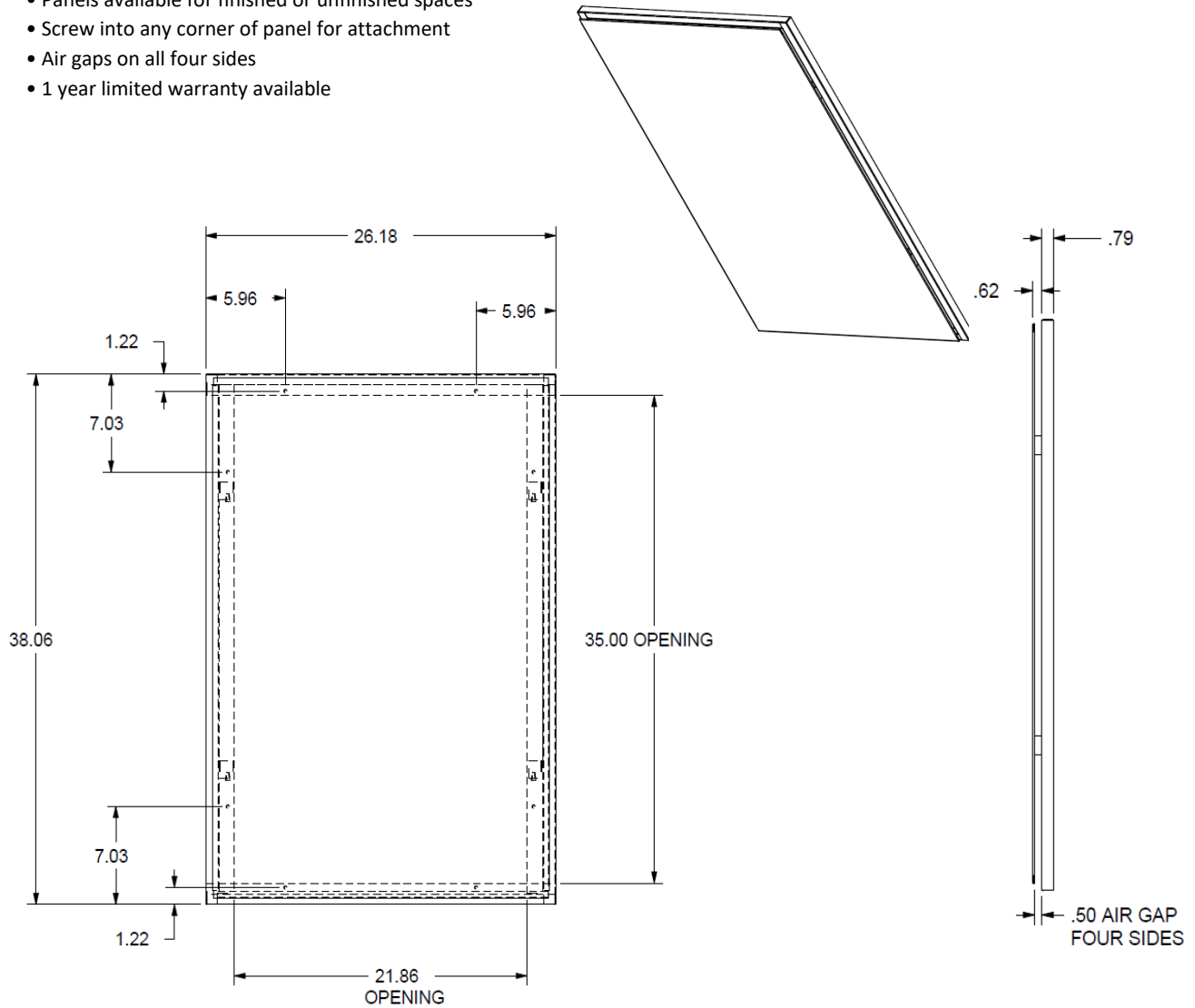
**Architect:** \_\_\_\_\_

**Date:** \_\_\_\_\_

**For:** \_\_\_\_\_

**FEATURES**

- Panels available for finished or unfinished spaces
- Screw into any corner of panel for attachment
- Air gaps on all four sides
- 1 year limited warranty available



SPECIFICATIONS		18 -37	39
<b>Decorative Wall Panel*</b> (For finished space)		65517450	67441650
Decorative panel Dimensions (in)	Overall Length (A)	38"	43"
	Frame Width (B)	26"	26"
	Open air return area	494 sq in	559 sq in
	Weight	12lb	14lb

\*Closet panel available for unfinished spaces - contact ADP

Product improvement is a continuous process at Advanced Distributor Products. Therefore, product specifications are subject to change without notice and without obligation on our part. Please contact your ADP representative or distributor to verify details.



---

2175 West Park Place Boulevard  
Stone Mountain, GA 30087  
[www.adpnow.com](http://www.adpnow.com)